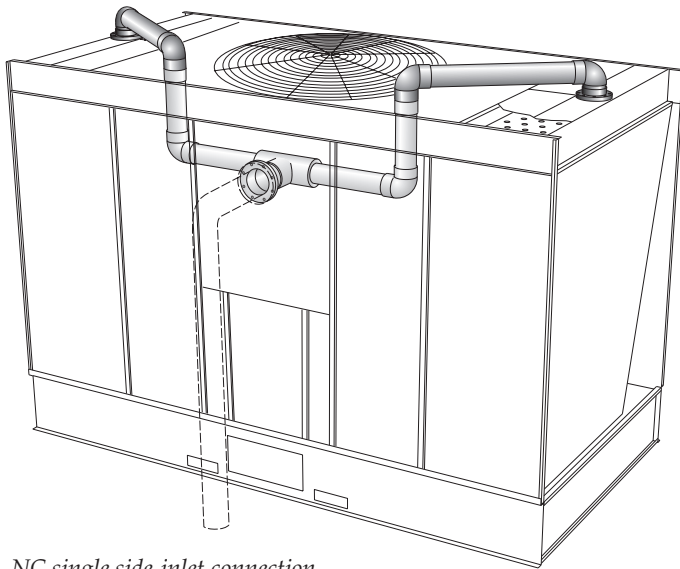


SystemConnect™ Inlet



NC single side-inlet connection

SINGLE INLET SYSTEM

All piping from the single inlet connection to the distribution basins is part of the tower package. Installation and design costs are reduced and the need for extra piping and supports is eliminated. The single bottom inlet connection is perfect for multicell applications, keeping all the inlet piping below the tower.

Balancing water flow between the sides of each tower cell is no longer necessary with the single inlet system. The Marley AutoBalance™ system takes care of that—and without creating maintenance problems for you.

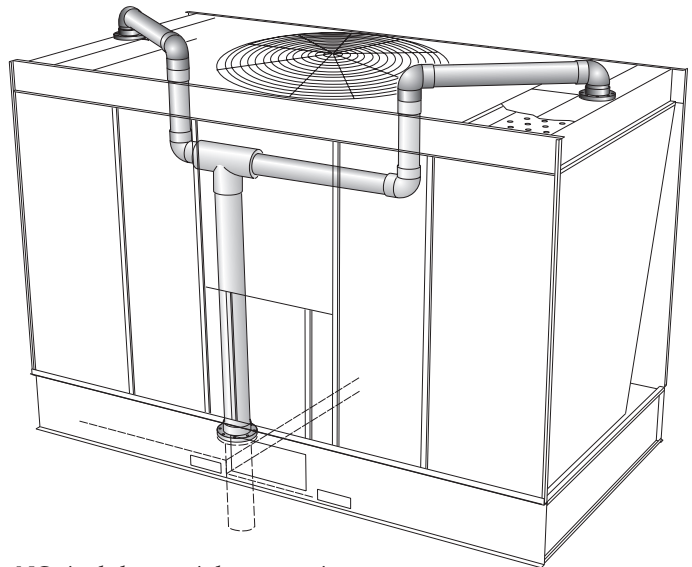
SystemConnect's single inlet design is simple and clean. The AutoBalance feature is integral to the piping system and works without strainers that can clog and disrupt flow. All interior piping is positioned to allow for unobstructed access within the tower through generously sized access doors.

WE'VE GOT THE RIGHT CONNECTIONS

Want better choices in layout and piping connections for your cooling tower? The Marley SystemConnect inlet system gives you more choices to make your layout of the NC® cooling tower both expedient and economical.

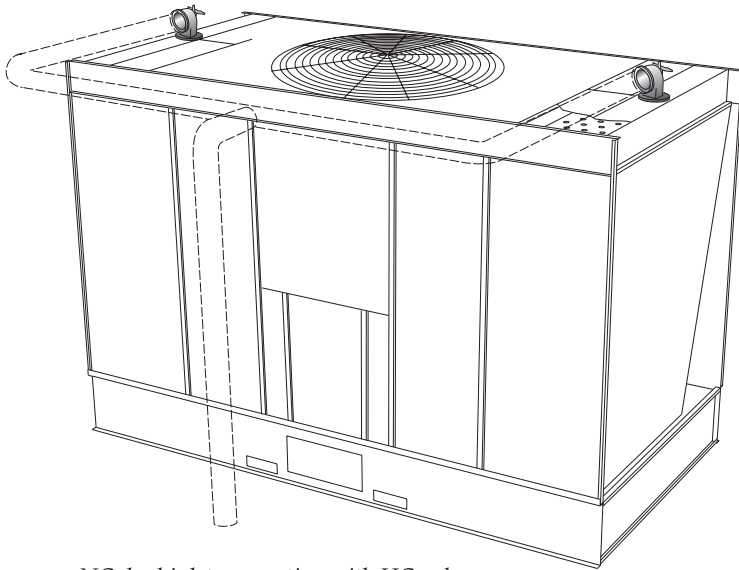
Whether you choose single inlet or dual inlet, you'll get the performance you expect. The entire line of NC cooling towers is certified by the Cooling Technology Institute in accordance with CTI Standard STD-201.

All Marley components, including the single inlet system, are designed and selected to be part of an integrated system. Our total systems approach assures that all the parts work together optimally to provide you the greatest total performance.



NC single bottom-inlet connection

/ The Marley Difference /

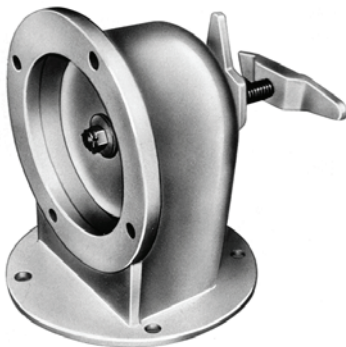


NC dual inlet connection with HC valves

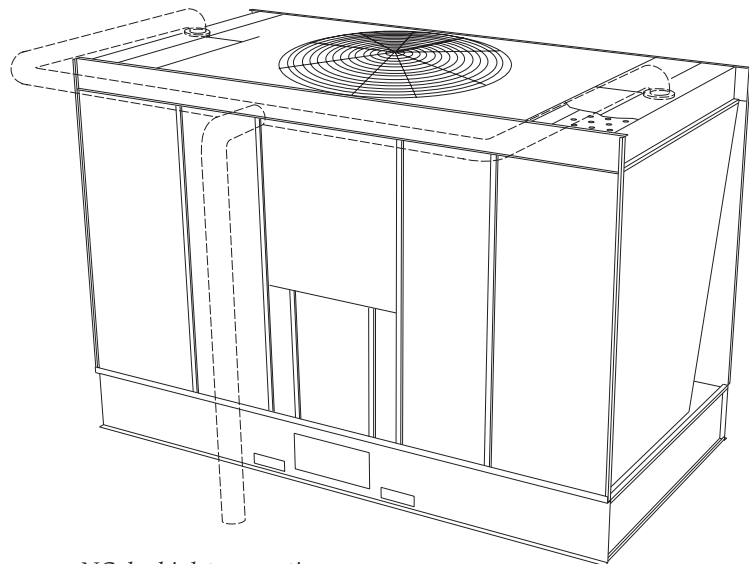
DUAL INLET SYSTEM

There are always situations where external inlet piping is still the preferred piping layout choice. SystemConnect's dual inlet remains flexible to your design intentions.

As always, Marley HC balancing valves are available to enhance the utility of this system—and to provide a level of controllability that's a cut above the other systems.



Marley HC balancing valve



NC dual inlet connection

SPX[®]

COOLING TECHNOLOGIES

7401 WEST 129 STREET | OVERLAND PARK, KANSAS 66213 UNITED STATES | 913 664 7400 | spxcooling@spx.com | spxcooling.com

In the interest of technological progress, all products are subject to design and/or material change without notice.
©2009 SPX Cooling Technologies, Inc. | Printed in USA