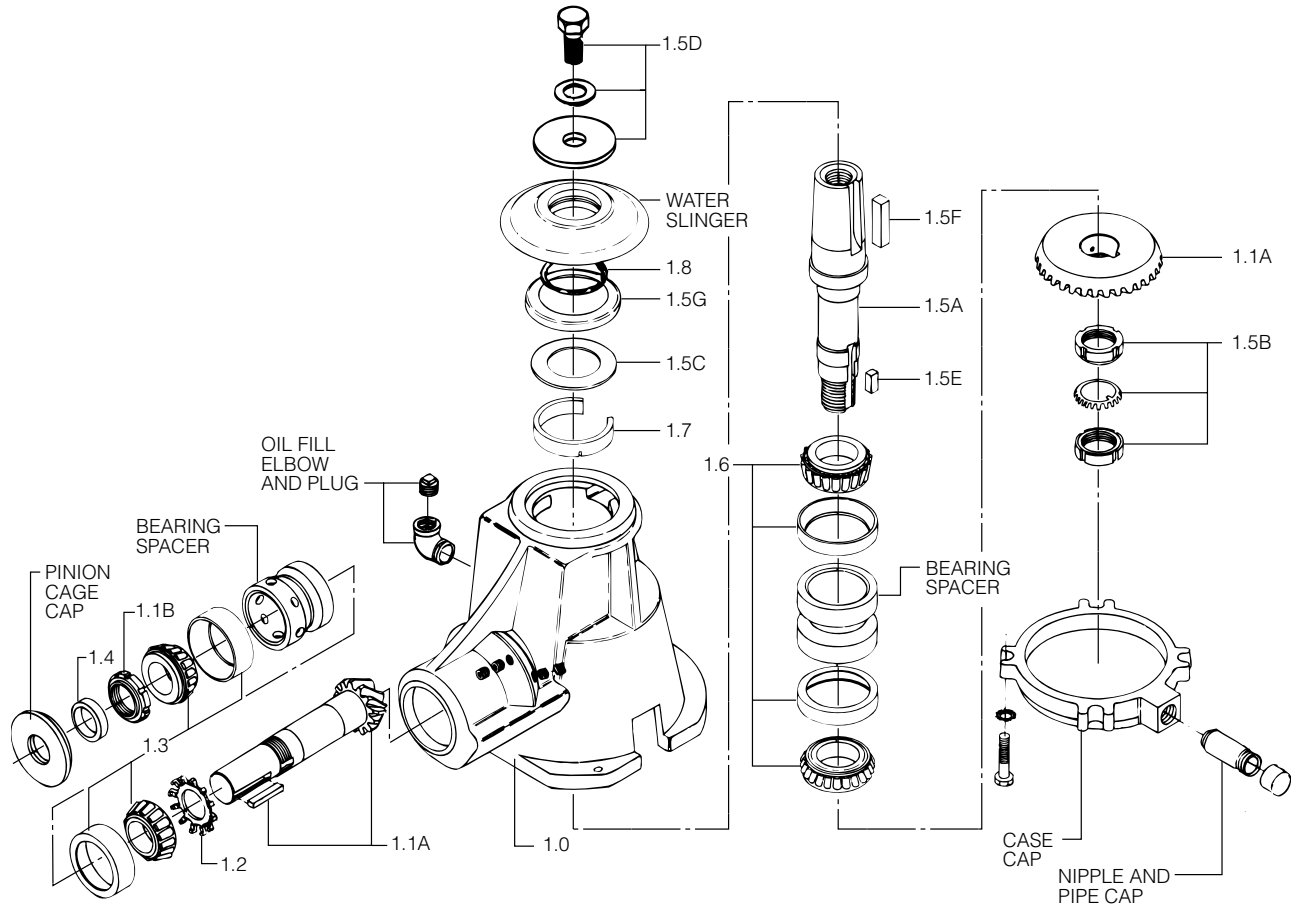


# Geareducer® Parts Manual

## Series 10.1 • Series 10T • Series 10

### Standard and Type CC

PL-10C



## Replacement Parts

### 1.0 COMPLETE GEAREDUCER ASSEMBLY

Ready for installation.

### 1.1 SPIRAL BEVEL GEAR SET

**A.** Set of matched spiral bevel gears including integral pinion shaft with key. Gear ratios as follows: 2.133, 2.615, 3.27, and 3.777.

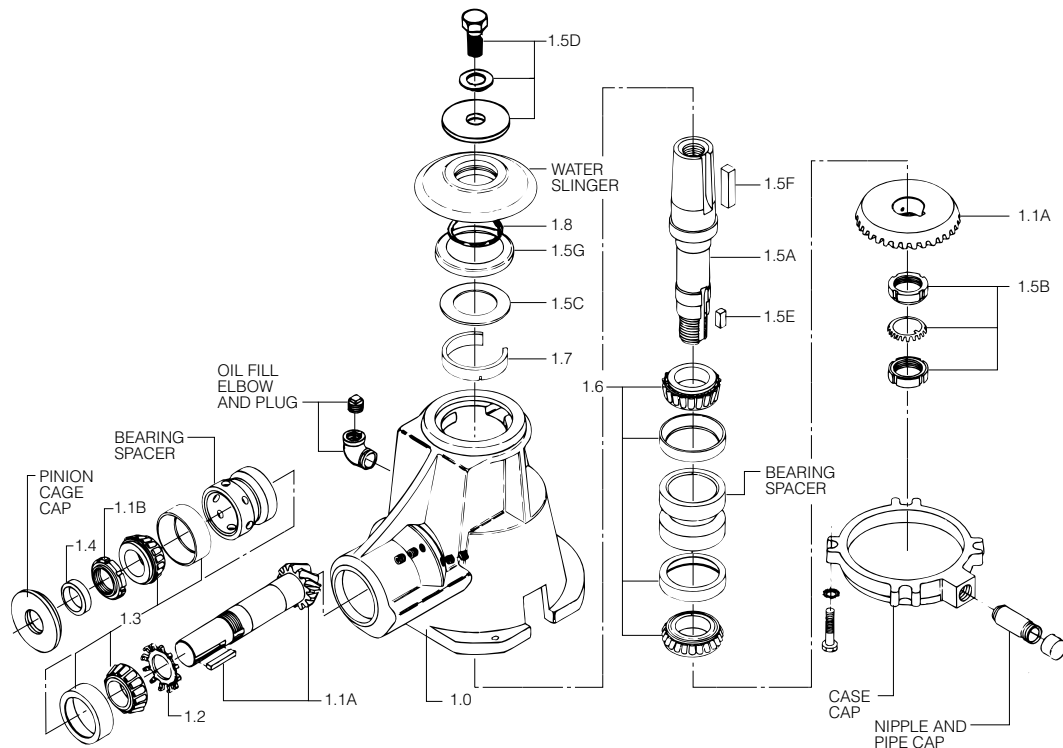
**B.** Locknut.

### 1.2 OIL SLINGER, PINION SHAFT.

### 1.3 PINION SHAFT BEARINGS.

Set of two tapered roller bearings, head and tail. Timken No. M88048-M88010, or equal.

over 



## Replacement Parts

- |  |   |
|--|---|
| <p><b>1.4 PINION SHAFT OIL SEAL,</b><br/>Chicago Rawhide No. 11071</p> <p><b>1.5 FAN SHAFT ASSEMBLY</b></p> <p><b>A.</b> Fan shaft.</p> <p><b>B.</b> Fan shaft locknuts and lackwasher.</p> <p><b>C.</b> Fan shaft oil slinger.</p> <p><b>D.</b> Fan hub retaining hardware.</p> <p><b>E.</b> Lower fan shaft key. This is a high strength key and must be obtained from Marley.</p> <p><b>F.</b> Upper fan shaft key. High strength key is required on assemblies with straight fan shaft extension. This high strength key must be obtained from Marley.</p> <p><b>G.</b> Inner stamping, Timken No. T-58663 or equal.</p> | <p><b>1.6 FAN SHAFT BEARINGS, SET OF TWO.</b></p> <p><b>A.</b> Upper, tapered roller bearing, Timken No. 11163-11300 or equal.</p> <p><b>B.</b> Lower, tapered roller bearing, Timken No. 11157-11300 or equal.</p> <p><b>1.7 OIL CONTROL TUBE.</b></p> <p><b>1.8 FAN SHAFT O-RING.</b><br/>2" ID x 2-1/4" OD x 1/8".</p> |
|--|---|



7401 W 129 Street • Overland Park, KS 66213 • 913 664 7400  
 www.marleyct.com • email: info@marleyct.com  
 In the interest of technological progress, all products are  
 subject to design and/or material change without notice.  
 ©2001 Marley Cooling Technologies Printed in USA

When ordering parts, tower serial number, serial number of Geareducer and model number of Geareducer will be required. Contact the Marley sales office or Marley representative in your area for assistance.