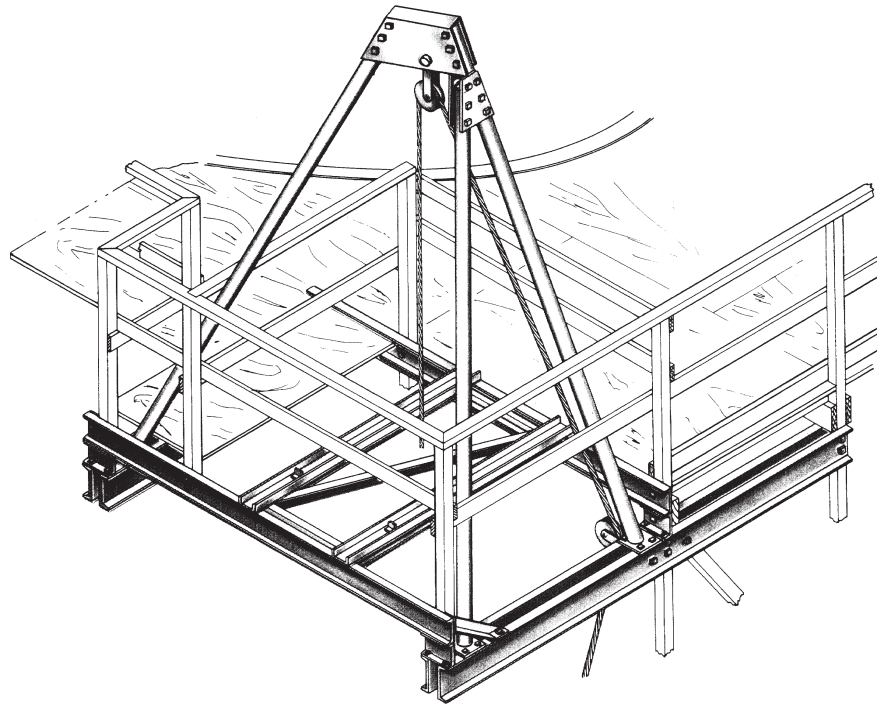


/ Marley Endwall Derrick /



The Endwall Derrick is a permanently installed service accessory that is optional equipment for Marley industrial cooling towers. This safe, simple, rugged device facilitates lowering or hoisting mechanical equipment between the fan deck and ground level. In service, a removable, welded-aluminum track is positioned across the platform opening. Equipment to be handled is placed on a four-wheel dolly* and rolled onto the track to a point beneath the sheave or other hoisting equipment supplied by purchaser. With power from a truck winch or other source, the

equipment is elevated slightly, track and dolly are removed and the equipment is lowered through the opening. The process is reversed to raise the load. With single sheave rigging, the derrick will handle loads up to 3,000 pounds.

In design, the unit is a rigidly braced A-frame, constructed of heavy steel pipe and mounted on a platform extending from the fan deck. Platform supports are double steel channels cantilevered from the main tower columns with single channel cross members that support the track.

All steel pipe, channels, angles and plates are hot dip galvanized to inhibit corrosion.

For safety, wood handrails around the perimeter of the platform and along the walkway are provided, as are removable guards across the inner side of the hoist opening.

*Dolly is part of Tripod. Dolly assembly and cable are not furnished or included in price of derrick.

