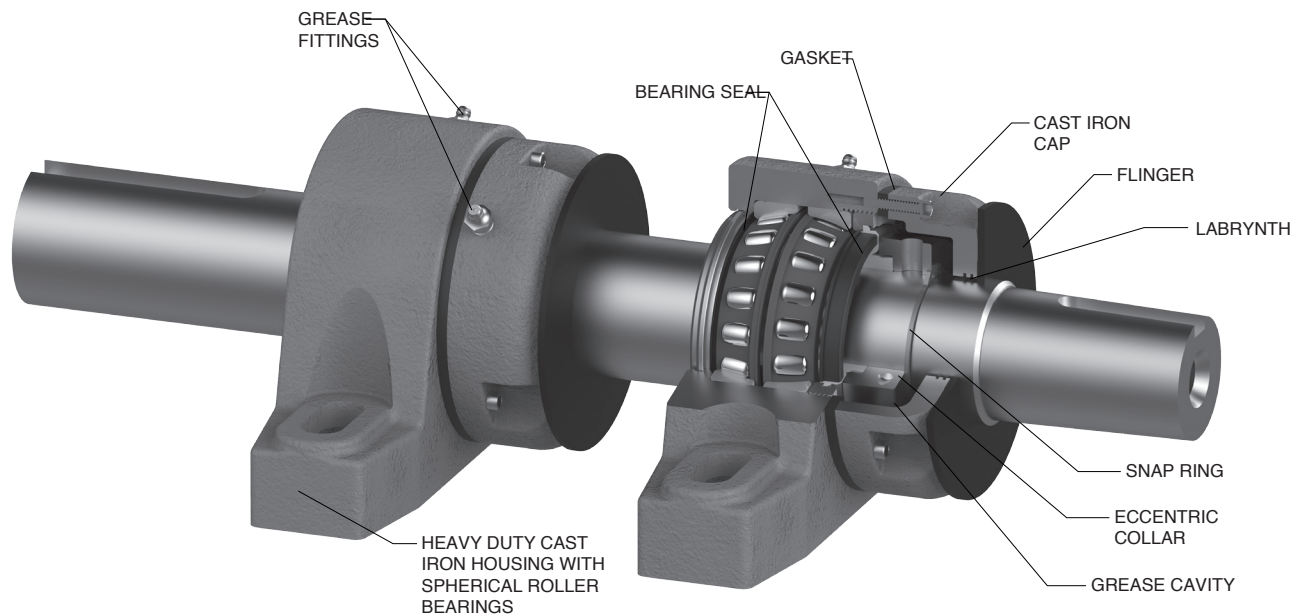


Pro Series pillow block bearing assembly

INSTALLATION - OPERATION - MAINTENANCE

10000013648 ISSUED 11/2021

READ AND UNDERSTAND THIS MANUAL PRIOR TO OPERATING OR SERVICING THIS PRODUCT.



installation

1—If the caps are pre-assembled on the bearings, remove the cap screws holding the caps onto the bearings, and remove the caps. Discard the v-ring seals provided with the bearing caps.

2—Install the snap ring in the fan shaft.

3—Bolt the upper bearing to the support plate with the locking collar on top (toward the fan).

4—Slide the shaft through the upper bearing until the locking collar bears against the snap ring.

5—Slide the cap, gasket, and flinger for the lower bearing onto the shaft, then slide the lower bearing on and bolt it to the support plate. Adjusting bearings as necessary to maintain alignment of both bearings with the shaft vertical (check with a bubble or digital level).

6—Make sure the snap ring bears fully against the upper bearing and tighten the upper bearing locking collar first, then the lower bearing locking collar. To tighten the collars, rotate the eccentric collar in the direction of normal rotation (clockwise as viewed from above) until snug against the shaft, then using a hammer and punch rotate the collar until fully tight against the shaft. Torque the set screw to 460 in-lb.

7—Position the caps so that the grease fittings are in the most convenient location. Line up caps, gaskets and housing holes and attach the caps to both upper and lower bearings using the screws provided with the bearings.

8—Slide the rubber flingers down against the top of the caps.

9—Attach grease lines to each bearing - fill grease lines if needed prior to attachment. After grease lines are attached, apply 1 to 2 ounces of grease to each bearing while rotating the shaft slowly.

10—Completely fill the cavity inside the auxiliary bearing caps with grease to provide a grease seal.

11—Install keys in each end of the shaft, then install fan, fan sheave, and drive belt(s).

12—After installation is complete, the shaft and other bare steel components may be coated with a corrosion inhibitor such as LPS3, Rust Veto 342, or other similar compound.

maintenance

Grease required based on tower model. For lubrication frequency and amount refer to tower user manual. During maintenance inject a small amount of grease in cap cavity to purge.

All tower models except AV61xx thru AV67xx:

Mobilith SHC 460 - Mobil Ronex MP - Mobilgrease XHP222 (lithium grease)

Tower models AV61xx thru AV67xx:

Chevron SRI-2 grease (polyurea)

Pro Series pillow block bearing assembly

USER MANUAL

SPX COOLING TECH, LLC

7401 WEST 129 STREET
OVERLAND PARK, KS 66213 USA
913 664 7400 | spxcooling@spx.com
spxcooling.com

10000013648 | ISSUED 11/2021

©2021 SPX COOLING TECH, LLC | ALL RIGHTS RESERVED

In the interest of technological progress, all products are subject to design and/or material change without notice.

