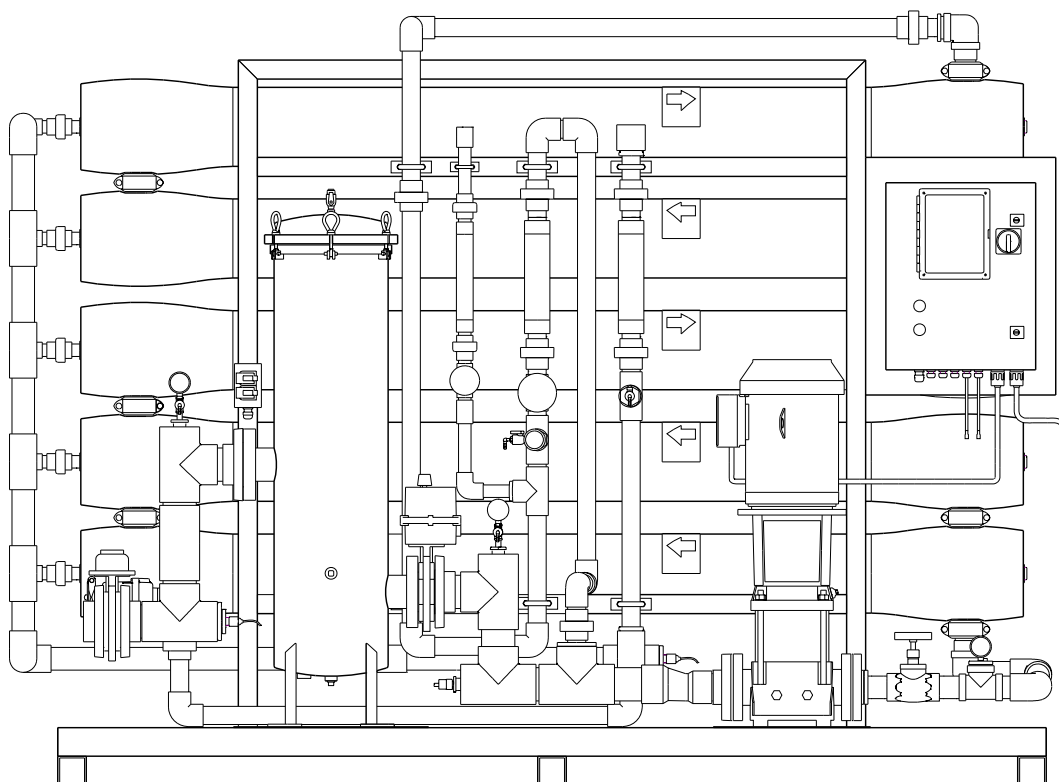


WaterGard™ model WG037 - WG049 - WG055 - WG061 - WG073 - WG091

INSTALLATION - OPERATION - MAINTENANCE

10000022004 ISSUED 6/2023

READ AND UNDERSTAND THIS MANUAL PRIOR TO OPERATING OR SERVICING THIS PRODUCT.



contents

Note

This manual contains vital information for the proper installation and operation of the Marley® WaterGard™ system. Carefully read the manual before installation or operation and follow all instructions. Save this manual for future reference.

Technical Information.....	3
System Requirements.....	4
Schematics and Components	5
Carbon Tank option	6
Rigging	7
Physical System Requirements	7
Electrical Requirements.....	8
Piping Connections.....	8
Startup and Operation.....	9
System Shutdown.....	11
Automatic System Standby and Restart	11
WaterGard Controls.....	12
Operating Status Messages	13
Fault Condition Display.....	15
Controller Adjustment.....	17
Conductivity Calibration	18
Standard Setpoints	20
Troubleshooting.....	21
Maintenance.....	23
Membrane Replacement	24
Parts List	33
System Log	34

The following defined terms are used throughout this manual to bring attention to the presence of hazards of various risk levels, or to important information concerning the life of the product.

Warning

Indicates presence of a hazard which can cause severe personal injury, death or substantial property damage if ignored.

Caution

Indicates presence of a hazard which will or can cause personal injury or property damage if ignored.

Note

Indicates special instructions on installation, operation or maintenance which are important but not related to personal injury hazards.

overview

This User Manual as well as those offered separately on other components, etc., are intended to assure that the WaterGuard system serves you properly for the maximum possible time. Since product warrantability may well depend upon your actions, please read this User Manual thoroughly prior to operation.

This User Manual provides information regarding general installation and operation. Any deviation from, change or modification to the User Manual, the original design conditions or the original intended use of the equipment may result in improper installation and/or operation.

Any such deviation, change or modification shall be the responsibility of the party or parties making such deviation, change or modification. SPX Cooling Tech expressly disclaims all liability for any such deviation, change or modification. The equipment shall be warranted in accordance with the applicable SPX Cooling Tech Certification of Limited Warranty.

Technical Information

Table 1

Specifications						
Model	WG037	WG049	WG055	WG061	WG073	WG091
Performance						
Nominal Rejection	91%					
Rated Product Permeate Flow – gpm*	36.5	48.8	54.7	60.8	73.0	91.2
Recovery	85-90%					
Membranes						
Size	8" x 40"	8" x 40"	8" x 40"	8" x 40"	8" x 40"	8" x 40"
Quantity	6	8	9	10	12	15
Type	Low fouling spiral-wound composite					
Inlet Pressure Range - psig	30-80					

* Product permeate flow rate varies with temperature. All models are rated at 60°F (15.5°C). Product permeate flow for individual elements may vary -20 +25%.

Table 2

Maximum and Minimum Flow					
Model	Product Permeate Flow - gpm			Reject Minimum gpm	Reject Maximum gpm
	Minimum 50°F	Minimum 60°F	Maximum 77°F		
WG037	31	36.50	40	3.10	6.00
WG049	41	48.80	55	4.10	8.25
WG055	47	54.75	60	4.65	9.00
WG061	52	60.80	65	5.16	9.75
WG073	62	73.00	80	6.20	12.00
WG091	78	91.25	95	7.80	14.25

overview

Table 3

Feedwater Requirements	
Maximum Chlorine Concentration	< 0.1 ppm
Maximum Operating Temperature	113° F
Maximum Feedwater Turbidity	1.0 NTU
Maximum Feedwater SDI	5.0
Oil and Grease	Max 0.1 mg/L
Operating pH Range	2-10
Cleaning pH Range	1-12
Sediment Filtration	5 microns

System Requirements

For WaterGard to function correctly these three items are required:

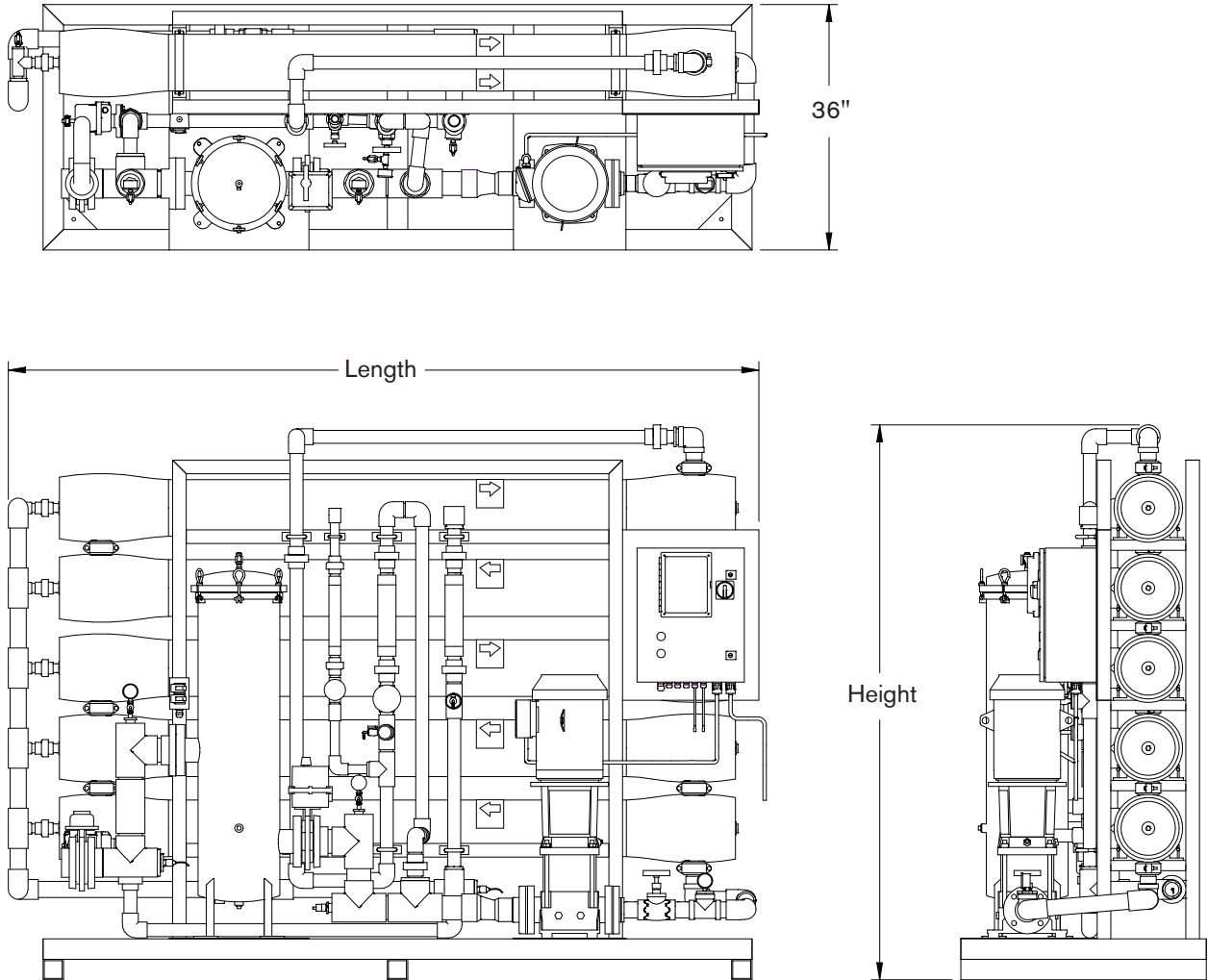
- A WaterGard-ready Marley LLC (liquid level control) or LLC+u water level control system is required to communicate correctly.
- Municipal potable water will have residual chlorine levels that are too high for WaterGard, therefore, a method of removal is required when any water source has a free residual chlorine level above the requirements shown in the Feedwater Requirements **Table 3**. This can either be done by purchasing a carbon tank through SPX Cooling or using liquid chemical chlorine destruct from a chemical water treater.
- A conductivity blowdown controller is required to monitor the water saving WaterGard offers. This can be purchased with the WaterGard system.

WaterGard can remove up to 91% of an individual ion. How much of an individual ion is removed depends on the ion. In some cases, the incoming water in a galvanized cooling tower may have too low of a calcium value (<50 ppm as CaCO₃) making the water corrosive after WaterGard treatment. In these situations it is recommended to initially fill the system with untreated potable water. If the system level is low enough the internal bypass will automatically fill with mixture of treated and untreated water. Otherwise, if the system level isn't low enough the external bypass will need to be engaged. Once the system is full, WaterGard can be started and operated normally. For additional information on soft water and its impact on tower metallurgy consult you Marley sales representative.

WaterGard operates by rejecting ions down a small, concentrated reject waste stream. This is typically 10-15% of the feedwater stream. Due to this, water savings are not possible when the evaporative system operates at higher cycles of concentration. Anything beyond 7 cycles of concentration can result in increased water usage, not water savings.

overview

Schematics and Components



WG037 through WG091 Component Dimensions (WG061 shown)

Figure 1

Model	Length	Height
WG037	110"	76.5"
WG049	110"	76.5"
WG055	147"	76.5"
WG061	110.5"	81.5"
WG073	147"	76.5"
WG091	147"	80.5"

overview

Carbon Tanks *option*

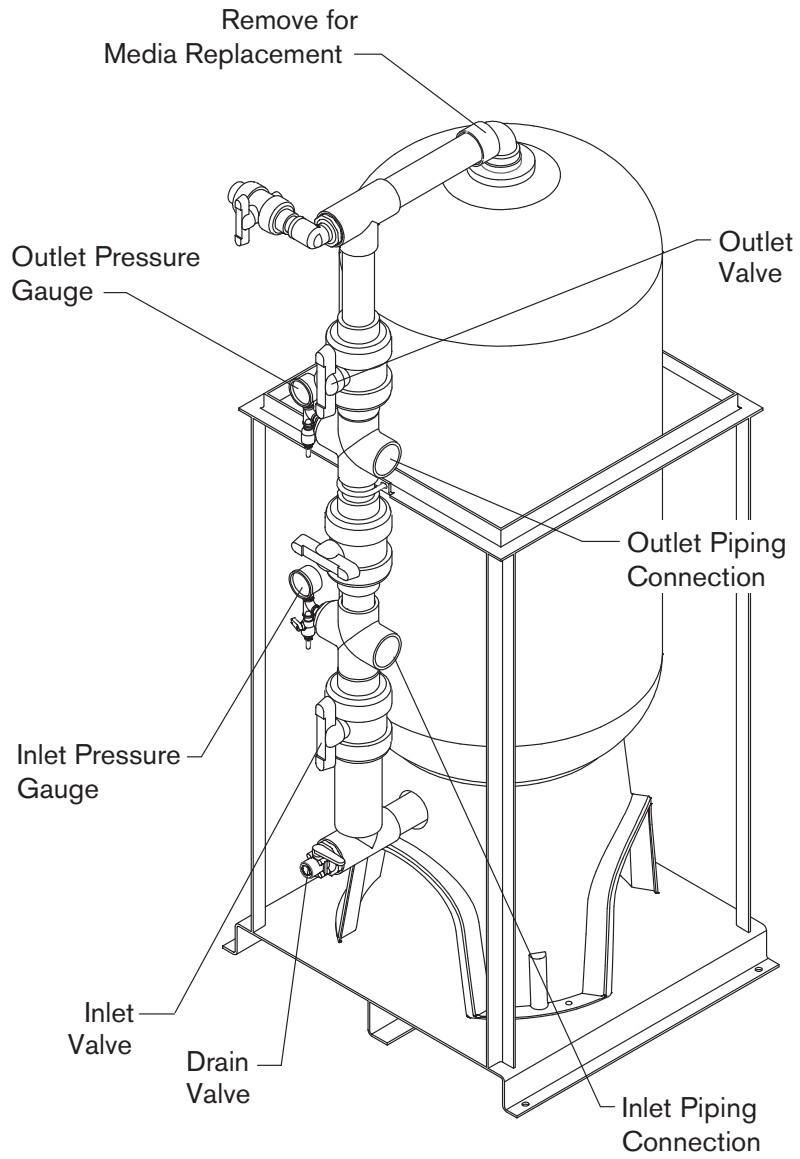


Figure 2

Carbon Filter 10 cu ft

installation

Rigging

The WaterGard unit should be lifted and moved by a forklift. If the WaterGard unit is lifted by a crane it should be lifted from the bottom using a platform. The unit should be secure to the platform using the anchor locations. A test lift should be done in order to determine the weight centerline.

Do not allow rigging straps to contact system components.

Caution

Physical System Requirements

- WaterGard is for indoor use **only**. If the end user desires the unit to be placed outdoors it is the sole responsibility of the end user to protect the unit from freezing and inclement weather conditions.
- Ideally WaterGard should be located out of direct sunlight. If this is not possible some components may experience discoloration from direct UV rays due to sunlight. This is mainly an aesthetic issue and won't adversely impact performance.
- WaterGard should be located on a level floor or housekeeping pad.
- Floor load rating must be sufficient to accept WaterGard weight.
- The location must be dry and frost-free.
- Normally, inlet feedwater temperature should not exceed 77°F. Water temperatures above this will negatively impact the quality of the water.
- Feedwater to the WaterGard unit must not contain chlorine or oil. For more information refer to **Table 3**.
- A floor drain close to the unit is required that can carry away the reject flow from the WaterGard system. See **Table 2** for reject flow requirements.
- The water pressure at the WaterGard inlet when in operation, must be a minimum of 30 psi, and must not exceed a maximum of 80 psi. If the pressure exceeds the maximum stated pressure, or if it fluctuates to pressures exceeding 80 psi, install a pressure-reducing valve at the inlet.
- The flow of inlet feedwater supplied to the WaterGard unit shall be an uninterrupted flow at 30 psi minimum, and at a minimum flow rate of twice the rated product permeate water flow of the WaterGard unit purchased. See **Table 2** for minimum flow rates.
- WaterGard should be additionally secured in areas where necessary using seismic and wind rated anchor bolts and straps. All applicable local codes shall be followed.

installation

Electrical Requirements

⚠ Warning

Conduit and water pipes are NOT an acceptable ground.

- All wiring must be properly sized, rated, and connected in accordance with local, state, and national electrical codes. The system is pre-wired and tested at the factory. See provided drawing for additional details.
- The WaterGard unit should be on a dedicated circuit originating at a service disconnect panel. Refer to unit nameplate for correct voltage information.
- The electrical voltage and phase must match and be verified to the WaterGard unit that was purchased.

⚠ Caution

Do not operate pump dry. Damage to pump seal and shaft may occur.

Piping Connections

- All piping, valves, etc. for the product permeate water outlet of the WaterGard unit must be made of PVC, PP, PEX, or corrosion-resistant stainless steel. Local plumbing codes must be observed and followed.
- The carbon filter (option) must be installed upstream from the WaterGard unit. This is designed to remove any residual chlorine present in the feedwater stream. For information on pipe sizes for each unit reference the installation and/or sales drawing.

⚠ Caution

Properly secure all pipe runs. Pipe movement may cause damage to WaterGard and/or pipe. Ensure waste drain line is adequately sized and free flowing to handle the reject flow. Reject flow rates can be found in Table 2.

The drain for the WaterGard unit must be designed and constructed to provide for connection to the sanitary waste system through an air gap of 1" or two pipe diameters, whichever is larger.

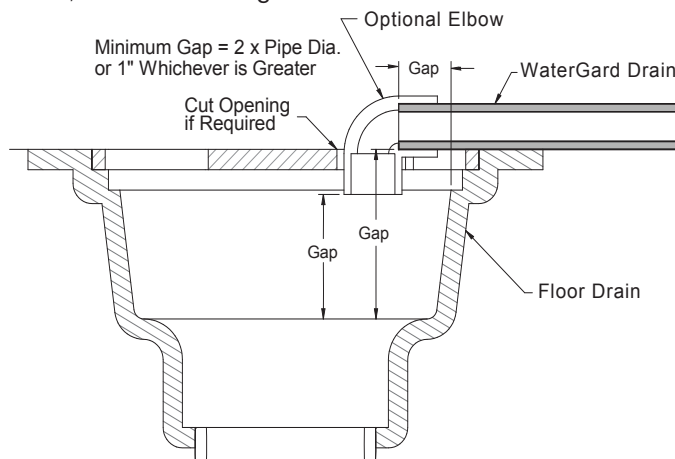


Figure 3

operation

Startup and Operation

Note

WaterGard membranes cannot be used immediately, they must be filled with feedwater and allowed to soak for a minimum of 30 minutes, see step 10.

1. Connect the carbon filter (if present) to your potable water supply. The carbon filter will need to be flushed for 30 minutes before being piped into WaterGard.
2. If liquid chemical chlorine destruct is being used, setup the system upstream of WaterGard and plug in the chemical pump into the provided electrical receptacle on the WaterGard unit. See the installation drawing for more info.
3. Connect WaterGard to your potable water supply. If blending both warm and cold water to improve product's flow rate, do not exceed 77°F (25°C).
4. Verify the installation of the sediment filter cartridge(s) inside its housing.
5. The reject to drain connection coming out of the WaterGard system is for reject water. The water from this will go directly to the drain.
6. Connect the **WaterGard ready LLC or LLC+u** makeup and low level alarm into the appropriate lead suspended from the WaterGard control panel. Refer to the WaterGard specific LLC User Manual for more information.
7. The product permeate water hose or piping should temporarily be placed near the drain to flush any initial impurities from WaterGard before connecting the product's water hose or piping to the point of use or collection basin.
8. Turn on power at disconnect on WaterGard electrical panel
9. Open the WaterGard's feedwater inlet valve.
10. Press the WaterGard controller button to the ON position. A flush will occur with another delay before the pump starts. Once the pump delay starts, turn off WaterGard controller by pressing and holding the system On/Off button. You may have to repeat more than once to fill WaterGard. When water flows out of the reject and product permeate outlets, let the membranes soak for a minimum of 30 minutes.
11. Re-press the WaterGard controller button to the ON position. A 60 second flush then a 5 second delay will occur before the pump starts.



operation

12. Once the pump has started, membrane inlet (pump) pressure should never exceed 135 psi. Use the valve on the discharge side of the pump to adjust the pressure to 105 psi. If pressures over 135 psi are observed it could be an indication of membrane fouling. See **Membrane Replacement** on page 24.
13. Allow WaterGard to run for 30 minutes to allow components to fill with water, purge trapped air and to rinse the membranes of preservatives.
15. Begin to close the reject throttle valve and adjust to a 50:50 ratio flow through the reject flowmeter compared to the product permeate flowmeter.
16. Once WaterGard has stabilized and all impurities and preservatives have been flushed, the water will have to stabilize. Set the product permeate water quality alarm value at the desired limit (Refer to the **Controller Adjustments** on page 17) and adjust the reject throttle to maximize water savings.
17. When WaterGard is running stable and within desired water quality limits, the product permeate hose or piping can be connected to the process system's piping or cooling tower collection basin. During the initial fill of the system, the low-level alarm will be activated, this is by design. This allows for a blended rapid fill of the system. During this phase, both untreated feedwater and treated feedwater will be added to the system until the LLC tells WaterGard to turn off.
18. Record initial operating conditions on the **System Log** sheet on page 34, and then periodically afterwards as determined by your Quality Department or Facilities Manager.

Note

The operating conditions should be recorded at least once each day WaterGard is operated.

operation

System Shutdown

Less than 30 days. Press and hold the SYSTEM ON/OFF key (the display will show POWER OFF).

More than 30 days. Drain the system of as much water as possible by breaking unions or removing tubes. On startup, follow **Startup** procedure.

Automatic System Standby and Restart

System will automatically go into standby during the following conditions:

- Collection Basin full
- Low inlet pressure

Once the collection basin water level drops below its actuation point WaterGard will restart.

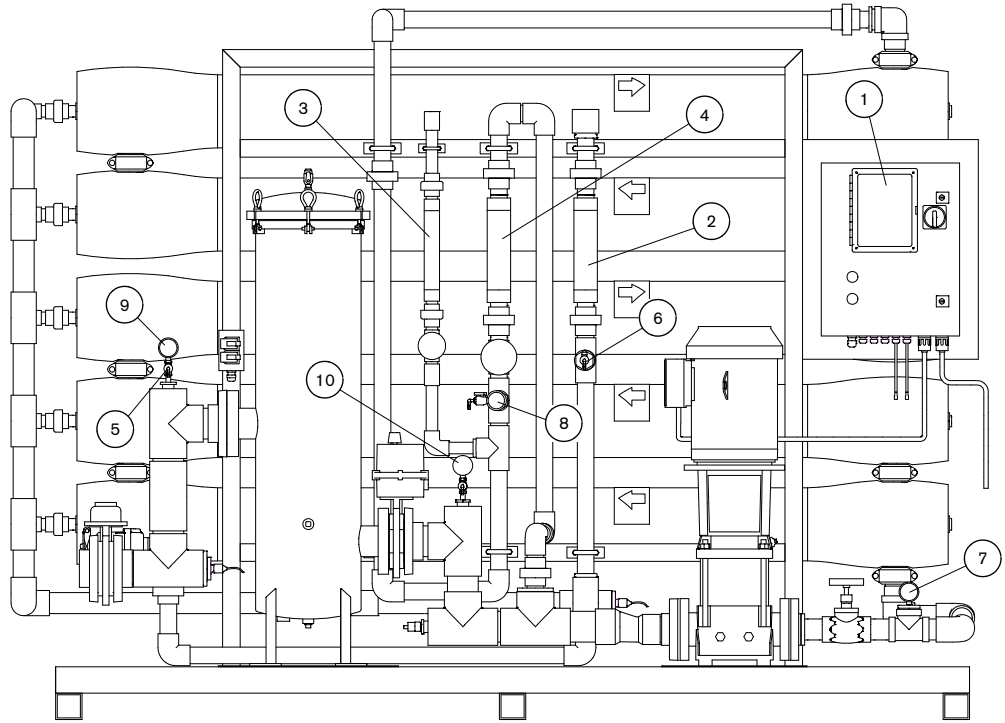
Bypass

System will automatically go into bypass during the following conditions:

- When WaterGard is in a shutdown condition
 - Low inlet pressure and has faulted 5 times or more
 - Pretreat fault has been active for more than 2 seconds
- When the LLC low level alarm has been activated.

operation

WaterGard Controls



1 - Controller	6 - Product Permeate Water Sample Port
2 - Product Permeate Flow Meter	7 - Membrane Inlet Pressure psi
3 - Reject Flow Meter	8 - Reject Pressure psi
4 - Recirculation Flowmeter	9 - Sediment Filter Inlet Pressure psi
5 - Inlet Feedwater Sample Port	10 - Sediment Filter Outlet Pressure psi
Item 10 – Item 9 = Differential Pressure	

Figure 4

Controller Operation

The unit has two modes of operation, a power off mode and an operating mode that are controlled by the SYSTEM ON/OFF key. In the power off mode the unit is effectively off. All outputs are turned off and the display shows POWER OFF. In the operating mode, the unit operates automatically. All inputs are monitored, and the outputs are controlled accordingly. Pressing and holding the power key will toggle the unit from the operating to power off or from power off to operating. If power is removed from the unit, when power is reapplied, the unit will restart in the mode in which the power was removed.

operation

Operating Status Messages

The main operating status of the unit is shown on the top line of the display:

POWER OFF: The unit is off.

RO RUNNING: WaterGard unit is operating.

RO STARTING: WaterGard unit is starting up.

TANK FULL: The unit is shut down due to a collection basin full condition.

PRETREAT: The Unit is shut down due to a pretreat lockout condition.

PRESS FAULT: The unit is shut down to a low-pressure fault condition.

The secondary operating status is shown on the second line of the display.

SYSTEM FLUSHING: WaterGard flush is active. The number is the minutes remaining in the flush cycle.

PUMP DELAY: The unit is in the WaterGard start delay. The number is the seconds remaining before the WaterGard pump starts.

Temperature—The current product permeate water temperature is shown on the second line. If equipped, the line will alternate with feed temperature.

Conductivity—The product permeate conductivity is shown on the second line. If equipped, the third line will show feed conductivity. These values will alternate with water temperature on second line and percent rejection on third line.

WaterGard Runtime—The current operating hours are shown on the bottom line. See **Figure 5**.



Figure 5

```
RO Running
Permeate Cond 87µS
Feed Cond 436µS
RO Runtime 00037 HRS
```

Figure 6

```
RO Running
Water Temp 72°F
Percent Reject 75%
RO Runtime 00037 HRS
```

operation

Warning Messages—Warning messages are also shown on the second line. If any warnings are active, the active warnings will alternate with normal displays for the bottom line.

Tank Full Operation—The unit can be operated with either the Marley LLC or Marley LLC+u water level controls. Refer to the WaterGard specific LLC User Manual for more information. When the LLC or LLC+u has been active for 5 seconds, the unit will shut down on tank full. TANK FULL will show on the display. When the tank full condition clears, the unit will come out of standby. The number is the tank full restart time and the unit will restart when this delay times out.

Pressure Fault—If the pressure fault input becomes active (opens) and stays active for the number of faults programmed (see **Standard Setpoints** on page 20 for default settings), the unit will shut down for a pressure fault with internal bypass activated. The display will show SERVICE FAULT – LOW FEED PRESSURE, and the audible alarm will sound.

Low Pressure Auto Reset—If a pressure fault shut down occurs and the Auto Reset Setpoint is programmed to 0, the unit will remain shut down until manually reset. If the Auto Reset Setpoint (see **Standard Setpoints** on page 20 for default settings) is programmed to a value greater than 0, the unit will automatically clear the pressure fault and attempt to restart after this delay times out. If the number of consecutive pressure faults that occur is more than the allowed number, full shutdown of the unit will occur, and the internal bypass will be activated.

Pretreat—If the pretreat input becomes active (closes) and stays active for 2 seconds, the unit will shut down in a pretreat lockout condition. PRETREAT will show on the display and the unit will remain shut down with the internal bypass activated as long as the pretreat input is active.

Product Permeate Water High Conductivity—If the conductivity reading exceeds the programmed COND limit setpoint for the delay programmed in the conductivity product permeate water setpoint, the HI COND warning message will show on the display. This warning will clear when the conductivity drops below the setpoint. This should be set at 35% of the incoming water conductivity. Follow instructions in **Controller Adjustments** on page 17 to change the permeate alarm value if necessary

When the High Conductivity warning message is active, the WaterGard alarm will be active until the product permeate water conductivity goes back into the acceptance quality range.

operation

Alarm Output–The board Divert/Alarm has been programmed to operate as **Standard Setpoints** on page 20 shows, the relay will energize whenever a shutdown condition occurs. The relay will remain energized if the shutdown condition is active. S1 should be left as a powered output for the bypass feature to function.

Cross Reference Terms on Controller Screen

Tank–Refers to the water collection basin in the tower.

Product Permeate–The water after having gone through the WaterGard membranes

RO–References WaterGard

Fault Condition Display

High Pressure Fault: Occurs when High Pressure Switch Closes

Line 1–Service Fault

Line 2–High System Pressure

Line 3–

Line 4–To Reset Push OFF/ON

Low Pressure Fault: System is responding to low pressure condition per system settings

Line 1–Service Fault

Line 2–Low Feed Pressure

Line 3–

Line 4–Restart in MM:S”

Pre Treat Fault: Pretreat Switch is closed indicating problem with the pretreat system

Line 1–Service Fault

Line 2–Pretreat

Line 3–

Line 4–Check Pretreat Sys



operation

Permeate Conductivity Fault: Permeate conductivity is higher than the alarm setpoint

Line 1–Service Fault

Line 2–Permeate TDS xxx ppm or Permeate Cond xxx μ S

Line 3–Alarm SP xxx ppm or Alarm SP xxx μ S

Line 4–To Reset Push OFF/ON

Conductivity Probe Error messages:

Line 2 –Over-range

Measurement is out of range for the circuit, probe may also be shorted

Line 2–Probe shorted

Short circuit detected on temperature sensor in probe

Line 2–Probe not detected

Open circuit detected on temperature sensor in probe

Line 2–Probe Startup 1

Internal reference voltage too high to make valid measurement

Line 2–Probe Startup 2

Internal reference voltage too low to make valid measurement

Line 2–Probe Startup 3

Internal excitation voltage too high to make valid measurement

Line 2–Probe Startup 4

Internal excitation voltage too low to make valid measurement

operation

Controller Adjustment

With the system ON, press and hold the UP and DOWN arrows and then press System On/Off. **Figure 7** shows the settings that can be changed at the controller. ▶▶▶▶

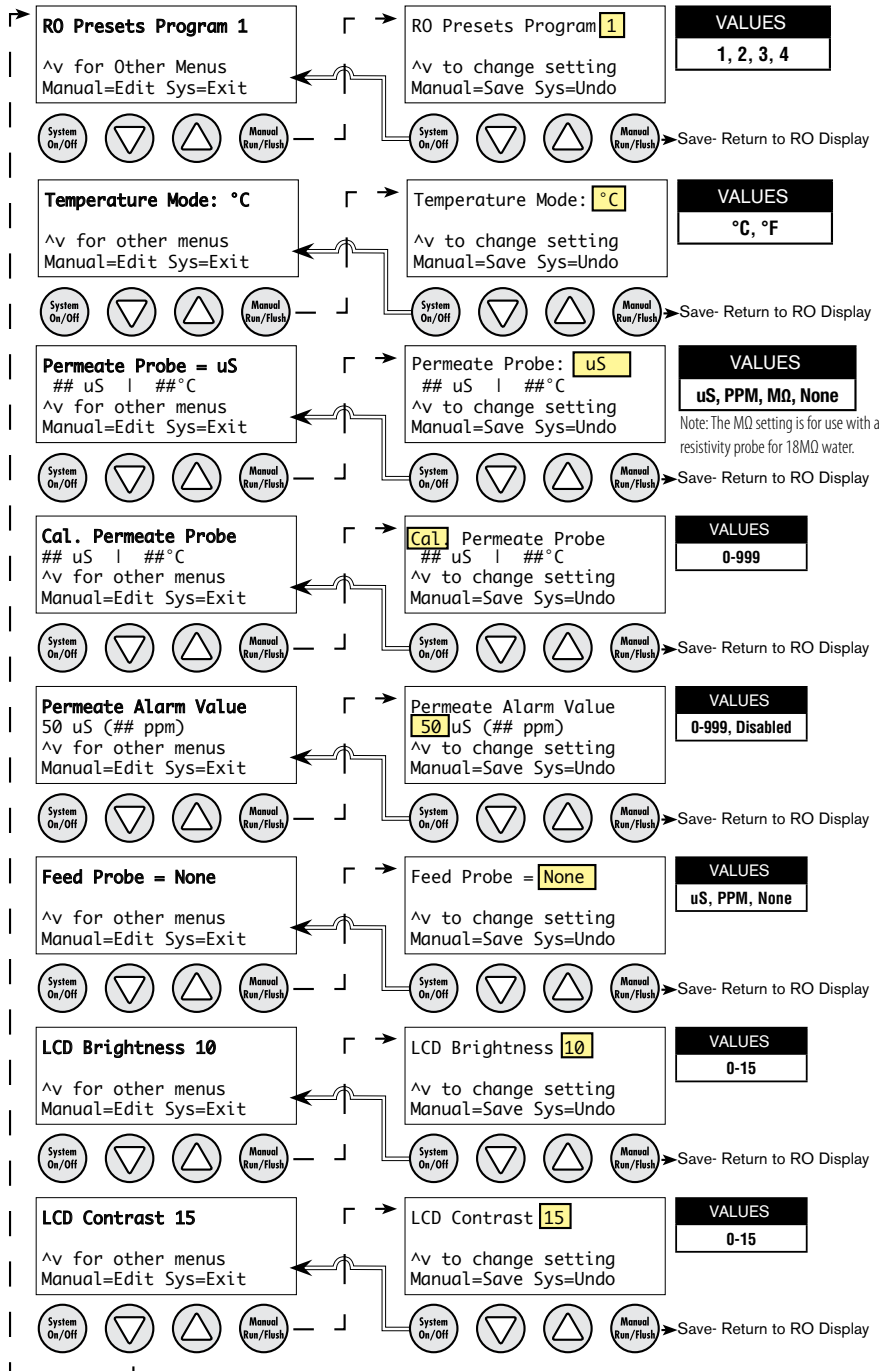


Figure 7

operation

WaterGard Presets Program—Change program to number of program desired. Setpoints are shown in **Standard Setpoints** on page 20.

Temperature Mode—Select temperature unit desired.

Conductivity Calibration

The controller has been calibrated prior to shipment. It may be necessary to periodically calibrate the conductivity. If the controller should require calibration, follow the instructions below. Please contact your local Marley sales representative, if you have any questions regarding the procedure.

Because the conductivity measurement is affected by the physical environment in which it operates, it is best to calibrate while installed in the system and operating under normal conditions. This requires an accurate external conductivity measurement device to serve as a reference.

1. Operate WaterGard long enough for the membranes, operating temperature and product permeate conductivity reading to stabilize, ideally at least 10 minutes.
2. Take a sample of the product permeate and measure it with the reference meter.
3. With the system ON, press and hold the UP and DOWN arrows. With the UP and DOWN arrows depressed, press the System On/Off button.
4. Enter the Permeate Calibration menu using the down arrow. Once at the menu, follow the on screen directions and use the UP or DOWN arrow until the value on the controller matches the value obtained on the reference meter.
5. Exit and save the calibration.
6. The same procedure applies to the Feed Probe calibration.

operation

Note

The probe calibration must be performed using solutions with conductivity of less than 900 ppm or μS . The conductivity calibration circuit will behave erratically if you attempt to calibrate using a higher value. When using a standard calibration solution, the NaCl ppm value can be used in place of the μS value if desired.

TDS to μS Conversions

Multiply	by	To Obtain
μS	1.9	TDS
TDS	.526	μS

Product Permeate Alarm Value—Select desired value for permeate alarm as outlined on page 14.

Display Adjustment—Change LCD brightness and LCD contrast to adjust for the application's best viewing experience.

operation

Standard Setpoints

Parameter	Value	Program 1	Program 2	Program 3	Program 4
Timed Manual Run	Minutes	5	5	5	5
Collection Basin Level Switch delay (actuation and de actuation)	Seconds	2	2	2	2
Pressure Switch delay (actuation and de actuation)	Seconds	2	2	2	2
Pretreat Switch delay (actuation and de actuation)	Seconds	2	2	2	2
Pump start delay	Seconds	5	5	5	5
Pump start retry interval (restart delay after LP fault)	Seconds	10	10	10	10
Inlet Solenoid stop delay	Seconds	1	1	1	1
Low pressure fault shutdown, number of faults	Faults	5	5	5	5
Low pressure fault shutdown, time to count faults	Minutes	10	10	10	10
Low pressure fault shutdown, reset after shutdown	Minutes	60	60	60	60
Low pressure time out fault	Seconds	60	60	60	60
Flush Behavior		Low Pressure Flush	Low Pressure Flush	Low Pressure Flush	Low Pressure Flush
Startup Flush: Minutes from last flush	Minutes	0	0	0	0
Startup Flush: Duration	Seconds	60	120	180	240
Periodic Flush: Interval	Minutes	-	-	-	-
Periodic Flush: Duration	Seconds	-	-	-	-
Shutdown Flush: Time from last flush	Minutes	0	0	0	0
Shutdown Flush: Minimum operation	Minutes	0	0	0	0
Shutdown Flush: Duration	Seconds	0	0	0	0
Idle Flush: Interval	Minutes	0	0	0	0
Idle Flush: Duration	Seconds	0	0	0	0
Timed Manual Flush	Seconds	600	600	600	600
Alarm/Divert Relay*		Alarm	Alarm	Alarm	Alarm
WQ/Conductivity Shutdown Timer (0 = No Shutdown)		0	0	0	0

*Can be changed from controller. All other parameters require software changes. Contact your local Marley sales representative for assistance.

troubleshooting

⚠ Caution

Only those persons who have read the complete user manual or who have received authorization from the facility director should attempt to troubleshoot and/or repair the WaterGard system.

Trouble	Cause	Remedy
WaterGard will not start	WaterGard not supplied power	Reestablish power.
	Circuit breaker tripped	Reset the breaker.
System has power but no water flow	WaterGard in a FAULT condition	Check the WaterGard controller display for FAULT condition and correct the FAULT.
	Feed source not open	Open Incoming water valve.
	Feed pressure < 5 psi	Increase pressure to ≥ 30 psi.
	Sediment filter clogged	Check the sediment filter gauges for pressure drop. Replace the sediment filter if the pressure drop is 10 psi.
Pump making excessive noise	Feed solenoid is not operating	Test the solenoid. Replace the coil or valve if it is defective.
	Low pressure or flow rate feeding WaterGard	Check the sediment filter outlet gauge psi (must be ≥ 20 psi) and verify that the product permeate flow (flowmeter) is within range.
Poor product permeate water quality	Pump motor or impeller failing	Check membrane psi gauge to verify that it is within operating parameters. Replace the pump assembly if necessary.
	High chlorine levels	Replace membranes. Verify carbon or pretreatment is removing all chlorine.
	Fouled membrane	Replace membranes.
	Conductivity cell out of calibration	Verify the conductivity cell accuracy with a known good meter. Follow the Conductivity Calibration procedures on page 18 or replace cell if necessary.
Low product permeate flow rate	Reject flow rate too low	Insure reject flow rate is above the minimum requirements as shown in Table 2 .
	Low pressure feeding membrane	Verify that the incoming tap water supply is fully open.
	Low pump psi	Pump should be operating at 70-120 psi.
	Reject gpm flow rate too high	Turn reject flow to equal product permeate flow with the throttle valve.
	Excessive PRODUCT line back pressure	Check for restrictions in the PRODUCT line.
	Low temperature incoming tap water	Consult temperature correction chart in Table 2 to determine if the product permeate flow rate is normal in relation to the feedwater temperature.
	Sediment filter clogged	Check the sediment filter gauges for pressure drop. Replace the sediment filter cartridge if the pressure drop is ≥ 10 PSI.
	Fouled membrane	Clean or replace membranes.

controller troubleshooting

⚠ Warning

Hazardous voltages are present when power is applied to the unit. Care should be taken when troubleshooting any of the input power or output circuits. When disconnecting or connecting any board or accessory, verify that power is off.

Before contacting SPX Cooling for technical help, verify the programming of all setpoints, check the display and the status of all lights and indicators. The more information available when you contact us, the easier it will be to determine the source of the problem.

Trouble	Cause	Remedy
System Inoperative	Verify power is applied to the power terminals L1 and L2.	If yes, check/replace the main fuse with Littelfuse 0234006P and check/replace CPU fuse with Littelfuse 0218.250P. If no, ensure WaterGard is plugged in.
Display Blank	Is system operational?	If no, refer to above. If yes, check ribbon cable and adjust display contrast and brightness.
Inlet Valve will not operate	Is the system in power off? Is the inlet LED lit?	Power on system. If yes, verify power at inlet terminals. If no, replace board.
WaterGard pump will not operate	Is the system in power off? Are any shut down conditions active?	If no, check power at pump. If yes, power on. If no, check power at pump. If yes, correct fault.
No or incorrect conductivity reading	Is sensor wired correctly?	If no, correct wiring.

maintenance

Note

Warning

Servicing

If any component of the water treatment system is changed or replaced, the user should conduct appropriate tests to ensure that the revised system meets all standards to which it was initially tested.

Always remove WaterGard from the power source and turn off the water prior to any maintenance activities!

1. A daily/weekly **System Log** for the WaterGard system must be filled out completely each time the system is used. See page 34.
2. The membranes, carbon and sediment filter are non-durable components and will need to be exchanged periodically.
 - a. The membranes will need to be cleaned or replaced when the flow of product permeate water decreases more than 15-20% assuming the water temperature remains constant, and no other issue is the root cause.
 - b. The 5-micron sediment filter will need to be replaced whenever the differential pressure on the outlet is 10 psi or greater than the pressure on the inlet of the filter housing.
3. The accuracy of the conductivity display should be verified with a calibrated, hand-held meter at least annually. If the conductivity display is not within 5% of the hand-held meter readings, the controller should be calibrated in accordance with the procedures in **Controller Adjustments** on page 17.

System Preparation for Maintenance

1. Press the SYSTEM ON/OFF key (the display will show POWER OFF)
2. Turn off the main power switch to the system
3. Unplug WaterGard line cord.
4. Turn off the potable feedwater supply to WaterGard.
5. Relieve the pressure from the system by opening the sample port on the front of the WaterGard unit.



maintenance

Typical Service Intervals		
Task	Frequency	Estimated Replacement Time
Membrane replacement	Yearly or as quality degrades to more than 35% of incoming conductivity, whichever comes first.	15 minutes per membrane
Sediment filter replacement	Quarterly or when ΔP across Sediment filter is ≥ 10 psi.	5 minutes
Carbon filter replacement	Yearly or as chlorine starts to pass through. Refer to feedwater requirements for acceptable level.	120 minutes

Membrane Replacement

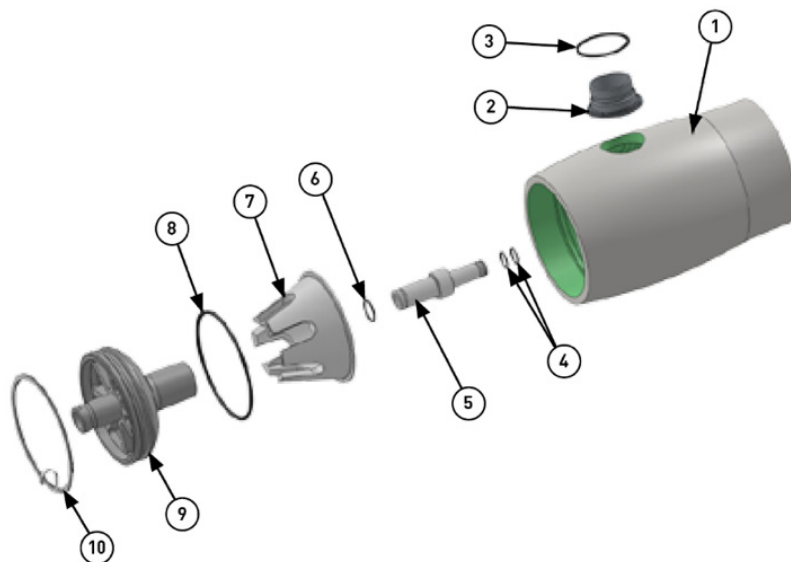


Figure 8

1 - Shell	6 - Adaptor Seal
2 - F/C Port	7 - Thrust Cone (only on concentrate end)
3 - F/C Port Seal	8 - Head Seal
4 - PWT Seal	9 - Elliptical Head
5 - Adaptor	10 - Retaining Plate

maintenance

Opening the Vessel

1. Relieve Pressure—Shut off feedwater supply and drain the unit of water by using the product and inlet sample ports. Check to ensure 0 psi on the sediment filter gauges.
2. Disconnect Permeate Port—Disconnect permeate piping as required at nearest union joints, being careful not to place undue stress on the threaded connections of the permeate port(s).

Do not tap on fittings, tapping on fittings could damage the ports.

3. Examine End Enclosure—Examine enclosure of vessel for corrosion. Metal oxidation products and mineral deposits can interfere with vessel disassembly. If any is evident, proceed as follows:

- Loosen any deposits with a small wire brush or medium grade 3M ScotchBrite™. See **Figure 9**.
- Flush away loosened deposits with clean water.

⚠ Caution



Figure 9

4. Removing Head Retaining Ring—Engage fore finger in the end tab of the retaining ring and lift up and out of the ring groove in the shell. Run fingers behind the retaining ring as it continues to exit the groove. See **Figure 10**.



Figure 10



maintenance

5. Removing Head Assembly—Using a rubber mallet tap the elliptical head lightly. Do not use a metal hammer to tap the bearing plate.

- Carefully rock the head assembly back and forth to release the seal (care should be taken to avoid placing too much stress on the elliptical head threaded connection where the union and nipple assembly is connected.)
- Once the head seal is broken, pull straight outward to remove the head assembly from the vessel.

Note

⚠ Caution

It may be necessary to rock the head slightly and / or tap the head inboard to break head seal bond.

Read all parts of this section before replacing elements. A record of element serial numbers and locations should be made and checked during loading. Do not scratch or damage the internal surface of the vessel when removing or installing elements.

Replacing the Elements

1. Remove element interface hardware.
 - Remove thrust cone from the downstream (concentrate) end.
 - Remove adapters from elements at each end.
2. Element Removal—Remove elements from the vessel by gripping the membrane and pulling it out. For housings with multiple membranes, a pole may be required to move the membrane close enough to be accessed. Clean off any excess lubricant from inside the vessel before removing elements.
3. Element Loading—Examine the inside diameter of the vessel for scratches or imperfections that may affect sealing capability of head or element seals. Corrosion deposits or other foreign matter, including any excess lubricant, should be removed as described on page 25.
 - Flush out the vessel with clean water to remove any dust and debris.
 - Examine membrane element surfaces for any imperfection which could scratch the vessel bore. Pay particular attention to edges of anti-telescope device (ATD/brine seal carrier). This is the plastic piece on either end of the membrane. See **Figure 11**.

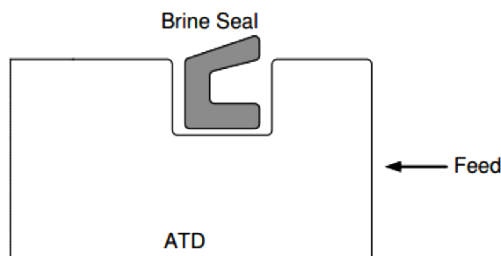


Figure 11

maintenance

- **Option:** Using an approximate 50% mixture of glycerin in water, lubricate the inside of the vessel. This may be accomplished using a suitably sized swab soaked in the mixture. This procedure will ease membrane element loading and reduce chance of scratching the vessel bore.

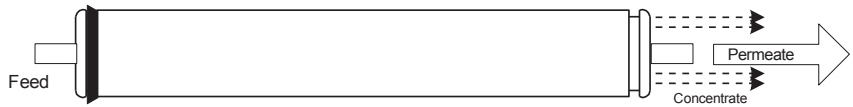


Figure 12

- Match the flow direction arrow on the membrane with the flow direction arrow on the membrane housing. Load the first element into the upstream end of the vessel. Leave a few inches of the element projecting from the vessel to facilitate interconnection to the next element.
- Apply a light film of a non-petroleum based lubricant to the interconnection O-ring. (The amount should be just enough to give a luster to the O-ring. Excess must be removed to prevent possibility of element contamination).

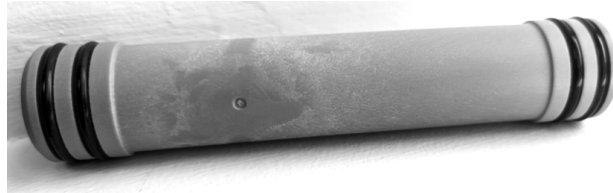


Figure 13

- Assemble the interconnector to the loaded element.
- Align the next element to be loaded and assemble it to the interconnector already installed on the first element.
- Push both elements into the vessel until a few inches are projecting from the vessel. Repeat loading process until all elements are installed. See **Table 3** showing how many elements are in a vessel based on the WaterGard model

Table 3

Model	Total Membranes	Membranes per Vessel
WG037	6	2
WG049	8	2
WG055	9	3
WG061	10	2
WG073	12	3
WG091	15	3



maintenance

- When the final element is installed, push the element stack forward until the face of the first (downstream) element is just short of counter-bore ramp.

⚠ Caution

Maintain careful element alignment during assembly procedure.

4. Install element interface hardware—Assemble adapter to element permeate tube at each end of vessel. Connect the central (permeate) tube of the membrane element, with an adapter on each end to the permeate port in the head at both ends of vessel. Pressurizing the vessel without both adapters installed could result in explosive head failure. The bottom end assemblies of the vessel should already be installed. See previous section on alignment.

- Install Head Seals (if not already installed).
- Install the thrust cone over the permeate port on the head assembly at the downstream (concentrate) end of the vessel. See **Figure 14**.

⚠ Caution

Serious damage may result if the thrust cone is not installed in the correct location.



Figure 14

Closing the vessel

⚠ Caution

Read all guidelines in this section before attempting to close the vessel.

Check the head assembly for corrosion as described in the head rebuilding section. Corroded parts can result in catastrophic failure. Do not pressurize vessel until after visual inspection to ensure that retaining ring are fully seated. Never attempt to repair a fiberglass shell.

Do not proceed until elements and adapters have been installed in the vessel following guidelines in **Replacing the Elements** section on page 26.

1. Inside surface inspection—Inspect the vessel inside surface for any corrosion deposits or other foreign matter. If any are found, clean the surface using a medium or fine grade of ScotchBrite and a mild soap solution, clean each end of the vessel inner surface up to 8" from each end of the vessel.

maintenance

Rinse away all loosened deposits from the shell inside surface using clean fresh water.

- Inspect the vessel inside surface for scratches or other damage that could cause leaks. Vessels that leak must be replaced.
 - Inspect feed/concentrate port seals and attachments for internal and external damage or deterioration.
2. Shell and Head Lubrication—Work O-ring lubricant into shell area behind the retaining ring groove and approximately 1/2" into the vessel inside diameter.
- Ensure entire head seal is covered with a thin layer of O-ring lubricant, with no dirt or dust contamination.

Note

Any remaining lubricant should be cleaned from the vessel bore before applying fresh lubricant. Glycerin is a commercially available lubricant that will not foul membranes.

3. Install Head—Hold the head assembly square to the axis of the shell by grasping the permeate port. Slide it straight in until a slight resistance is felt.
- Grasp tightly and push the head in as far as it will go (a sharp, forceful thrust or light tapping with a rubber mallet may be necessary to enter the head into the vessel bore). When the head is correctly positioned, the locking groove will be exposed.
4. Install Head Interlock—Carefully wipe out any debris or moisture from the head retaining ring groove. The groove must be clean and dry before proceeding.
- With the head assembly installed in the shell, place the tip of the head Retaining ring in the retaining ring groove. (The non-bent tab end)
 - Begin installing the retaining ring into the groove as you rotate your hand around the inside of the shell. See **Figure 15**.
 - Continue until the entire retaining ring is installed in the groove.
 - Verify that the retaining ring is fully seated in the groove before proceeding.

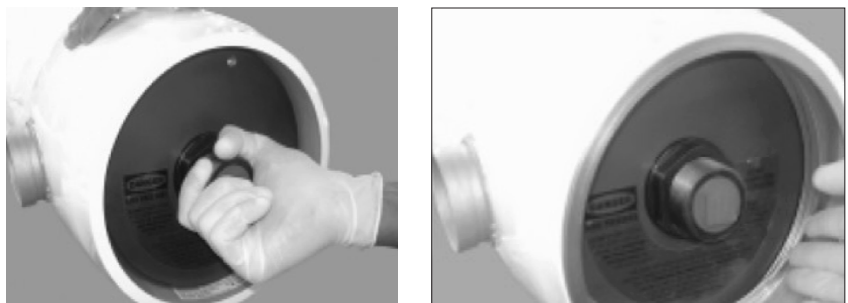


Figure 15



maintenance

5. Reconnect Permeate Piping—Reconnect manifold piping to the vessel permeate port. Using Teflon tape or anaerobic sealant on all threaded connections will help ensure a leak-free assembly.

6. Pre-pressurization Checks

Caution

It is vitally important that the following checks be carried out before any attempt is made to pressurize the vessel.

Head Assembly—Verify the following at each end of the vessel:

- Head assembly is in good condition, with no evidence of damage or corrosion.
- Port nut is snug (left-hand thread).
- Head retaining ring is properly placed.

Membrane Elements—Verify that...

- Elements are installed in the vessel.
- Element adapters are installed at each end of the vessel.
- Thrust cone is installed at the downstream end of the vessel

Piping Connections—Check all piping connections to ensure that they will provide a leak-free seal.

7. Pressurization—After following the above pre pressurization checks, pressurize the vessel. Soak the membranes for 30 minutes before use, see Startup and Operation section on page 9.

- Return to normal operation and ensure membrane inlet pressure is set to 105 psi.

Sediment Filter Replacement

1. Shut off feedwater supply and relieve pressure on the sediment filter housing by opening the inlet sample port. Check to ensure 0 psi on the sediment filter gauges.
2. Unscrew bolt on V-band clamp and remove top cap.
3. Lift old filter out of the housing.
4. Lube O-ring on filter with plumbers grease and insert. Ensure filter seats properly. The O-ring should not be visible.
5. Reinstall the filter housing cap.
6. Turn feedwater back on, and return to normal operation

maintenance

Carbon Filter Replacement *option*

Vacuumping out the Media

1. Close inlet and outlet ball valves
2. Open drain valve and completely drain all water from unit. Check to ensure 0 psi on inlet and outlet gauges
3. Loosen union on outlet ball-valve and prewash outlet and spin entire assembly counterclockwise and remove.
4. Vacuum out carbon media with a shop vacuum and refill with appropriate amount in **Table 4**.

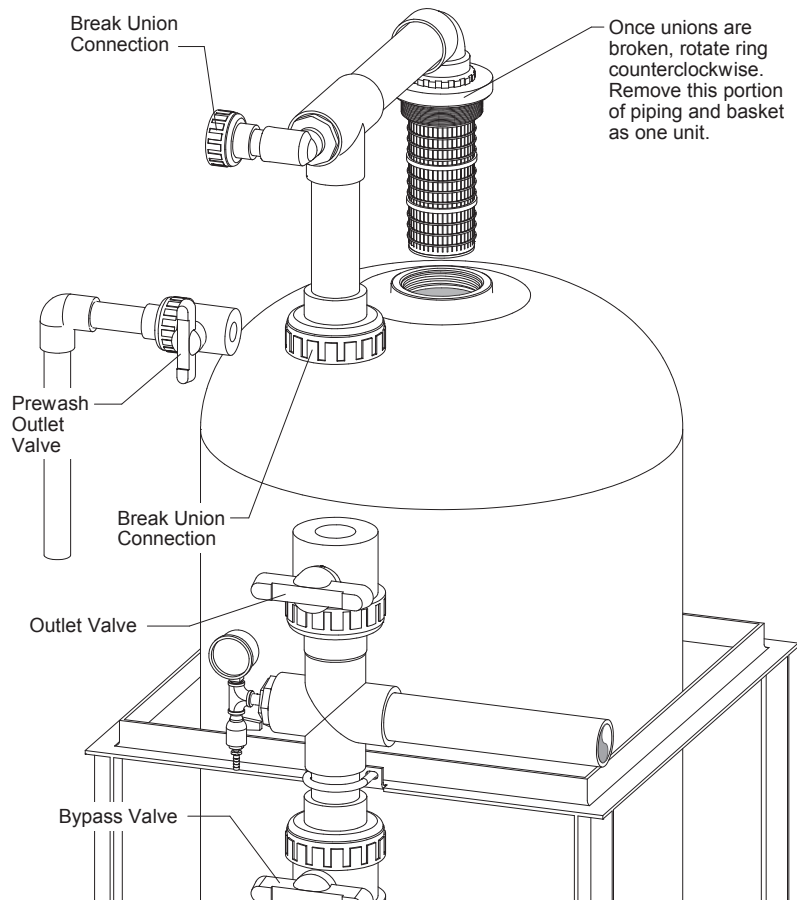


Figure 16

Removal of Carbon Basket Assembly

maintenance

Caution

Wear a mask to protect against any dust generation during the refill process.

5. Reinstall top assembly and tighten unions
6. Ensure drain valve is closed. Open prewash inlet and prewash outlet and rinse until water is clear.
7. Close prewash inlet and outlet and open inlet and outlet valves to return to operation.

Table 4

Model	Carbon Tank Volume
WG037- WG049	10 cu ft
WG055 - WG060 - WG073 - WG091	10 cu ft x 2 tanks

parts list

Part Number	Description
WaterGard Membrane	
2800085	Replacement Membrane 8" x 40"
2800124	Replacement Head Seal
2800058	Plumbers Silicone Grease
2800065	Test strips for Measuring Residual Chlorine
Sediment Filter	
2811501	Sediment Filter O-Ring (WG037 - WG049 - WG055)
2800097	5-micron Sediment filter cartridge (individual element)
2800099	Sediment Filter O-Ring (WG061 - WG073 - WG091)
Carbon Filter (option)	
2800096	10 cu ft Carbon Tank
2800094	Single Bag -1 cu ft Carbon
Miscellaneous	
2800095	Pump (WG037)
2800100	Pump (WG049 - WG055)
2800101	Pump (WG061 - WG073 - WG091)
2800077	Main Fuse
2800078	CPU Fuse
2800079	Terminal Board (TB-5)
2800080	Board with Screen (CPU-4)
Replacement Kits	
2800109	WG037 Membrane Replacement Kit (annual kit)
2800110	WG049 Membrane Replacement Kit (annual kit)
2800111	WG055 Membrane Replacement Kit (annual kit)
2800112	WG061 Membrane Replacement Kit (annual kit)
2800113	WG073 Membrane Replacement Kit (annual kit)
2800114	WG091 Membrane Replacement Kit (annual kit)
2800118	WG037 - WG049 Carbon Replacement Kit (annual kit)
2800119	WG055 - WG061 - WG073 - WG091 Carbon Replacement Kit (annual kit)
2802713	WG037 - WG049 - WG055 Sediment Replacement Kit (6 month kit, 7 filters)
2800123	WG061 - WG073 - WG091 Sediment Replacement Kit (6 month kit, 11 filters)
2800086	Kit, Head Seal, retaining ring, elliptical head

WaterGard

USER MANUAL

SPX COOLING TECH, LLC

7401 WEST 129 STREET
OVERLAND PARK, KS 66213 USA
913 664 7400 | spxcooling@spx.com
spxcooling.com

10000022004 | ISSUED 6/2023

©2023 SPX COOLING TECH, LLC | ALL RIGHTS RESERVED

In the interest of technological progress, all products are subject to design and/or material change without notice.

