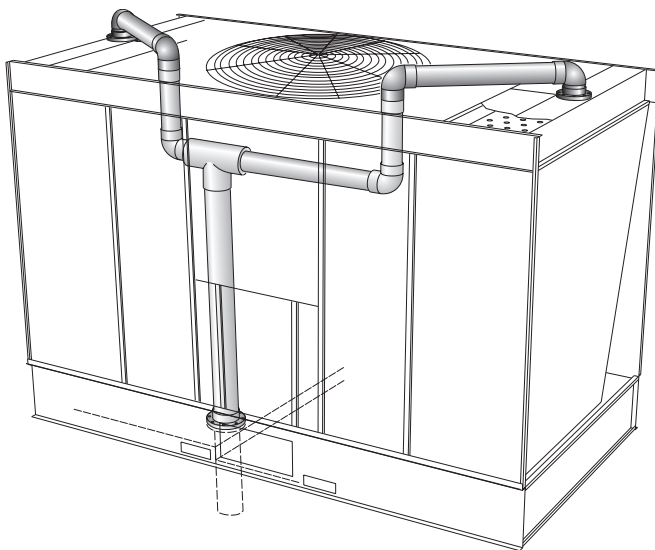


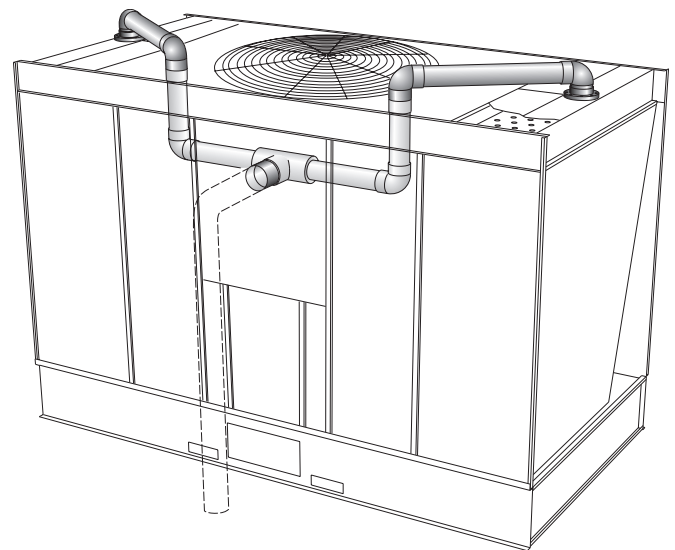
How Single Inlet Piping is Self-Balancing

Single inlet options are available for all NC[®] cooling tower models except the NC8401. This option consists of a riser pipe and branch arms installed in the plenum of the tower and two field installed horizontal pipes from the fan deck to the hot water basin inlet.

The joint between the top and bottom modules for the 8410 through 8414 is connected in the field using a flexible coupling. Orifice plates are provided at the inlet of the distribution basin to provide adequate back pressure to assure uniform distribution to both hot water basins.



Bottom Inlet



Side Inlet

SPX COOLING TECHNOLOGIES, INC.

7401 WEST 129 STREET
OVERLAND PARK, KS 66213 USA
913 664 7400 | spxcooling@spx.com
spxcooling.com

AE-DM-14A | ISSUED 8/2018

©2017-2018 SPX COOLING TECHNOLOGIES, INC | ALL RIGHTS RESERVED

In the interest of technological progress, all products are subject to design and/or material change without notice.