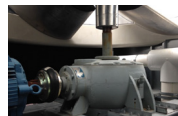


Solutions to Improve Tower Operation and Performance



Low-clog Film Fill Options

- This option provides a higher degree of clog resistance for dirty water applications



Mechanical Equipment Upgrade Options

Discuss options with your Marley sales rep

- Increase cooling tower capacity by upgrading the Motor, Geareducer® and Fan to increase airflow, reliability and efficiency
- Shaft grounding rings (SGR) are available as upgrades to Marley motors
- S Series Geareducers include both a custom Inpro/Seal® input shaft seal and an output shaft lip-type oil seal
- Permanent Magnet Direct Drive fan motor
- Replace existing 2 speed motors to save energy - motor upgrade to 1800 rpm and new VFD control
- Convert existing belt drive system with Marley Geareducer

Solutions to Reduce Cooling Tower Sound



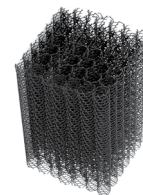
Marley Quiet Fans

- Increased blade count and reduced speed lowers sound levels with minimal cost impact
- Reduces sound levels by 2-4 dBA with 0-3% thermal derating



Marley Ultra Quiet Fans**

- Utilizes high solidity acoustic geometry airfoil for ultra-quiet and efficient operation
- Reduces sound levels by 7-12 dBA with generally no thermal derating



Splash Attenuation

- Reduce falling water sound, polypropylene splash attenuation media may be installed in the cooling tower collection basin

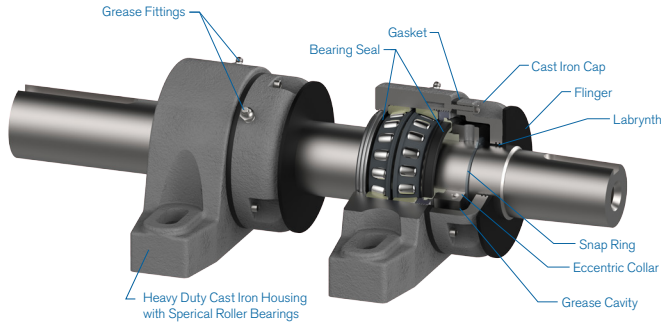
Fan Outlet Attenuation

- Reduce mechanical equipment sound, attenuation installed above fan

*Upgrade options from the standard Marley X7 low-sound fan. Not all cooling tower models are available for upgrade.

**Change out may require reducing fan speed, which may require change of motor to 1200 rpm output speed.

Solutions to Simplify Maintenance and Support Environment, Health and Safety Initiatives



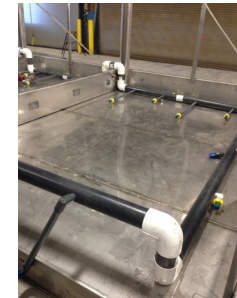
Pro Series Pillow Block Bearing Kit

Designed with six levels of protection to keep lubricant and contaminants out to extend overall bearing life



Louver Access Panel

MD5018 model only to facilitate inspection of the collection basin without removal of entire louver module



Basin Sweeper Piping



Mechanical Access Door Platform

Provides a working platform to service fan motor and water distribution system
Available options: Ladder Extension, Safety Gate



Fill Access Panel

Facilitate periodic removal of fill media for cleaning



Portable Crane

Other Offerings: Critical Spare Parts

SPX COOLING TECHNOLOGIES, INC.

7401 WEST 129 STREET
OVERLAND PARK, KS 66213 USA
913 664 7400 | spxcooling@spx.com
spxcooling.com

AMU-MD-21A | ISSUED 10/2021
©2021 SPX COOLING TECHNOLOGIES, INC. ALL RIGHTS RESERVED
In the interest of technological progress, all products are subject to design and/or material change without notice.