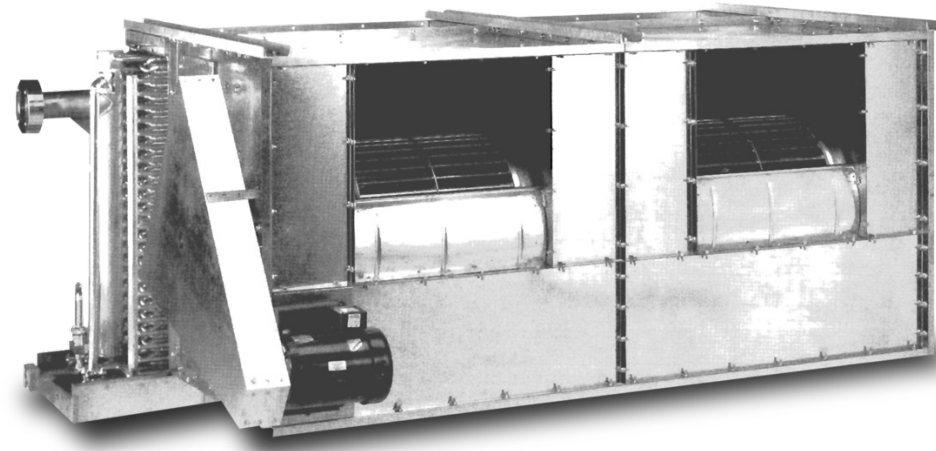


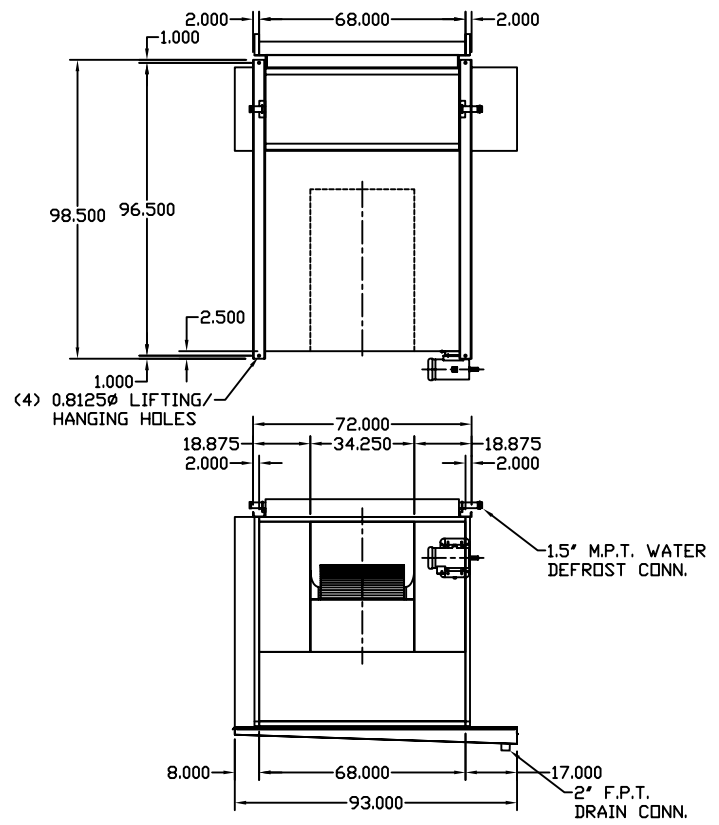
CF Series II

CENTRIFUGAL PRODUCT COOLER

ENGINEERING SCHEMATIC DETAILS



NOTE: DIMENSIONAL DRAWING FOR QUOTATION PURPOSES ONLY. DO NOT USE FOR CONSTRUCTION.

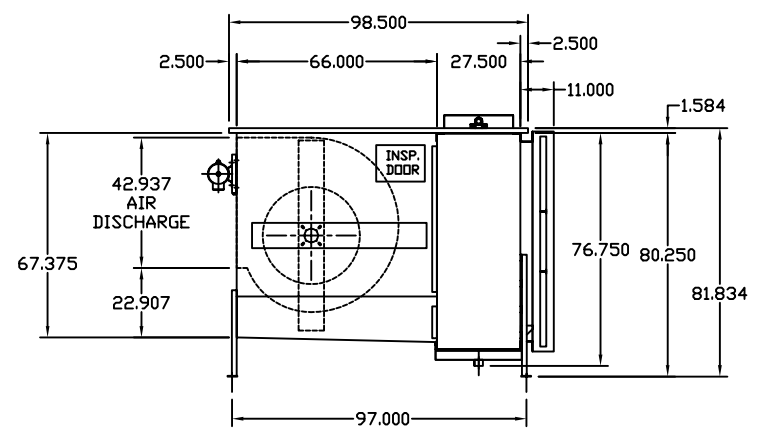


FILTER SECTION

QTY	STOCK SIZE (in.)
3	20 x 16 x 2
1	20 x 20 x 2
6	25 x 16 x 2
2	25 x 20 x 2

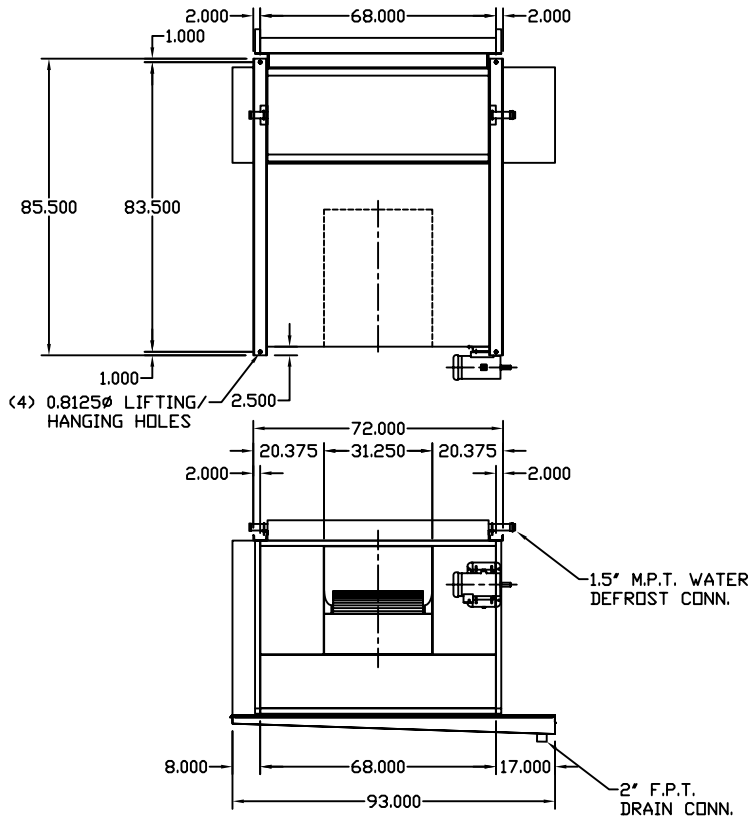
FILTER PLACEMENT

	20	16	16	16
25				
20				
25				



JOB NO.:		NO.		CHANGE DESCRIPTION	DATE	CK'D
CUSTOMER P.O.:		REVISIONS				
CUSTOMER NAME:						
JOB NAME:						
TAG UNIT:						
MODEL:						
ITEM NO.:						
NO. REQ'D:		DATE:		DRAWN:		
SHEET	OF					REV.
TOLERANCE: ±						

NOTE: DIMENSIONAL DRAWING FOR QUOTATION PURPOSES ONLY. DO NOT USE FOR CONSTRUCTION.

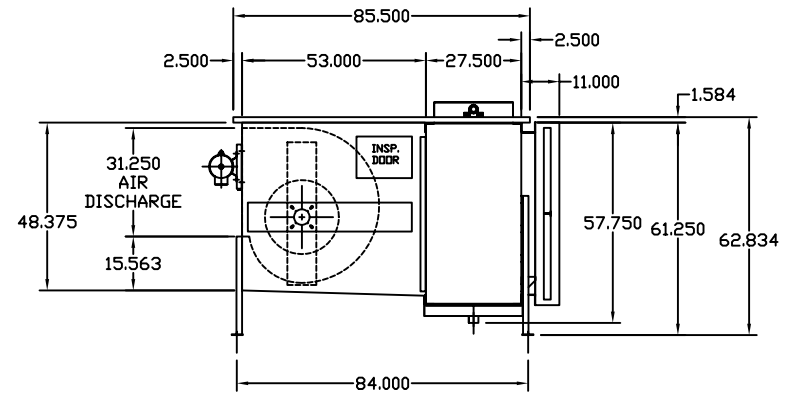


FILTER SECTION

QTY	STOCK SIZE (In.)
6	25 x 16 x 2
2	25 x 20 x 2

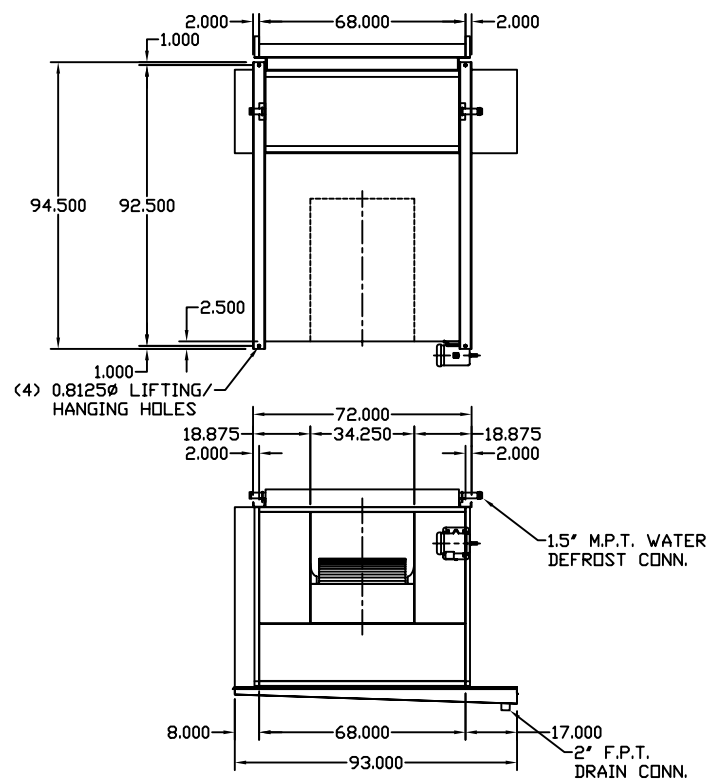
FILTER PLACEMENT

	20	16	16	16
25				
25				



JOB NO.:		NO.	CHANGE DESCRIPTION	DATE	CK'D
CUSTOMER P.O.:		REVISIONS			
CUSTOMER NAME:					
JOB NAME:					
TAG UNIT:					
MODEL:					
ITEM NO.:					
NO. REQ'D:	DATE:	DRAWN:			
SHEET OF					REV.
TOLERANCE: ±					

NOTE: DIMENSIONAL DRAWING FOR QUOTATION PURPOSES ONLY. DO NOT USE FOR CONSTRUCTION.

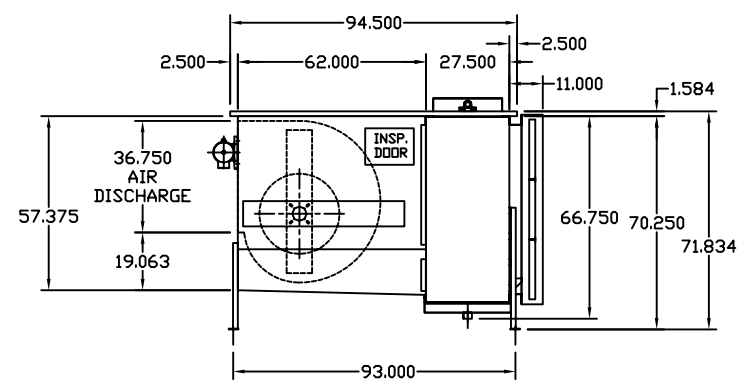


FILTER SECTION

QTY	STOCK SIZE (In.)
9	20 x 16 x 2
3	20 x 20 x 2

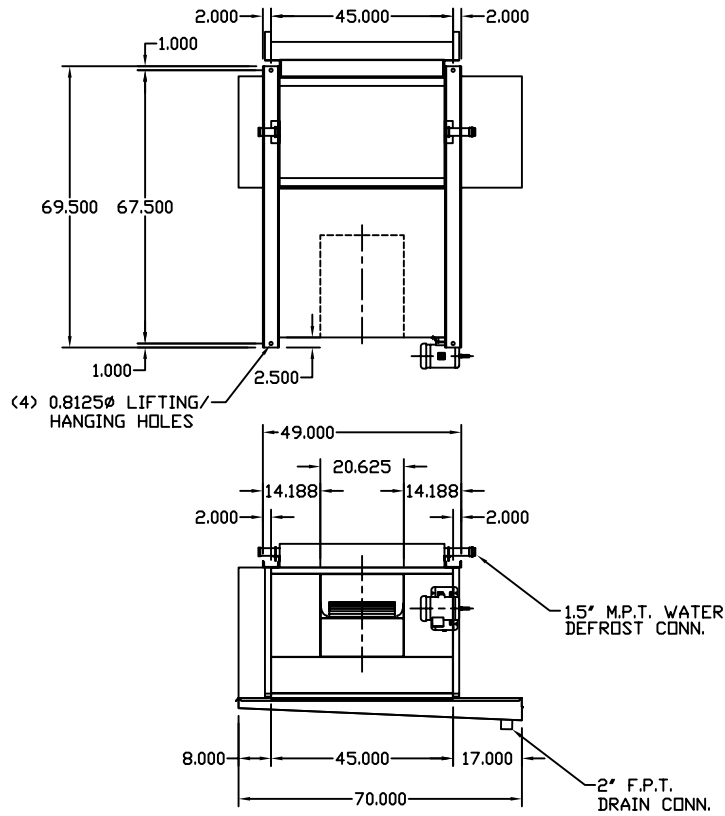
FILTER PLACEMENT

	20	16	16	16
20				
20				
20				



JOB NO.:		NO.	CHANGE DESCRIPTION	DATE	CK'D
CUSTOMER P.O.:		REVISIONS			
CUSTOMER NAME:					
JOB NAME:					
TAG UNIT:					
MODEL:					
ITEM NO.:					
NO. REQ'D:	DATE:	DRAWN:			
SHEET OF					REV.
TOLERANCE: ±					

NOTE: DIMENSIONAL DRAWING FOR QUOTATION PURPOSES ONLY. DO NOT USE FOR CONSTRUCTION.

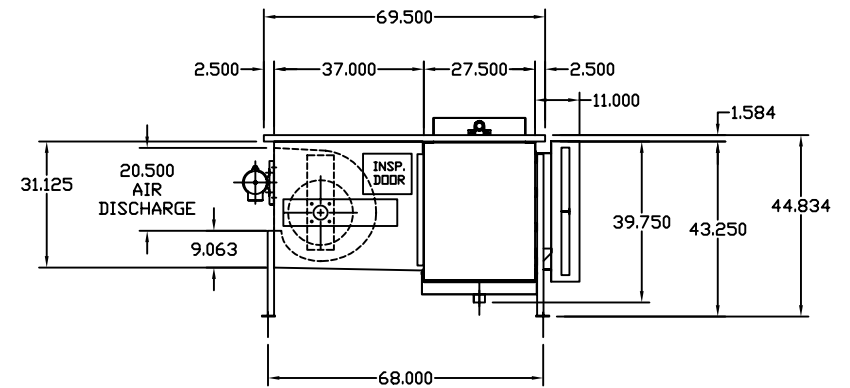


FILTER SECTION

QTY	STOCK SIZE (In.)
2	20 x 16 x 2
2	25 x 16 x 2

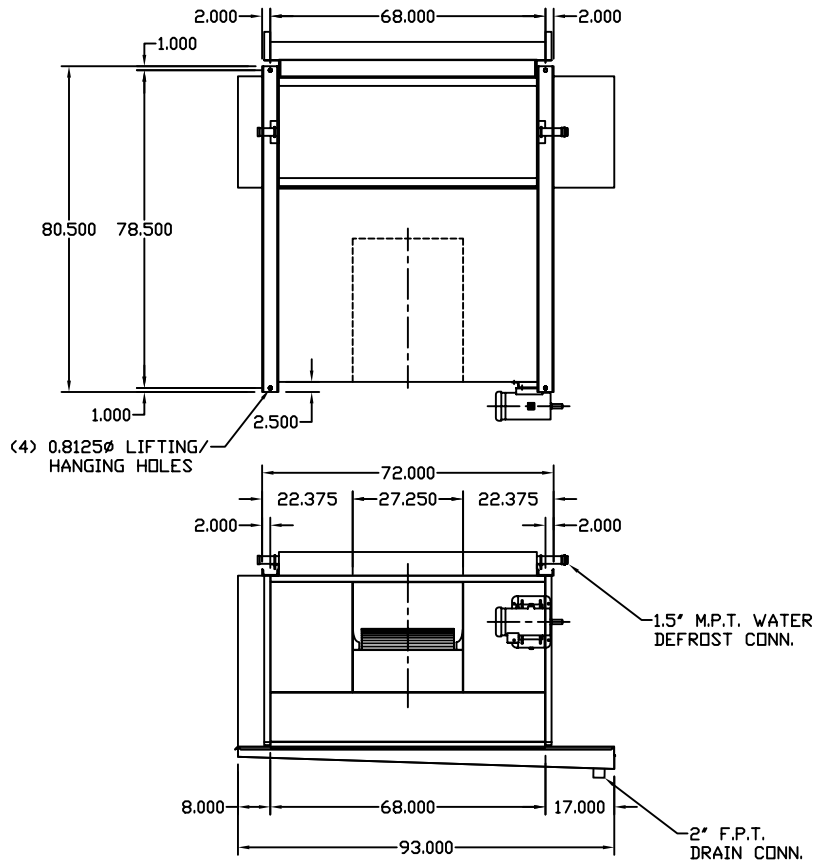
FILTER PLACEMENT

	25	20
16		
16		



JOB NO.:		NO.		CHANGE DESCRIPTION	DATE	CK'D
CUSTOMER		REVISIONS				
P.O.:						
CUSTOMER NAME:						
JOB NAME:						
TAG UNIT:						
MODEL:						
ITEM NO.:						
NO. REQ'D:		DATE:		DRAWN:		
SHEET		OF				REV.
TOLERANCE:		±				

NOTE: DIMENSIONAL DRAWING FOR QUOTATION PURPOSES ONLY. DO NOT USE FOR CONSTRUCTION.

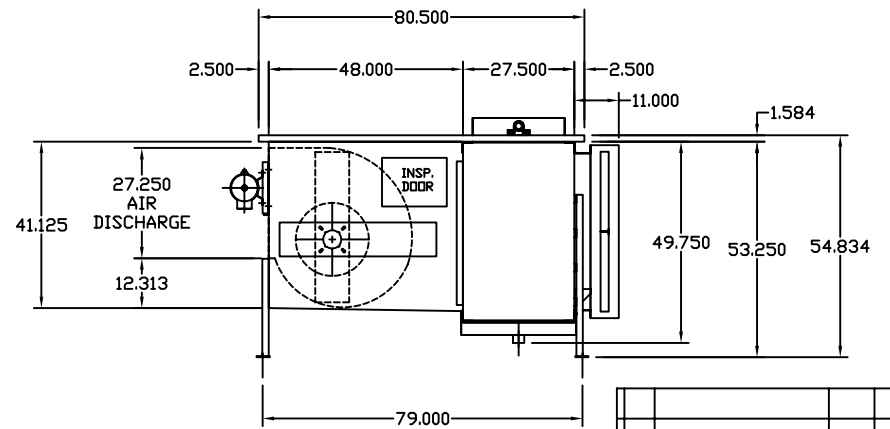


FILTER SECTION

QTY	STOCK SIZE (In.)
6	20 x 16 x 2
2	20 x 20 x 2

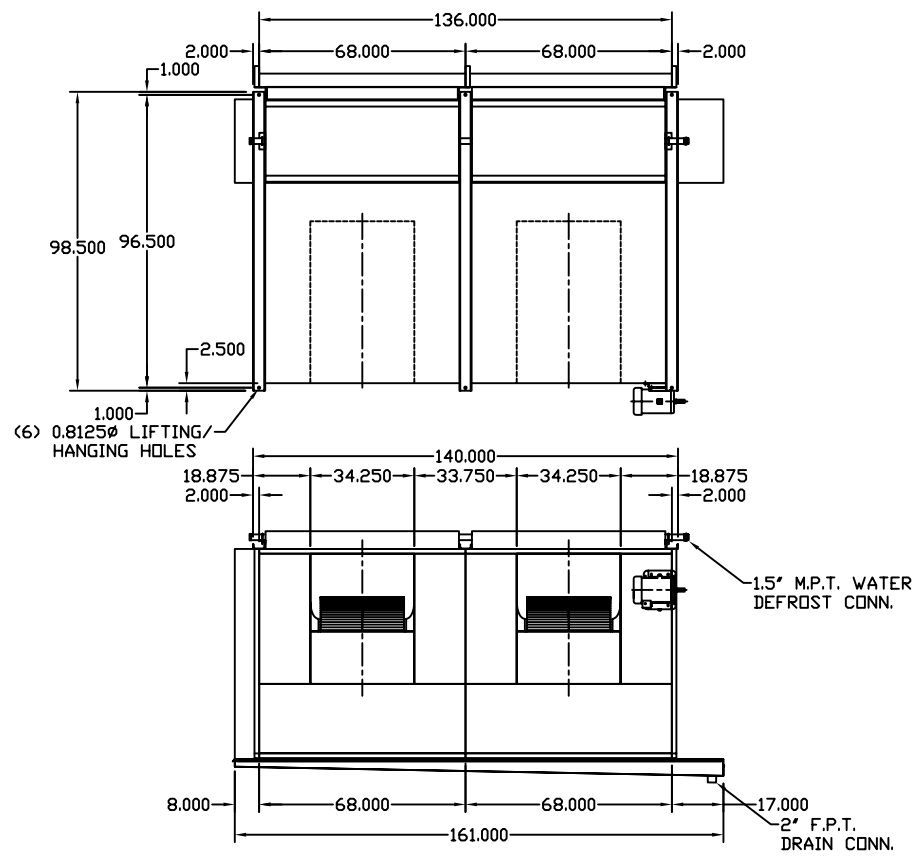
FILTER PLACEMENT

	20	16	16	16
20				
20				



JOB NO.:		NO.	CHANGE DESCRIPTION	DATE	CK'D
CUSTOMER P.O.:		REVISIONS			
CUSTOMER NAME:					
JOB NAME:					
TAG UNIT:					
MODEL:					
ITEM NO.:					
NO. REQ'D:	DATE:	DRAWN:			
SHEET OF					REV.
TOLERANCE: ±					

NOTE: DIMENSIONAL DRAWING FOR QUOTATION PURPOSES ONLY. DO NOT USE FOR CONSTRUCTION.

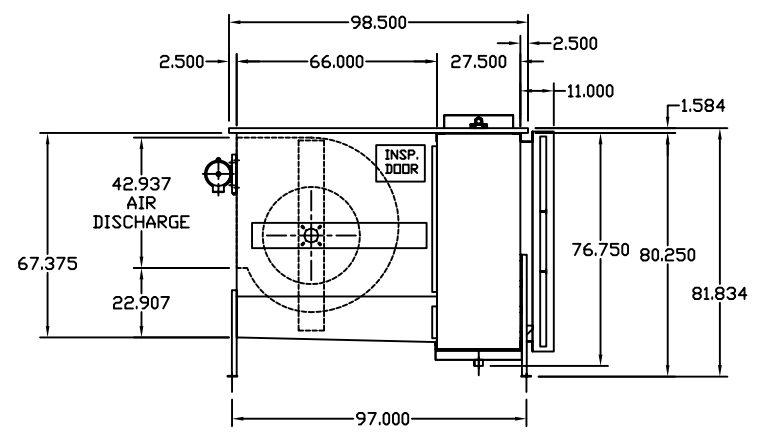


FILTER SECTION

QTY	STOCK SIZE (in.)
6	20 x 16 x 2
2	20 x 20 x 2
12	25 x 16 x 2
4	25 x 20 x 2

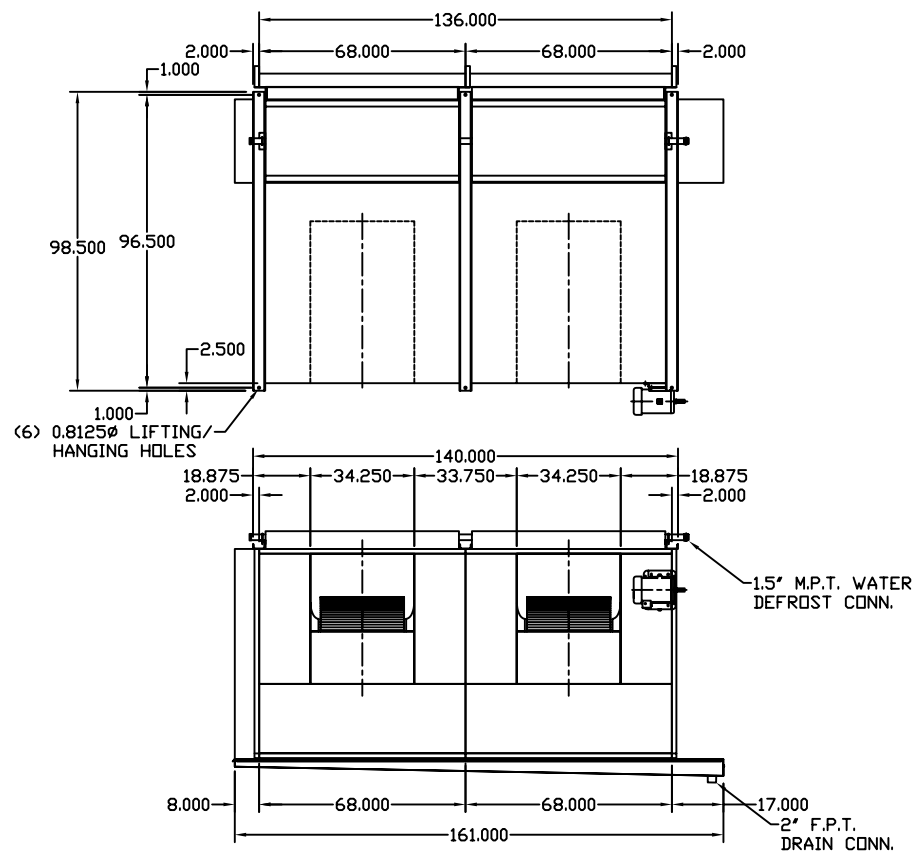
FILTER PLACEMENT

	20	16	16	20	16	16	16
25							
20							
25							



JOB NO.:		NO.	CHANGE DESCRIPTION	DATE	CK'D
CUSTOMER P.O.:		REVISIONS			
CUSTOMER NAME:					
JOB NAME:					
TAG UNIT:					
MODEL:					
ITEM NO.:					
NO. REQ'D:	DATE:	DRAWN:			
SHEET OF					REV.
TOLERANCE: ±					

NOTE: DIMENSIONAL DRAWING FOR QUOTATION PURPOSES ONLY. DO NOT USE FOR CONSTRUCTION.

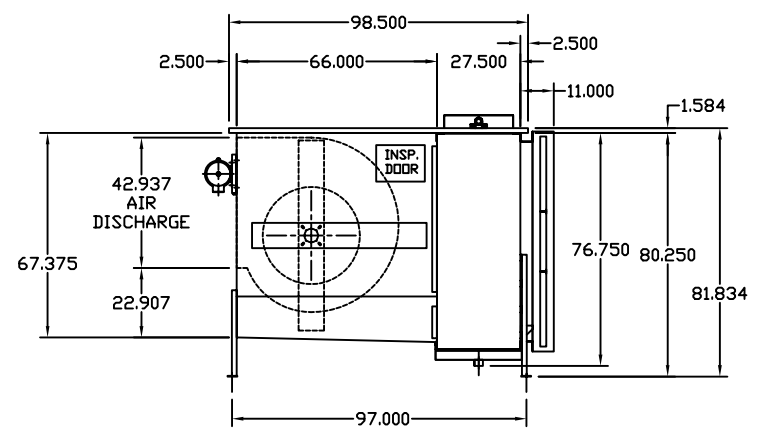


FILTER SECTION

QTY	STOCK SIZE (in.)
6	20 x 16 x 2
2	20 x 20 x 2
12	25 x 16 x 2
4	25 x 20 x 2

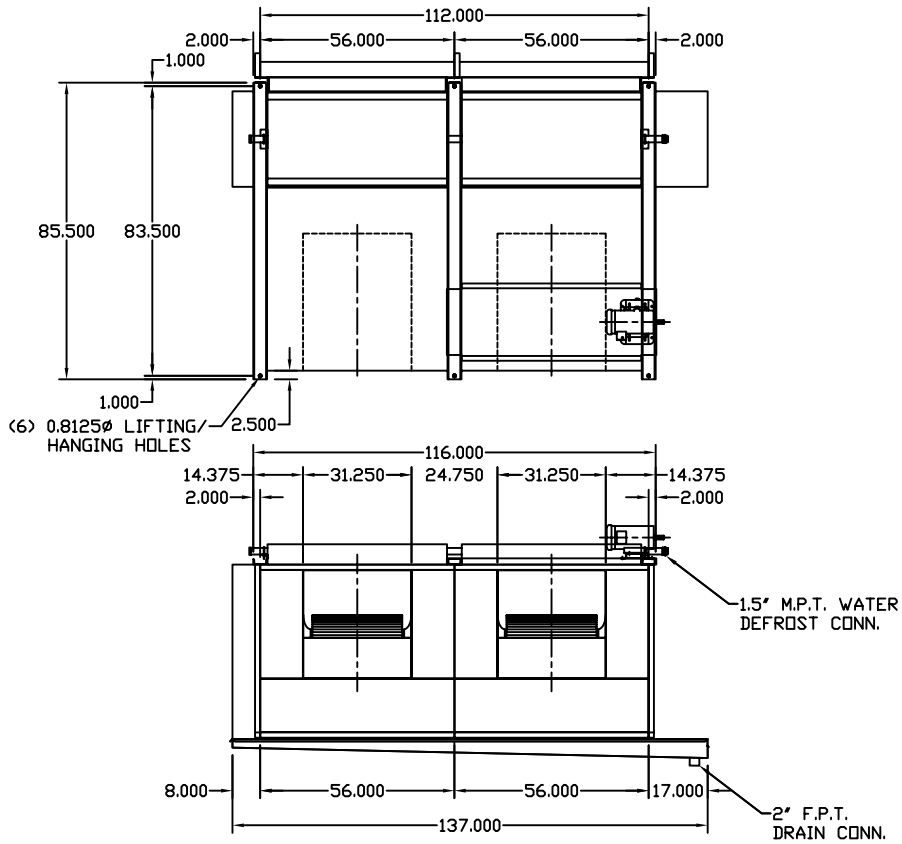
FILTER PLACEMENT

	20	16	16	20	16	16
25						
20						
25						



JOB NO.:		NO.	CHANGE DESCRIPTION	DATE	CK'D
CUSTOMER P.O.:		REVISIONS			
CUSTOMER NAME:					
JOB NAME:					
TAG UNIT:					
MODEL:					
ITEM NO.:					
NO. REQ'D:	DATE:	DRAWN:			
SHEET OF					REV.
TOLERANCE: ±					

NOTE: DIMENSIONAL DRAWING FOR QUOTATION PURPOSES ONLY. DO NOT USE FOR CONSTRUCTION.

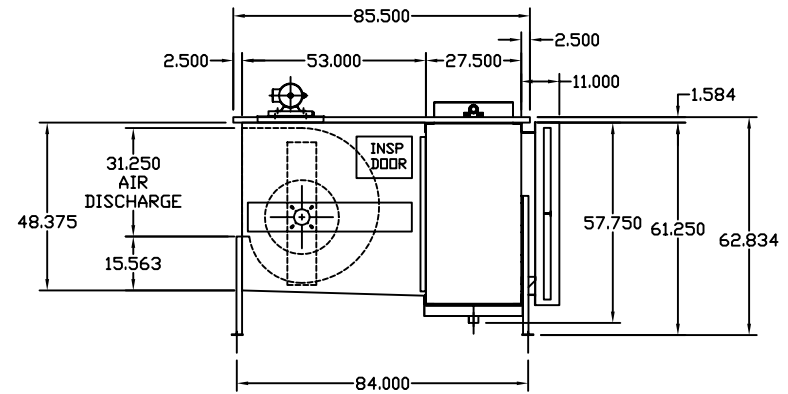


FILTER SECTION

QTY	STOCK SIZE (In.)
4	25 x 16 x 2
8	25 x 20 x 2

FILTER PLACEMENT

	20	20	16	20	20	16
25						
25						



JOB NO.:		NO.		CHANGE DESCRIPTION	DATE	CK'D
CUSTOMER		REVISIONS				
P.O.:						
CUSTOMER NAME:						
JOB NAME:						
TAG UNIT:						
MODEL:						
ITEM NO.:						
NO. REQ'D:		DATE:		DRAWN:		
SHEET OF						REV.
TOLERANCE: ±						