

Field-Erected Cooling Tower Components

PARTS PRICE CATALOG – JUNE 2024



Marley Geareducer Fan Drive

Effective June 5th 2024



M Series Geareducer [read more](#)



4000 Series Geareducer [read more](#)

Marley Geareducer®			Options - List Price Add ^{note 1}		
Series	Ratio	List Price	Triple Epoxy Paint	Inpro/Seal Input Shaft Seal	Oil Heater and Thermostat
32.2	ALL	\$30,866	\$315	\$1,050	\$3,150
3400	ALL	\$41,328	\$315	\$1,050	\$3,150
4000	9.64 through 15.84	\$43,926	\$315	Standard	\$3,150
4000	16.49, 18.54, 19.72	\$63,170	\$315	Standard	\$3,150

note 1 - Other options are available; contact SPX for price/leadtime.

Geareducer Replacement Wear Items ^{note 1}		
Series	Lip Type Seal	Impro/Seal
32.2	\$861	\$2,266
3400	\$861	\$2,266
4000	\$1,155	\$2,266

note 1 - Includes seal, pinion cage cap, and hardware for replacement. Individual components available. Contact SPX Cooling Tech for price/leadtime.

Marley M Series Geareducer® ^{note 2}			Options- List Price Add ^{note 1}		
Series	Ratio	List Price	Triple Epoxy Paint	Inpro/Seal Input Shaft Seal	Oil Heater and Thermostat
M1311	9.64 through 15.84	\$27,121	\$315	Standard	\$3,150
M1712	9.64 through 15.84	\$30,727	\$315	Standard	\$3,150
M1712	16.49, 18.54, 19.72	\$41,297	\$315	Standard	\$3,150
M1712.5	9.64 through 15.84	\$43,480	\$315	Standard	\$3,150
M1712.5	16.49, 18.54, 19.72	\$51,538	\$315	Standard	\$3,150
M1713	11.22 through 17.16	\$46,927	\$315	Standard	\$3,150
M1713	17.98 through 20.06	\$55,156	\$315	Standard	\$3,150

note 1 - Other options are available; contact SPX Cooling Tech for price/leadtime.

note 2 - M Series are direct replacement for Amarillo®. W versions for large fans also available; contact SPX Cooling Tech for price/leadtime.

Rebuilt Geareducer - Rebuild Kit

Effective June 5th 2024

Remanufactured Geareducers		
Series	Suggested List Price	Core Credit
Reman 32.2	\$21,400	\$2,000
Reman 34.3T/34.4/3400	\$26,490	\$2,000
Reman 36/38/3600/4000	\$32,180	\$2,000
Reman 4000 (16.49 ratio and up)	Call WHQ	\$2,000

[read more](#)

Note

- Specific Geareducer Series used for a Rebuild is determined by SPX based on core availability at time of order.
- Core Credit is only applied if the Geareducer core is returned within 60 days to SPX, and all castings are in reusable condition.

- Models not available for purchase or exchange: 19 19A 26 26A 29 10T 10.1 11T 11.1 20 20T 20.1 20.2 1800 2000 21.1T 21.2 22.1 22.1T 27A 27A2 32 32.1T 34 34.1 34.2T.
- Contact SPX for lead-times.
- Standard Warranty is 3-year after date of shipment, per standard Aftermarket Warranty Certificate

Marley Geareducer Rebuild Kits		Gear Set note 1	Spiral Bevel Gear Set note 2	Helical Gear Set note 3	No Gears Set note 4
Series	Ratio				
32.2	7.56	\$17,695	\$9,393	\$13,403	\$5,099
	7.89	\$17,176	\$8,872	\$13,104	\$4,803
	8.80	\$18,450	\$10,147	\$13,403	\$5,099
	9.62	\$18,054	\$9,393	\$13,762	\$5,099
	10.16	\$17,192	\$8,887	\$13,403	\$5,099
	11.18	\$18,810	\$10,147	\$13,762	\$5,099
	12.93	\$17,550	\$8,887	\$13,762	\$5,099
	14.64	\$17,176	\$8,887	\$13,384	\$5,099
36	9.64	\$31,106	\$14,294	\$23,877	\$7,068
	10.83	\$23,484	\$14,294	\$16,256	\$7,068
	11.55	\$30,041	\$13,228	\$23,877	\$7,068
	12.98	\$22,420	\$13,228	\$16,256	\$7,068
	14.88	\$25,166	\$14,811	\$18,841	\$7,068
3600	9.64	\$25,839	\$15,353	\$18,612	\$8,125
	10.83	\$25,710	\$15,353	\$18,483	\$8,125
	11.55	\$24,775	\$14,289	\$18,612	\$8,125
	12.98	\$24,647	\$14,289	\$18,483	\$8,125
	14.88	\$24,811	\$14,453	\$18,483	\$8,125
4000	9.64	\$25,956	\$15,470	\$18,728	\$8,240
	10.83	\$25,827	\$15,470	\$18,597	\$8,240
	11.55	\$24,890	\$14,404	\$18,728	\$8,240
	12.18	\$27,747	\$17,836	\$18,151	\$8,240
	12.98	\$24,761	\$14,404	\$18,597	\$8,240
	13.24	\$25,053	\$14,566	\$18,728	\$8,240
	13.81	\$24,313	\$14,404	\$18,151	\$8,240
	14.88	\$24,924	\$14,566	\$18,597	\$8,240
	15.84	\$24,476	\$14,566	\$18,151	\$8,240
	16.49	\$41,421	\$30,935	\$18,728	\$8,240
	18.54	\$41,293	\$30,935	\$18,597	\$8,240
19.72	\$40,845	\$30,935	\$18,151	\$8,240	

note 1 - Kit includes both mated gear sets with integral pinion shaft, interstage shaft and hardware, top and bottom interstage bearing retainer plates, all bearings (six), oil seal (lip type), O-ring seals, shims, gaskets, and both slingers.

note 2 - Kit includes spiral-bevel mated gear set with integral pinion shaft and hardware, all bearings (six), oil seal (lip type), O-ring seals, shims, gaskets, and both slingers.

note 3 - Kit includes helical mated gear set with integral interstage shaft and hardware, top and bottom interstage bearing retainer plates, all bearings (six), oil seal (lip type), O-ring seals, shims, gaskets, and water slinger.

note 4 - Kit includes all bearings (six), oil seal (lip type), O-ring seals, shims, gaskets, and both slingers. No gear sets included.

These rebuild kits do not include: fan shaft, labyrinth ring, pinion cage, pinion cage cap, interstage bearing retainers or oil.



Amarillo Gear Box

Effective June 5th 2024



Amarillo® Gear Box			Options - List Price Add						
Model	Ratio	List Price	Mechanical Oil Pump	Oil Filter	Oil Heater and Thermostat	Pressure Switch	Oil Level Switch	Non-Reverse	Vibration Switch Plate
1008	7.5-10.5	contact SPX	contact SPX	contact SPX	contact SPX	contact SPX	contact SPX	contact SPX	contact SPX
1110	7.5, 8, 9-13	contact SPX	contact SPX	contact SPX	contact SPX	contact SPX	contact SPX	contact SPX	contact SPX
1311	8-12, 13-15	contact SPX	contact SPX	contact SPX	contact SPX	contact SPX	contact SPX	contact SPX	contact SPX
1311W	8-12, 13-15	contact SPX	contact SPX	contact SPX	contact SPX	contact SPX	contact SPX	contact SPX	contact SPX
1712	10, 11-16	contact SPX	contact SPX	contact SPX	contact SPX	contact SPX	contact SPX	contact SPX	contact SPX
1712W	10, 11-16	contact SPX	contact SPX	contact SPX	contact SPX	contact SPX	contact SPX	contact SPX	contact SPX
1712.5	11-17	contact SPX	contact SPX	contact SPX	contact SPX	contact SPX	contact SPX	contact SPX	contact SPX
1712.5W	11-17	contact SPX	contact SPX	contact SPX	contact SPX	contact SPX	contact SPX	contact SPX	contact SPX
1713	12, 12.5, 14-18	contact SPX	contact SPX	contact SPX	contact SPX	contact SPX	contact SPX	contact SPX	contact SPX
1713W	12, 12.5, 14-18	contact SPX	contact SPX	contact SPX	contact SPX	contact SPX	contact SPX	contact SPX	contact SPX
1814	all	contact SPX	contact SPX	contact SPX	contact SPX	contact SPX	contact SPX	contact SPX	contact SPX
2016	all	contact SPX	contact SPX	contact SPX	contact SPX	contact SPX	contact SPX	contact SPX	contact SPX

Gear Box Inspection / Repair

Effective June 5th 2024

Marley Geareducer Inspection/Repair			Inspection Only	Option 1	Option 2	Option 3	Option 4	Option 5
Series	Standard Ratio	QTC Part No	Includes inbound freight, inspection and report note 6 - 7	Bearings, seals, shims, misc.	Option 1 plus spiral bevel gears	Option 1 plus helical gears	Option 1 plus all gears	Option 1 plus all gears and fan shaft
32.2	all	GRDRINSP3	\$1,995	\$10,357	\$14,098	\$16,659	\$20,401	\$23,538
34.3T - 34.4 - 3400	all			\$12,766	\$17,117	\$21,070	\$25,422	\$28,247
36 - 38 - 3600 - 4000	9.64 through 15.84			\$17,006	\$23,144	\$25,996	\$32,137	\$36,151
4000	16.49, 18.54, 19.72			\$17,006	\$30,883	\$25,996	\$39,875	\$43,890

Amarillo Gear Box Inspection/Repair			Inspection Only	Option 1	Option 2	Option 3	Option 4	Option 5
Model	Standard Ratio	QTC Part No	Includes inbound freight, inspection and report note 6 - 7	Bearings, seals, shims, misc.	Option 1 plus spiral bevel gears	Option 1 plus helical gears	Option 1 plus all gears	Option 1 plus all gears and fan shaft
1008	7.5-10.5	GRDRINSPA	\$1,995	Contact SPX Cooling Technologies before quoting inspection				
1110	7.5, 8, 9-13			Contact SPX Cooling Technologies before quoting inspection				
1311	8-12, 13-15			Contact SPX Cooling Technologies before quoting inspection				
1311W	8-12, 13-15			Contact SPX Cooling Technologies before quoting inspection				
1712	10, 11-16			Contact SPX Cooling Technologies before quoting inspection				
1712W	10, 11-16			Contact SPX Cooling Technologies before quoting inspection				
1712.5	11-17			Contact SPX Cooling Technologies before quoting inspection				
1712.5W	11-17			Contact SPX Cooling Technologies before quoting inspection				
1713	12, 12.5, 14-18			Contact SPX Cooling Technologies before quoting inspection				
1713W	12, 12.5, 14-18			Contact SPX Cooling Technologies before quoting inspection				
1814	all			Contact SPX Cooling Technologies before quoting inspection				
2016	all			Contact SPX Cooling Technologies before quoting inspection				
A32	all			Contact SPX Cooling Technologies before quoting inspection				
A34	all			Contact SPX Cooling Technologies before quoting inspection				
A36	all			Contact SPX Cooling Technologies before quoting inspection				
A38	all			Contact SPX Cooling Technologies before quoting inspection				

Note

1. SPX Cooling Technologies will recommend the appropriate repair option based on inspection results.
2. The prices above are for standard repairs, which include bearings, shims, seals, O-rings, and misc. hardware plus gears and fan shaft when required.
3. The cost for any additional parts required for repair will be included with the inspection report pricing.
4. Fan hub and coupling will be scrapped unless otherwise noted. Removal and reinstallation of fan hub and/or coupling is available at a cost of \$140 per hour.
5. The prices above are based on a Geareducer/ gear box in reasonably clean condition. Labor Charges of \$140 per hour will be charged for excess cleaning time.
6. If lead paint is present on unit, additional cost will apply for special paint removal procedure.

7. Inspection Only Fee will be credited if customer decides to proceed with repair, or purchase a new or rebuilt unit in lieu of repair.
8. Inbound freight is covered by SPX. Outbound freight is only covered if customer proceeds with repair.
9. If customer does not proceed with repair, unit must be returned to customer unassembled, or disposed of by SPX. Return freight charge or disposal fee will be invoiced.
10. Sandblasting and paint are included in Options 1 through 5.
11. Geareducers not available for repair: 19, 19A, 26, 26A, 29, 10T, 10.1, 11T, 11.1, 20, 20T, 20.1, 20.2, 1800, 2000, 21.1T, 21.2, 22.1, 22.1T, 27A, 27A2, 32, 32.1T, 34, 34.1 and 34.2T.
12. Customer decision to proceed or not to proceed with repair must be received within 30 days after inspection report is distributed to customer.

Standard Lead Time

Inspection and report: One week after receipt of gear box at the Olathe, KS repair facility.
Repair and ship: Two to three weeks after customer approval to proceed.

[read more](#)

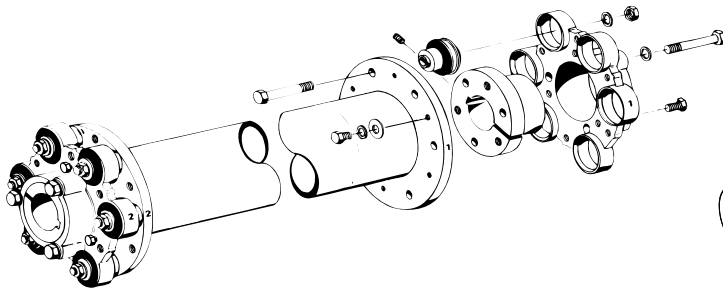
Warranty

One year after date of shipment per Aftermarket Warranty Certificate

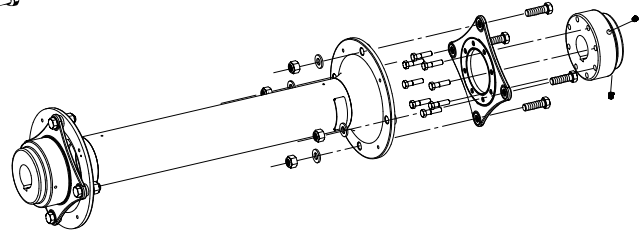


Marley Driveshaft

Effective June 5th 2024



301 Series Driveshaft [read more](#)



Comp-DS Series Driveshaft [read more](#)

Marley Driveshaft Assembly			Tube - Flange Material	Yoke - Bushing - Hardware - Split Taper Bushing Material	List Price
Series	Tube Diameter	Maximum horsepower and maximum length ^{note 1}			
301 Class 2	6" ID	300 hp - 11'-11 1/2" OAL	SS - SS	HDG - CAD Plate - SS - Cl or DI	\$6,635
301 Class 3		300 hp - 11'-11 1/2" OAL	SS - SS	316SS - SS - SS - 416SS	\$8,294
400H Class 2		300 hp - 12'-3 1/2" OAL	Fiberglass/Carbon Fiber Hybrid	HDG - EG - Iron - SS	\$9,492
400C Class 2		300 hp - 14'-0 1/2" OAL	Carbon Fiber	HDG - EG - Iron - SS	\$9,563
400M Class 2		300 hp - 15'-5 1/2" OAL	Carbon Fiber/High Mod CF	HDG - EG - Iron - SS	\$11,143
400H Class 4		300 hp - 12'-3 1/2" OAL	Fiberglass/Carbon Fiber Hybrid	316SS - 316SS - 416SS - 316SS	\$10,440
400C Class 4		300 hp - 14'-0 1/2" OAL	Carbon Fiber	316SS - 316SS - 416SS - 316SS	\$10,517
400M Class 4		300 hp - 15'-5 1/2" OAL	Carbon Fiber/High Mod CF	316SS - 316SS - 416SS - 316SS	\$12,257

Marley Comp-DS Driveshaft Assembly		Tube Material	Hub and Hardware Material	List Price
Series	Maximum horsepower and maximum length ^{note 1}			
COMP-4G	150 hp - 8'-7 1/2" OAL	Fiberglass	316 Stainless Steel	\$11,652
COMP-4H	200 hp - 10'-3 1/2" OAL	Fiberglass/Carbon Fiber Hybrid	316 Stainless Steel	\$12,163
COMP-4C	200 hp - 11'-7 1/2" OAL	Carbon Fiber	316 Stainless Steel	\$12,615
COMP-4M	200 hp - 12'-7 1/2" OAL	Carbon Fiber/High Mod CF	316 Stainless Steel	\$13,155
COMP-6H	300 hp - 12'-0 1/2" OAL	Fiberglass/Carbon Fiber Hybrid	316 Stainless Steel	\$14,017
COMP-6C	300 hp - 13'-9 1/2" OAL	Carbon Fiber	316 Stainless Steel	\$13,780
COMP-6M	300 hp - 15'-2 1/2" OAL	Carbon Fiber/High Mod CF	316 Stainless Steel	\$14,961

note 1 - Maximum horsepower based on 1800 RPM nominal motor speed; contact SPX Cooling Technologies for horsepower rating at other input speeds.

Marley 301/400 Driveshaft Replacement Wear Items				
Series	Insert Bushing ^{note 1}	Yoke Assembly ^{note 2}	Yoke Hardware Kit ^{note 3}	Split Taper Bushing ^{note 4}
301 Class 2 - 400 Class 2	\$62	\$2,308	\$74	\$732
301 Class 3 - 400 Class 4	\$128	\$5,259	\$329	\$1,336

Marley Comp-DS Driveshaft Replacement Wear Items			
Series	Flex Element ^{note 5}	Hub ^{note 6}	Hardware Kit ^{note 7}
COMP-4	\$1,518	\$1,090	\$250
COMP-6	\$1,822	\$1,311	\$250

Accessories	
Dial Indicator Alignment Kit	\$420

note 1 - Insert bushing price per individual bushing. There are 12 bushings per driveshaft.

note 2 - Yoke assembly price per yoke. There are 2 yokes per driveshaft. Yoke assembly includes the yoke and the insert bushings pressed fit

note 3 - Yoke hardware kit price per kit. There are 2 hardware kits used per driveshaft. Kit includes cap screws, lock washers, hex nuts, and set screw needed for attachment of yoke and split taper bushing.

note 4 - Split taper bushing price per bushing. There are 2 split taper bushings used per driveshaft. Bore size and keyway must be specified at time of order.

note 5 - Flex element price per flex element. There are 2 flex elements used per driveshaft.

note 6 - Hub price is per hub. There are 2 hubs used per driveshaft. Bore size and keyway must be specified at time of order.

note 7 - Hardware kit price is per kit. There are 2 hardware kits used per driveshaft. Kit includes cap screws, washers, nuts, set screws and Loctite for attachment of flex element and hub.



Addax Driveshaft

Effective June 5th 2024

Addax® Driveshaft Assembly		
Model	Hub and Hardware Material	List Price
LRF350.275	316 Stainless Steel	contact SPX
LRA350.275	316 Stainless Steel	contact SPX
LRR350.275	316 Stainless Steel	contact SPX
LRF375.275	316 Stainless Steel	contact SPX
LRA375.275	316 Stainless Steel	contact SPX
LRR375.275	316 Stainless Steel	contact SPX
LRF450.275	316 Stainless Steel	contact SPX
LRA450.275	316 Stainless Steel	contact SPX
LRR450.275	316 Stainless Steel	contact SPX
LRX450.275	316 Stainless Steel	contact SPX
LRF485.338	316 Stainless Steel	contact SPX
LRA485.338	316 Stainless Steel	contact SPX
LRR485.338	316 Stainless Steel	contact SPX
LRR485.425	316 Stainless Steel	contact SPX
LRX485.425	316 Stainless Steel	contact SPX
LRR485.625	316 Stainless Steel	contact SPX
LRA650.425	316 Stainless Steel	contact SPX
LRR650.425	316 Stainless Steel	contact SPX
LRX650.425	316 Stainless Steel	contact SPX
LRR650.625	316 Stainless Steel	contact SPX
LRX650.625	316 Stainless Steel	contact SPX
LRR650.825	316 Stainless Steel	contact SPX
LRX650.825	316 Stainless Steel	contact SPX
LRA850.625	316 Stainless Steel	contact SPX
LRR850.625	316 Stainless Steel	contact SPX
LRX850.625	316 Stainless Steel	contact SPX
LRR850.825	316 Stainless Steel	contact SPX
LRX850.825	316 Stainless Steel	contact SPX
LRX850.1025	316 Stainless Steel	contact SPX
LRX850.1275	316 Stainless Steel	contact SPX



Marley Fan

Effective June 5th 2024

Marley Fan							
Model	Diameter in	Diameter ft	Blade Count	Fan Assembly List Price	Fan Blade List Price hardware not included	Triple Epoxy Coated Hub - Add	316 Stainless Steel Hardware - Add
FAN HP7192-06	192	16	6	\$11,471	\$1,950	\$450	\$2,438
FAN HP7192-07			7	\$12,995	\$2,275	\$525	\$2,438
FAN HP7192-08			8	\$14,925	\$2,600	\$600	\$2,438
FAN HP7192-09			9	\$16,738	\$2,925	\$675	\$2,438
FAN HP7216-06	216	18	6	\$11,803	\$1,950	\$450	\$2,438
FAN HP7216-07			7	\$13,722	\$2,275	\$525	\$2,438
FAN HP7216-08			8	\$15,235	\$2,600	\$600	\$2,438
FAN HP7216-09			9	\$16,897	\$2,925	\$675	\$2,438
FAN HP7240-06	240	20	6	\$12,347	\$1,950	\$450	\$2,438
FAN HP7240-07			7	\$14,092	\$2,275	\$525	\$2,438
FAN HP7240-08			8	\$16,046	\$2,600	\$600	\$2,438
FAN HP7240-09			9	\$17,856	\$2,925	\$675	\$2,438
FAN HP7240-10			10	\$21,504	\$3,250	\$750	\$2,438
FAN HP7264-06	264	22	6	\$18,621	\$2,550	\$450	\$3,470
FAN HP7264-07			7	\$20,270	\$2,975	\$525	\$3,470
FAN HP7264-08			8	\$23,117	\$3,400	\$600	\$3,470
FAN HP7264-09			9	\$25,701	\$3,825	\$675	\$3,470
FAN HP7264-10			10	\$27,020	\$4,250	\$750	\$3,470
FAN HP7264-11			11	\$28,250	\$4,675	\$825	\$3,470
FAN HP7264-12			12	\$33,039	\$5,100	\$900	\$3,470
FAN HP7264-14			14	\$43,012	\$5,950	\$1,050	\$3,470
FAN HP7288-06	288	24	6	\$22,623	\$2,550	\$450	\$3,470
FAN HP7288-07			7	\$24,783	\$2,975	\$525	\$3,470
FAN HP7288-08			8	\$26,274	\$3,400	\$600	\$3,470
FAN HP7288-09			9	\$29,133	\$3,825	\$675	\$3,470
FAN HP7288-10			10	\$30,711	\$4,250	\$750	\$3,470
FAN HP7288-11			11	\$32,770	\$4,675	\$825	\$3,470
FAN HP7288-12			12	\$35,666	\$5,100	\$900	\$3,470
FAN HP7288-14			14	\$48,667	\$5,950	\$1,050	\$3,470
FAN HP7312-07	312	26	7	\$26,157	\$2,975	\$525	\$3,744
FAN HP7336-06	336	28	6	\$20,603	\$2,550	\$450	\$3,744
FAN HP7336-07			7	\$23,089	\$2,975	\$525	\$3,744
FAN HP7336-08			8	\$26,610	\$3,400	\$600	\$3,744
FAN HP7336-09			9	\$29,098	\$3,825	\$675	\$3,744
FAN HP7336-10			10	\$32,365	\$4,250	\$750	\$3,744
FAN HP7336-11			11	\$33,561	\$4,675	\$825	\$3,744
FAN HP7336-12			12	\$37,595	\$5,100	\$900	\$3,744
FAN HP7336-14			14	\$46,551	\$5,950	\$1,050	\$3,744
FAN HP7360-06	360	30	6	\$23,949	\$3,150	\$450	\$3,744
FAN HP7360-07			7	\$25,886	\$3,675	\$525	\$3,744
FAN HP7360-08			8	\$28,535	\$4,200	\$600	\$3,744
FAN HP7360-09			9	\$31,243	\$4,725	\$675	\$3,744
FAN HP7360-10			10	\$34,755	\$5,250	\$750	\$3,744
FAN HP7360-12			12	\$40,735	\$6,300	\$900	\$3,744
FAN HP7360-14			14	\$52,190	\$7,350	\$1,050	\$3,744

Note - Fan assembly includes: fiberglass fan blades, hub seal disk, galvanized steel plate hub, painted ductile iron center hub, painted cast iron blade clamps and series 300 stainless steel hardware. Other material grades/coatings are available; contact SPX Cooling Technologies for price/leadtime.



Marley Fan

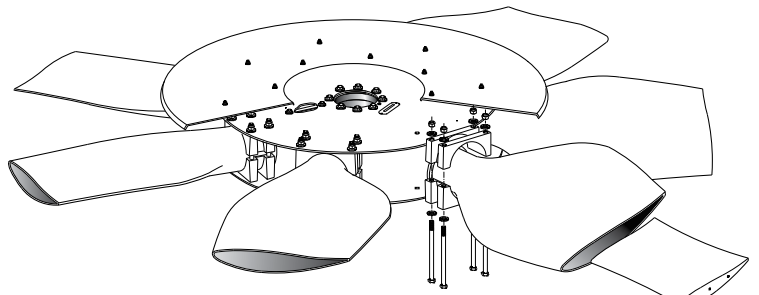
Effective June 5th 2024

Marley Fan							
Model	Diameter in	Diameter ft	Blade Count	Fan Assembly List Price	Fan Blade List Price hardware not included	Triple Epoxy Coated Hub - Add	316 Stainless Steel Hardware - Add
FAN HP7384-07	384	32	7	\$30,653	\$3,675	\$450	\$4,217
FAN HP7384-08			8	\$34,307	\$4,200	\$525	\$4,217
FAN HP7384-09			9	\$37,784	\$4,725	\$600	\$4,217
FAN HP7384-10			10	\$42,544	\$5,250	\$675	\$4,217
FAN HP7384-12			12	\$49,107	\$6,300	\$750	\$4,217
FAN HP7394-06	394	32.8	6	\$27,773	\$3,150	\$1,500	\$4,217
FAN HP7394-07			7	\$31,544	\$3,675	\$1,750	\$4,217
FAN HP7394-08			8	\$34,594	\$4,200	\$2,000	\$4,217
FAN HP7394-09			9	\$38,069	\$4,725	\$2,250	\$4,217
FAN HP7394-10			10	\$42,830	\$5,250	\$2,500	\$4,217
FAN HP7394-11			11	\$44,070	\$5,775	\$2,750	\$4,217
FAN HP7394-12			12	\$49,384	\$6,300	\$3,000	\$4,217
FAN HP7394-14			14	\$56,011	\$7,350	\$3,500	\$4,217

Note - Fan assembly includes: fiberglass fan blades, hub seal disk, galvanized steel plate hub, painted ductile iron center hub, painted cast iron blade clamps and series 300 stainless steel hardware. Other material grades/coatings are available; contact SPX Cooling Technologies for price/leadtime.



HP7000 Fan [read more](#)



HP7000 Fan Assembly

Hudson Fan

Effective June 5th 2024

Hudson Tuf-Lite® III Fan					
Model	Diameter in	Diameter ft	Blade Count	Fan Assembly List Price	Fan Blade List Price
APT-22K-#	264	22	6 through 20	contact SPX	contact SPX
APT-24K-#	288	24	6 through 20	contact SPX	contact SPX
APT-26K-#	312	26	6 through 20	contact SPX	contact SPX
APT-28K-#	336	28	6 through 20	contact SPX	contact SPX
APT-30K-#	360	30	6 through 20	contact SPX	contact SPX
APT-32K-#	384	32	6 through 20	contact SPX	contact SPX
APT-32.8K-#	394	32.8	6 through 20	contact SPX	contact SPX
APT-33K-#	396	33	6 through 20	contact SPX	contact SPX

Hudson Tuf-Lite® II Fan					
Model	Diameter in	Diameter ft	Blade Count	Fan Assembly List Price	Fan Blade List Price
APT-34H7-#	408	34	6 through 14	contact SPX	contact SPX
APT-36H7-#	432	36	6 through 17	contact SPX	contact SPX
APT-40H-#	480	40	6 through 16	contact SPX	contact SPX

Marley Fan Cylinder

Effective June 5th 2024

New Design Large Diameter 10' Tall Marley Fan Cylinder Assembly					
Style	Diameter in	Diameter ft	Height ft	List Price	Fire Retardant List Price
V-Rib	336	28	10	\$20,167	\$24,101
V-Rib	360	30		\$21,435	\$25,672
V-Rib	384	32		\$22,761	\$27,300
V-Rib	394	32.8		\$23,381	\$28,021

Marley Fan Cylinder Assembly							
Style	Diameter in	Diameter ft	Height ft	List Price	Fire Retardant List Price		
H-Rib	120	10	6	\$7,816	\$10,568		
H-Rib	144	12	6	\$11,507	\$13,698		
H-Rib			10	\$17,872	\$21,039		
V-Rib	168	14	6	\$8,217	\$10,270		
H-Rib			7	\$11,382	\$14,227		
V-Rib			7	\$12,800	\$15,355		
H-Rib			10	\$17,116	\$21,395		
V-Rib			10	\$14,681	\$18,351		
Reflex V-Rib			10	\$14,573	\$17,021		
V-Rib			192	16	6	\$8,638	\$10,798
V-Rib					10	\$16,570	\$20,213
V-Rib	6	\$12,510			\$15,638		
H-Rib	216	18	7	\$15,741	\$20,654		
V-Rib			10	\$18,589	\$23,235		
Reflex V-Rib			10	\$18,498	\$22,156		
V-Rib			6	\$16,039	\$20,048		
V-Rib	240	20	10	\$21,143	\$25,504		
V-Rib			14	\$32,663	\$40,829		
V-Rib			6	\$16,073	\$20,091		
V-Rib			10	\$24,543	\$30,680		
Reflex V-Rib	264	22	12	\$25,857	\$30,444		
V-Rib			14	\$32,168	\$40,209		
Reflex V-Rib			12	\$28,105	\$33,142		
V-Rib	288	24	18	\$43,276	\$54,094		
Reflex V-Rib			7	\$20,809	\$26,010		
Reflex V-Rib			14	\$31,597	\$38,208		
V-Rib			18	\$53,137	\$66,423		
X-Rib	336	28	18	\$59,534	\$74,417		
Reflex V-Rib			7	\$22,250	\$27,813		
Reflex V-Rib			14	\$33,755	\$40,840		
X-Rib			18	\$70,499	\$88,124		
Reflex V-Rib	360	30	14	\$35,940	\$43,497		
Reflex V-Rib			14	\$37,475	\$45,323		
X-Rib			18	\$69,436	\$86,795		

NOTES:

(1) Pricing includes: FRP spray layup segments, seal sheets, standard S300 segment hardware, gaskets, and sealer as required, per fan cylinder. Anchorage hardware is NOT included and is sold separately.

(2) Special options, expedited leadtimes, or other non-standard considerations will incur additional cost. Contact WHQ for pricing & leadtime.

[read more](#)



Midwest Fan Cylinder

Effective June 5th 2024

Midwest Fan Cylinder Assembly				
Diameter in	Diameter ft	Height ft	List Price	Fire Retardant List Price
60	5	8	contact SPX	contact SPX
72	6	2 - 2.6 - 4 - 6	contact SPX	contact SPX
78	6.5	7	contact SPX	contact SPX
84	7	3 - 3.6 - 4 - 6	contact SPX	contact SPX
96	8	3 - 3.6 - 4 - 6 - 9	contact SPX	contact SPX
108	9	2 - 6 - 7	contact SPX	contact SPX
120	10	2 - 3.6 - 4 - 6 - 8 - 10	contact SPX	contact SPX
132	11	3 - 6 - 7 - 14	contact SPX	contact SPX
144	12	2 - 4 - 3 - 4 - 6 - 10	contact SPX	contact SPX
156	13	1.5 - 6 - 7.6	contact SPX	contact SPX
168	14	3 - 4 - 4.75 - 6 - 6.6 - 10 - 18	contact SPX	contact SPX
183	15.25	6	contact SPX	contact SPX
180	15	6.6 - 10	contact SPX	contact SPX
192	16	6	contact SPX	contact SPX
216	18	6 - 7 - 8 - 10 - 14 - 18	contact SPX	contact SPX
228	19	6	contact SPX	contact SPX
240	20	6 - 7 - 10 - 13 - 14 - 20	contact SPX	contact SPX
264	22	6 - 7 - 10 - 12 - 14	contact SPX	contact SPX
288	24	6 - 10 - 14 - 18	contact SPX	contact SPX
312	26	6 - 7 - 10 - 14 - 18	contact SPX	contact SPX
336	28	6 - 7.25 - 10 - 11.3 - 14 - 16.4 - 18 - 24	contact SPX	contact SPX
360	30	6 - 10 - 14 - 16.4 - 18	contact SPX	contact SPX
384	32	6 - 7 - 10 - 14 - 16.4 - 18'	contact SPX	contact SPX
389.76	32.48	7 - 8 - 10 - 16.4	contact SPX	contact SPX
393.75	32.8	6 - 7 - 10 - 14 - 18	contact SPX	contact SPX
408	34	13.12	contact SPX	contact SPX
432	36	6 - 7 - 10 - 14	contact SPX	contact SPX
480	40	10 - 14 - 20'	contact SPX	contact SPX

Marley Counterflow Film Fill

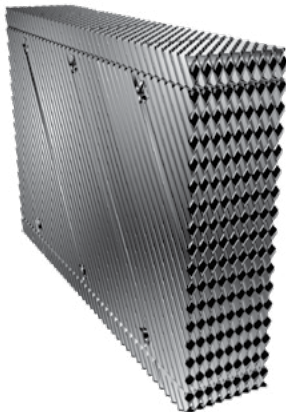
Effective June 5th 2024

Marley Counterflow Film Fill				
Product	PVC Sheet Thickness Before Forming - After Forming in	Air Travel - Pack Depth in	Standard Pack Size width x length in	List Price/cubic foot
MC75	.015 -.010	12	12 x 72	\$8.58
	.015 -.010	24		\$8.58
	.015 -.010	48		\$8.58
	.022 -.015	12		\$10.55
	.022 -.015	24		\$10.55
	.022 -.015	48		\$10.55
DF254	.020 -.012	15.75	12 x 72	\$8.58
	.020 -.012	47.25		\$8.58
	.026 -.015	15.75		\$10.55
	.026 -.015	47.25		\$10.55
FB20	.015 -.010	11.80	11.13 x 72	\$8.58
	.015 -.010	23.63		\$8.58
	.015 -.010	47.25		\$8.58
	.020 -.015	11.80		\$10.55
	.020 -.015	23.6		\$10.55
	.020 -.015	47.25		\$10.55
MVC20	.015 -.010	16	11.2 x 72	\$9.33
	.015 -.010	24		\$9.33
	.015 -.010	48		\$9.33
	.020 -.015	16		\$11.71
	.020 -.015	24		\$11.71
	.020 -.015	48		\$11.71

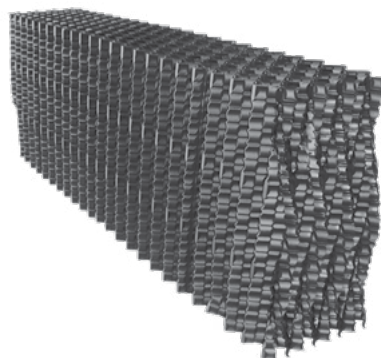


FB20 Film Fill [read more](#)

Note 1 - SPX to determine fill origin (Olathe, KS or York, PA) based on destination.
 Note 2 - Standard price above includes pallets. If pallets are not desired, contact SPX.
 Note 3 - Factory pack cutting charge of \$0.10 per cubic foot. Applies to non-standard pack sizes. Standard packs shown above.
 Note 4 - Price per cubic foot applies to standard pack sizes as shown. Deviations from standard pack size may result in price surcharge.



MC75 Film Fill [read more](#)



DF254 Film Fill [read more](#)



MVC20 Film Fill [read more](#)

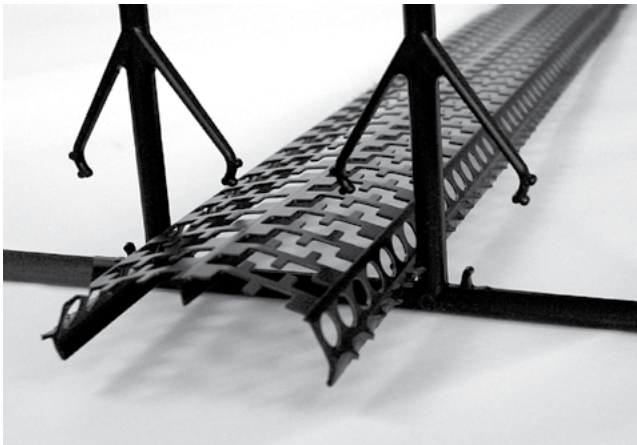


Marley Crossflow Splash Fill

Effective June 5th 2024

Marley Crossflow Splash Fill Bars		
Product	PVC Thickness in	List Price/linear foot
Mesa	.050	\$0.88
Alpha III	.050	\$0.84
Alpha IIIC (wingless)	.050	\$0.84
Omega	.050	\$0.67

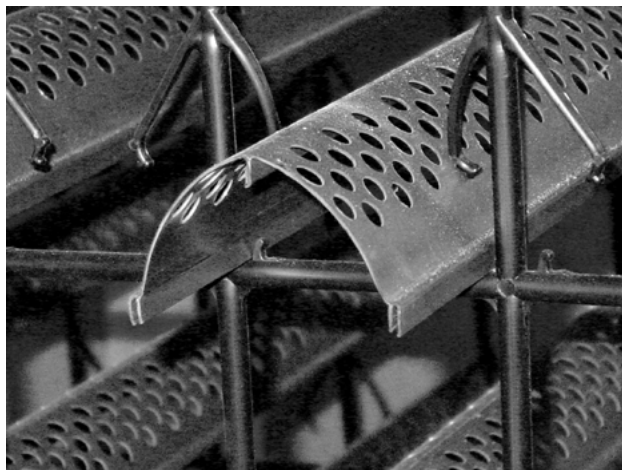
Note - Grids and bench ties are also available. Contact SPX for price/leadtime.



Mesa Splash Fill [read more](#)



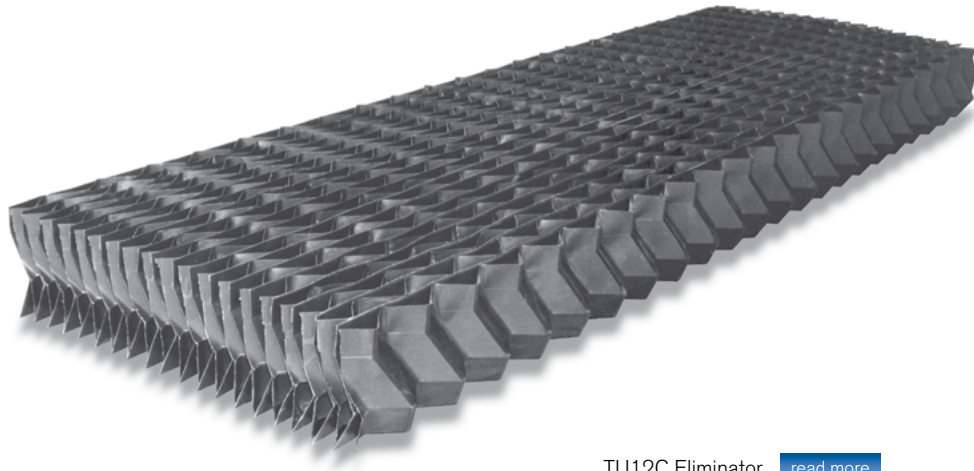
Alpha III Splash Fill [read more](#)



Omega Splash Fill [read more](#)

Marley XCEL TU Eliminator

Effective June 5th 2024



TU12C Eliminator [read more](#)

Marley XCEL® TU Eliminator Packs			
Product	PVC Thickness in	Standard Pack Size width x length in	List Price/square foot
TU12C Counterflow	.017	24 x 72	\$6.17
TU12C Counterflow	.017	24 x 144	\$6.17
TU12C Counterflow	.020	24 x 144	\$6.91
TU12X Crossflow	.017	9.6 x 144	\$6.17
TU12X Crossflow	.020	9.6 x 144	\$6.91

Note - Additional palleting charge of \$0.20 per sq ft. Factory pack cutting charge of \$0.10 per sq ft.
Widths available - 9.6", 14.4", 24" and 19.2"

Marley Crossflow Nozzle

Effective June 5th 2024

Product	Orifice Diameter in	Model Number	Item Number	List Price - Each
Metering Orifice No Diffuser	Blank	59-2548-0	054353	\$9.17
	1/4	59-2548-16	026310	\$9.17
	19/32	59-2548-19	510651	\$9.17
	11/16	59-2548-22	026336	\$9.17
	13/16	59-2548-26	026344	\$9.17
	15/16	59-2548-30	026351	\$9.17
	1 1/8	59-2548-36	026369	\$9.17
	1 5/16	59-2548-42	026377	\$9.17
	1 1/2	59-2548-48	026385	\$9.17



Product	Orifice Diameter in Nominal - Actual - Color	Model Number	Item Number	List Price - Each
Spiral Target Nozzle Short Stem	Blank	68-3738-1	D44548	\$7.63
	25/64 - .362 - Light Gray	68-3738-25	D44535	\$7.63
	27/64 - .400 - Dark Blue	68-3738-27	D44536	\$7.63
	15/32 - .439 - Yellow	68-3738-30	D44537	\$7.63
	39/64 / .490 - Red	68-3738-33	D44538	\$7.63
	9/16 - .531 - Brown	68-3738-36	D44539	\$7.63
	39/64 - .580 - Tan	68-3738-39	D44540	\$7.63
	21/32 - .621 - White	68-3738-42	D44541	\$7.63
	45/64 - .700 - Black	68-3738-45	D44542	\$7.63
	51/64 - .800 - Green	68-3738-51	D44543	\$7.63
	15/16 - .900 - Dark Gray	68-3738-60	D44544	\$7.63
	1 1/32 - 1.000 - Blue	68-3738-66	D44545	\$7.63
	1 1/8 - 1.099 - Orange	68-3738-72	D44546	\$7.63
	1 5/16 - 1.310 - Black	68-3738-84	D44547	\$7.63

[read more](#)



Product	Orifice Diameter in Nominal - Actual - Color	Model Number	Item Number	List Price - Each
Spiral Target Nozzle Long Stem	Blank	71-3462-1	395277	\$8.32
	25/64 - .362 - Light Gray	71-3462-25	542043	\$8.32
	27/64 - .400 - Dark Blue	71-3462-27	509430	\$8.32
	15/32 - .439 - Yellow	71-3462-30	451781	\$8.32
	39/64 / .490 - Red	71-3462-33	059923	\$8.32
	9/16 - .531 - Brown	71-3462-36	062976	\$8.32
	39/64 - .580 - Tan	71-3462-39	150680	\$8.32
	21/32 - .621 - White	71-3462-42	063503	\$8.32
	45/64 - .700 - Black	71-3462-45	151019	\$8.32
	51/64 - .800 - Green	71-3462-51	065425	\$8.32
	15/16 - .900 - Dark Gray	71-3462-60	577502	\$8.32
	1 1/32 - 1.000 - Blue	71-3462-66	036251	\$8.32
	1 1/8 - 1.099 - Orange	71-3462-72	279208	\$8.32
	1 5/16 - 1.310 - Black	71-3462-84	203463	\$8.32

[read more](#)



Product	Orifice Diameter in	Model Number	Item Number	List Price - Each
Spiral Target Nozzle Sigma	.400	90-4242-101	C20932	\$8.32
	.440	90-4242-102	C20933	\$8.32
	.490	90-4242-103	C20934	\$8.32
	.530	90-4242-104	C20935	\$8.32
	.580"	90-4242-105	C20936	\$8.32
	.620	90-4242-106	C20937	\$8.32
	.700	90-4242-107	C20938	\$8.32
	.800	90-4242-108	C20939	\$8.32
	.900	90-4242-109	C20940	\$8.32
	1.000	90-4242-110	C20941	\$8.32

[read more](#)



Product	Orifice Diameter in	Model Number	Item Number	List Price - Each
NX Nozzle	1 7/8	86-4913-188	294843	\$60.00
	2 1/2	86-4913-250	266361	\$60.00

[read more](#)



Marley Counterflow Nozzle

Effective June 5th 2024

Product	Orifice Diameter - Color in	Model Number	Nozzle Item Number	List Price - Each	Diffusion Ring Item Number	List Price - Each
NS5A read more	1 - Blue	82-42705-64	570481	\$15.00	B49969	\$7.39
	1 1/8 - Orange	82-42705-72	146852	\$15.00	B49969	\$7.39
	1 1/4 - Brown	82-42705-80	A19866	\$15.00	B49969	\$7.39
	1 3/8 - Grey	82-42705-88	A18675	\$15.00	B49969	\$7.39
	1 1/2 - Green	82-42705-96	094011	\$15.00	B49969	\$7.39
	1 5/8 - Red	82-42705-104	147835	\$15.00	B49969	\$7.39
	1 3/4 - Tan	82-42705-112	813055	\$15.00	B49969	\$7.39
	1 7/8 - Yellow	82-42705-120	426866	\$15.00	B49969	\$7.39
Product	Orifice Diameter in	Model Number	Nozzle Item Number	List Price - Each	Diffusion Ring Item Number	List Price - Each
NS6	2	83-4646-128	B41022	\$24.00	750851	\$9.25
	2 1/4	83-4646-144	A96806	\$24.00	750851	\$9.25
	2 1/2	83-4646-160	A76021	\$24.00	750851	\$9.25
	3	83-4646-192	A77474	\$24.00	750851	\$9.25
	3 1/2	83-4646-224	517029	\$24.00	750851	\$9.25

Product	Component	Model Number	Item Number	List Price - Each	Quantity per Assembly
NS5A - NS6 Components	Branch Arm	80-450-1	667030	\$28.00	1
	Branch Arm Coupling	80-43104-3	334078	\$5.19	2
	Branch Arm EPDM Gasket	80-2939-1	667048	\$19.00	1
Product	Component	Pipe Size	Item Number	List Price - Each	Quantity per Assembly
Original Design Band-It Connection Parts	Band-It Assembly - Stainless Steel	6" Diameter	861245	\$5.53	2
	Band-It Assembly - Stainless Steel	8" Diameter	452276	\$5.31	2
	Band-It Assembly - Stainless Steel	10" Diameter	861302	\$7.11	2
	Band-It Scru-Seal Clamp		209403	\$21.00	
	Band-It 3/8"x 100'-0 Roll		069625	\$93.00	
Product	Orifice Diameter in	Pipe Size	Item Number	List Price - Each	Quantity per Assembly
Current Design Connection Parts read more	Attaching Bar - Stainless Steel	6" Diameter	2082543	\$13.00	1
	Attaching Bar - Stainless Steel	8" Diameter	2064397	\$44.00	1
	Attaching Bar - Stainless Steel	10" Diameter	2128697	\$32.00	1
	Shim - Stainless Steel		2065630	\$5.01	1
	Washer		053900	\$0.05	2
	Sealing Washer - Stainless Steel		274860	\$0.16	2
	Self-Locking Nut - Stainless Steel		B18412	\$0.11	2



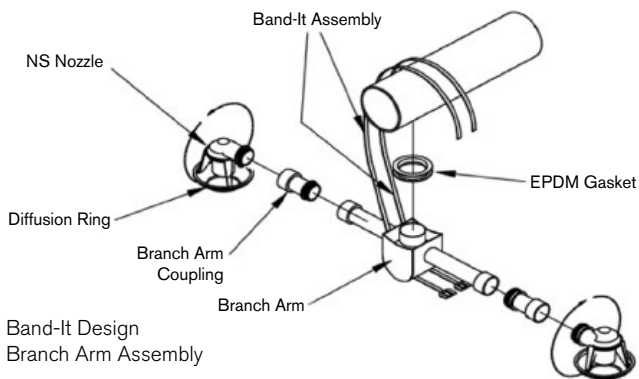
NS5A Nozzle



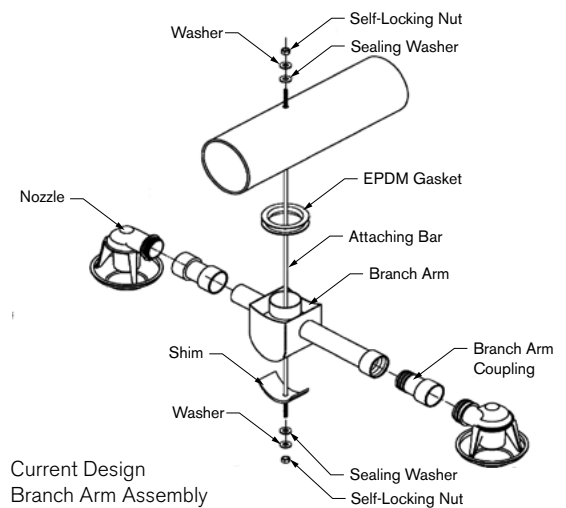
NS6 Nozzle



Branch Arm Coupling



Band-It Design Branch Arm Assembly



Current Design Branch Arm Assembly

Ceramic Nozzle

Effective June 5th 2024

Ceramic [®] Nozzle			
Product		Model Number	List Price each
Nozzle ABS Munters	Square Full Cone	04-034-003	\$31.00
Nozzle Nylon 1B Orifice	For Munters (04)	04-035-051	\$3.75
Nozzle Nylon 1C Orifice	For Munters Nozzle	04-035-052	\$3.59
Nozzle Nylon Turbulator	1A-Munters Nozzle	04-035-060	\$15.00
Nozzle Nylon Turbulator	1B-Munters Nozzle	04-035-061	\$12.00
Nozzle Nylon Turbulator	1C-Munters Nozzle	04-035-062	\$7.09
Nozzle Nylon Turbulator	1D-Munters Nozzle	04-035-063	\$6.43
Nozzle Adapter ABS Munters	2" Thread	04-351-100	\$29.00
Nozzle ABS 1 1/4" Diameter		04-034-001	\$13.00
Nozzle ABS 1 1/4" Orifice x 3/4"	Blue	04-035-001	\$16.00
Nozzle ABS 1 1/4" Orifice x 7/8"	Yellow	04-035-002	\$16.00
Nozzle ABS 1 1/4" Orifice x 1"	Brown	04-035-003	\$16.00
Nozzle ABS 1 1/4" Orifice x 1 1/8"	Green	04-035-004	\$16.00
Nozzle ABS 1 1/4" Orifice x 5/8"	Red	04-035-005	\$16.00
Nozzle ABS 1 1/4" Orifice x 9/16"	Black	04-035-006	\$16.00
Nozzle ABS 1 1/4" Orifice x 1/2"	White	04-035-007	\$16.00
Nozzle ABS 1 1/4" Orifice x 7/16"	Purple	04-035-008	\$16.00
Nozzle Adapter Snap-In	1 1/4" x 4"	04-036-001	\$5.12
Nozzle Extension ABS	1 1/4" Diameter x 4 1/4"	04-354-001	\$4.53
Nozzle Extension ABS	1 1/4" Diameter x 6 1/4"	04-354-002	\$6.95



Nozzle ABS Munters



Ceramic ABS Nozzle

Ecodyne Nozzle

Effective June 5th 2024

Ecodyne® Nozzle		
Product	Model Number	List Price each
Nozzle WP/CF 1¼" Diameter	591-0417-285	\$19.00
Nozzle MP/CF 1¼" Orifice	591-0418-285	\$19.00
Nozzle WP/CF 1½" Orifice	591-0419-285	\$19.00
Nozzle MP/CF 1½" T60	591-0420-285	\$19.00
Nozzle WP/CF 1" T60	591-0421-285	\$19.00
Nozzle MP/CF T60 1" Orifice	591-0422-285	\$19.00
Nozzle WP/CF ⅝" Orifice	591-0423-285	\$19.00
Nozzle MP/CF 4⅞" Orifice	591-0424-285	\$19.00
Nozzle WP/CF ⅝" Orifice	591-0425-285	\$19.00
Nozzle MP/CF 5¼" Orifice	591-0426-285	\$19.00
Nozzle CDN 2" Orifice	591-0575-285	\$29.00
Nozzle Crossflow CDN 1⅞" Diameter	591-0576-285	\$29.00
Nozzle CDN 1¾" Orifice	591-0577-285	\$29.00
Nozzle CDN 2¼" Orifice	591-0581-285	\$29.00
Nozzle Crossflow CDN 2⅞" Diameter	591-0582-285	\$29.00
Nozzle CDN 2⅞" Orifice	591-0809-285	\$17.00
Nozzle Body CNC Clog Free	591-0812-285	\$17.00
Nozzle Insert CNC 1⅞" Diameter	591-0818-285	\$5.18
Nozzle XF/CF 1¼" Round Edge	591-0834-285	\$5.80
Nozzle XF/CF 1⅞" Round Edge	591-0835-285	\$5.80
Nozzle XF/CF ¾" T70 Square Edge	591-0840-285	\$5.80
Nozzle XF/CF ⅞" Orifice Square Edge	591-0841-285	\$5.38
Nozzle XF/CF 1" Diameter Square Edge	591-0842-285	\$5.80
Nozzle XF/CF 1⅞" Square Edge	591-0843-285	\$5.80
Nozzle XF/CF 1¼" Square Edge	591-0844-285	\$5.80
Nozzle XF/CF 1⅞" Square Edge	591-0845-285	\$5.80
Nozzle MCF ¾" Orifice Square Edge	591-1029-285	\$5.80
Nozzle MCF ⅞" Orifice Square Edge	591-1030-285	\$5.80
Nozzle MCF 1" Square Edge	591-1031-285	\$5.80
Nozzle MCF 1⅞" Square Edge	591-1032-285	\$5.80
Nozzle MCF 1¼" Square Edge	591-1033-285	\$5.80
Nozzle MCF 1⅞" Square Edge	591-1034-285	\$5.80
Nozzle LH-6½" Orifice	591-1053-285	\$9.46
Nozzle LH-D1 Snap-In Crossflow ¾" Orifice	591-1054-285	\$8.76
Nozzle LH-D1 Snap-In Plastic Crossflow	591-1055-285	\$10.09



Ecodyne MP Nozzle



Ecodyne CDN Nozzle



Ecodyne XF/CF Nozzle

Ecodyne Nozzle

Effective June 5th 2024

Ecodyne Nozzle		
Product	Model Number	List Price each
Nozzle SFF 2" NPT Thread - S59079	591-1064-285	\$20.00
Nozzle SFF 2" RCT Thread - S59080	591-1065-285	\$18.00
Nozzle Insert SFF 1.65" Brown - S59081	591-1072-291	\$2.47
Nozzle Insert 1.58" Purple	591-1073-291	\$2.47
Nozzle Insert SFF 1.51" Grey - S59083	591-1074-291	\$2.47
Nozzle Insert SFF 1.44" Tan - S59084	591-1075-291	\$2.47
Nozzle Insert SFF 1.37" Dark Blue - S59085	591-1076-291	\$2.47
Nozzle Insert SFF 1.33" Gold - S59086	591-1077-291	\$2.47
Nozzle Insert SFF 1.28" Maroon - S59087	591-1078-291	\$2.47
Nozzle Insert SFF 1.25" Black - S59088	591-1079-291	\$2.47
Nozzle Insert SFF 1.22" Orange - S59089	591-1080-291	\$2.47
Nozzle Insert SFF 1.18" Dark Green - S59090	591-1081-291	\$2.47
Nozzle Insert SFF 1.13" Light Blue - S59091	591-1082-291	\$2.47
Nozzle Insert SFF 1.09" Red - S59092	591-1083-291	\$2.47
Nozzle Insert SFF 1.05" White	591-1084-291	\$2.47
Nozzle Insert SFF 1.01" Yellow - S59094	591-1085-291	\$2.47
Nozzle Insert .875" Lime Green - S59161	591-1095-291	\$2.47
Nozzle Adapter 4" Diameter x 2" NPT	591-1104-289	\$6.89
Nozzle Adapter 6" Diameter x 2" NPT	591-1106-289	\$6.75
Nozzle Adapter SFF/RC 6" Dia x 2" Rct	591-1107-289	\$9.02
Nozzle Adapter 8" Diameter x 2" NPT	591-1108-289	\$6.75
Nozzle Adapter 8" Diameter x 2" Rct	591-1109-289	\$9.02
Nozzle Adapter 10" Diameter x 2" NPT	591-1110-289	\$6.75
Nozzle Adapter 10" Dia x 12" Dia x 2" Rct	591-1111-289	\$9.02
Nozzle Insert SFF .81" Pink - S59512	591-1127-291	\$2.47
Nozzle Insert .69" Olive Green - S59529	591-1128-291	\$2.47
Nozzle Adapter 1.5" NPT x 2" NPT	591-1129-289	\$4.73
Nozzle Insert SFF .91" Light Green - S59851	591-1137-291	\$2.47
Nozzle Insert SFF .94" Taupe - S59852	591-1138-291	\$2.47



Ecodyne SFF Nozzle



SFF Nozzle Inserts

Hamon Nozzle

Effective June 5th 2024

Hamon® Nozzle				
Product		Model Number	List Price each	
ATP French Nozzle with Wood Thread	Yellow	D66132 / 2522562	\$11.00	
ATP French Nozzle with 2" NPT Thread	Green	2596075	\$11.00	
ATP French Nozzle with Yoke Thread	Tan	D92446 / 2522563	\$11.00	
Nozzle Plas Adapter Flat - Yoke Thread	Light Gray HT-NA-71067000	E30142	\$6.51	
Nozzle Plas Adapter 10" - Yoke Thread	Brown HT-NAa-71067010	D66126	\$6.51	
Nozzle Plas Adapter 8" - Yoke Thread	Green HT-NA-71067008	D66125	\$6.51	
Nozzle Plas Adapter 6" - Yoke Thread	Black HT-NA-71067006	D66124	\$6.51	
Nozzle Plas Vap Sprayer		D66127	\$2.55	
Nozzle Plas Adapter Flat - Wood Thread	White HT-NA-W0	D66123	\$6.51	
Nozzle Plas Adapter 10"- Wood Thread	HT-NA-W10	D66128	\$6.51	
Nozzle Plas Adapter 8" - Wood Thread	Yellow HT-NA-W8	D66131	\$6.51	
Nozzle Plas Adapter 6" - Wood Thread	Red HT-NA-W6	D66130	\$6.51	
Nozzle Plas Adapter 4" - Wood Thread	Gray HT-NA-W4	D66129	\$6.51	
Hamon Yoke Body	HT-NB-Yoke	D66133	\$20.00	
Nozzle Plas Orifice 16mm	Brown HT-OR-74671016	D66134	\$1.30	
Nozzle Plas Orifice 18mm	Natural HT-OR-74671018	D66135	\$1.30	
Nozzle Plas Orifice 20mm	Tan HT-OR74671020	D66136	\$1.30	
Nozzle Plas Orifice 21mm	C-Blue HT-OR-74671021	D66137	\$1.30	
Nozzle Plas Orifice 22mm	White HT-ORr-74671022	D66138	\$1.30	
Nozzle Plas Orifice 23mm	Apple Red HT-OR-74671023	D66139	\$1.30	
Nozzle Plas Orifice 24mm	Gray HT-OR-74671024	D66140	\$1.30	
Nozzle Plas Orifice 25mm	Almond HT-OR-74671025	D66141	\$1.30	
Nozzle Plas Orifice 26mm	Orange HT-OR-74671026	D66142	\$1.30	
Nozzle Plas Orifice 27mm	Black HT-OR-74671027	D66143	\$1.30	
Nozzle Plas Orifice 28mm	Blue HT-OR-74671028	D66187	\$1.30	
Nozzle Plas Orifice 29mm	Brown HT-OR-74671029	D66144	\$1.30	
Nozzle Plas Orifice 30mm	Green HT-OR-74671030	D66145	\$1.30	
Nozzle Plas Orifice 31mm	Olive HT-OR-74671031	D66146	\$1.30	
Nozzle Plas Orifice 32mm	Red HT-OR-74671032	D66147	\$1.30	
Nozzle Plas Orifice 33mm	Natural HT-OR-74671033	D66148	\$1.30	
Nozzle Plas Orifice 34mm	Yellow HT-OR-74671034	D66149	\$1.30	
Nozzle Plas Orifice 36mm	Black HT-OR-74671036	D66150	\$1.30	
Nozzle Plas Orifice 37mm	Ivory HT-OR-74671037	D66151	\$1.30	
Nozzle Plas Orifice 38mm	Brown HT-OR-74671038	D66152	\$1.30	
Gasket Neop Washer/Spacer	1"Dia x 1/8" HT-SP-74061001	D66162	\$1.55	
Nozzle Plas Lower Splash Plate	HT-SP-74061002	D66163	\$2.17	
Nozzle Plas Extension 4		D66173	\$4.10	
Nozzle Plas Extension 6		D66174	\$4.66	
Nozzle Extension For ATP - Wood Thread	Sprayer With Wood Nozzles	D84230	\$5.68	



Hamon ATP Sprayer



Hamon Yoke Body

Research Cottrell Nozzle

Effective June 5th 2024

Research-Cottrell® Nozzle		
Product	Model Number	List Price each
Nozzle Support Frame RC	591-7018-285	\$40.00
Nozzle Threaded Ring 6" Black	591-7021-291	\$14.00
Nozzle Threaded Ring RCT Green	591-7022-291	\$16.00
Nozzle Threaded Ring 12/14" Yellow	591-7024-291	\$16.00
Nozzle Splash Plate RC Lower - G	591-7025-285	\$12.00
Nozzle Splash Plate RC Upper - G	591-7026-285	\$12.00
Nozzle Extension 2" NPT/CCI	591-7032-405	\$30.00
Nozzle RC Frame w/Both Plates	591-7033-285	\$76.00
Nozzle RC Frame With Lower Plate	591-7035-285	\$69.00
Nozzle Extension RCT #C227123	591-7036-405	\$30.00
Nozzle Insert RC 1.01" Yellow	591-7003-285	\$5.74
Nozzle Insert RC 1.05" White	591-7004-285	\$5.74
Nozzle Insert RC 1.09" Red	591-7005-285	\$5.74
Nozzle Insert RC 1.13" Light Blue	591-7006-285	\$5.74
Nozzle Insert RC 1.18" Kelly Green	591-7007-285	\$5.74
Nozzle Insert RC 1.22" Orange	591-7008-285	\$5.74
Nozzle Insert RC 1.25" Black	591-7009-285	\$5.74
Nozzle Insert RC 1.28" Moss Green	591-7010-285	\$6.29
Nozzle Insert RC 1.33" Gold	591-7011-285	\$5.74
Nozzle Insert RC 1.37" Dark Blue	591-7012-285	\$5.74
Nozzle Insert RC 1.44" Tan	591-7013-285	\$5.74
Nozzle Insert RC 1.51" Gray	591-7014-285	\$5.74
Nozzle Insert RC 1.58" Purple	591-7015-285	\$5.74
Nozzle Insert RC 1.65" Brown	591-7016-285	\$5.74



RC Nozzle Frame with Upper and Lower Plates



RC Nozzle Frame with Lower Plate



RC Nozzle Inserts

Balcke Nozzle

Effective June 5th 2024

Balcke® Nozzle		
Product	Model Number	List Price each
V-Assembly Nozzle 25mm w/Cage Pink - 4053	D41541	\$26.00
V-Assembly Nozzle 27mm w/Cage Violet - 4053	D41542	\$26.00
V-Assembly Nozzle 28mm w/Cage Maroon - 4053	D41543	\$26.00
V-Assembly Nozzle 29mm w/Cage Medium Green - 4053	D41544	\$26.00
V-Assembly Nozzle 30mm w/Cage Dark Blue - 4053	D41545	\$26.00
V-Assembly Nozzle 38mm w/Cage Dark Green - 4053	D41546	\$26.00
V-Assembly Nozzle 21mm w/Cage Aqua - 4053	D69556	\$26.00
V-Assembly Nozzle 36mm w/Cage Medium Blue - 4053	D69557	\$26.00
V-Assembly Nozzle 32mm w/Cage Purple - 4053	D77835	\$26.00
V-Assembly Nozzle 35mm w/Cage Light Green - 4053.	D77836	\$26.00
Nozzle Body Snap Ring 30mm - EM4007	D77840	\$7.61
Nozzle Adapter Collar BDT 8" and 10"	295100	\$4.03
Nozzle Body BDT Hamon Thread	295101	\$9.33
Nozzle Adapter Collar BDT 12" and 14"	295102	\$5.16
Nozzle Body Snap Ring - EM4007	295103	\$5.74
Nozzle #EM4052 3 Legw/Spl Cage N003	295104	\$18.00
Nozzle Adapter Collar BDT#EM4061 6"	295106	\$3.72
Nozzle Snap Ring BDT - EM4051	295107	\$3.28
Nozzle Adapter Collar BDT Snap Ring	295108	\$3.11
Nozzle Body BDT BDI Threads Uncut	295109	\$5.95
Nozzle Body 21mm BDT BDI Aqua - 4053	295109-21	\$7.68
Nozzle Body 23mm BDT BDI Red - 4053	295109-23	\$7.68
Nozzle Body 24mm BDT BDI Brown - 4053	295109-24	\$7.68
Nozzle Body 25mm BDT BDI Pink - 4053	295109-25	\$7.68
Nozzle Body 26mm BDT BDI Medium Orange - 4053	295109-26	\$7.68
Nozzle Body 27mm BDT BDI Violet - 4053	295109-27	\$7.68
Nozzle Body 28mm BDT BDI Maroon - 4053	295109-28	\$7.68
Nozzle Body 29mm BDT BDI Medium Green - 4053	295109-29	\$7.68
Nozzle Body 30mm BDT BDI Dark Blue - 4053	295109-30	\$7.68
Nozzle Body 31mm BDT BDI Grey - 4053	295109-31	\$7.68
Nozzle Body 32mm BDT BDI Purple - 4053	295109-32	\$7.68
Nozzle Body 33mm BDT BDI Light Blue - 4053	295109-33	\$7.68
Nozzle Body 34mm BDT BDI Dark Orange - 4053	295109-34	\$7.68
Nozzle Body 35mm BDT BDI Light Green - 4053	295109-35	\$7.68
Nozzle Body 36mm BDT BDI Medium Blue - 4053	295109-36	\$7.68
Nozzle Body 37mm BDT BDI Yellow - 4053	295109-37	\$7.68
Nozzle Body 38mm BDT BDI Dark Green - 4053	295109-38	\$7.68
Nozzle Extension Coupler BDT - 4054	295110	\$5.17



Balcke SF Nozzle Assembly

Color	Diameter
Light Yellow	20 mm
Aqua	21 mm
Tan	22 mm
Red	23 mm
Brown	24 mm
Pink	25 mm
Medium Orange	26 mm
Violet	27 mm
Maroon	28 mm
Medium Green	29 mm
Dark Blue	30 mm
Grey	31 mm
Purple	32 mm
Light Blue	33 mm
Dark Orange	34 mm
Light Green	35 mm
Medium Blue	36 mm
Yellow	37 mm
Dark Green	38 mm
White	39 mm

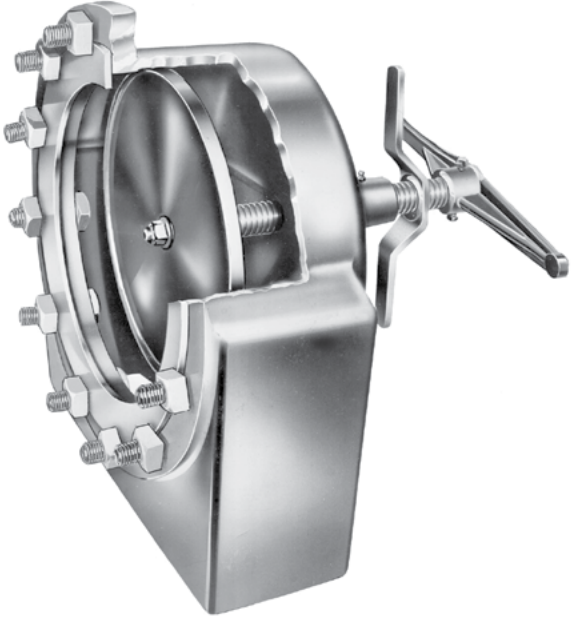
Balcke Nozzle Chart

Marley Horizontal Control Valve

Effective June 5th 2024

Marley HC (Horizontal Control) Valve	
Product	List Price
8" Valve Standard Outlet HC 08-11	\$1,655
10" Valve Standard Outlet HC 10-11	\$1,862
12" Valve Standard Outlet HC 12-11	\$2,228
14" Valve Standard Outlet HC 14-11	\$2,407
16" Valve Standard Outlet HC 16-11	\$2,829
18" Valve Standard Outlet HC 18-11	\$3,300
20" Valve Standard Outlet HC 20-11	\$3,637

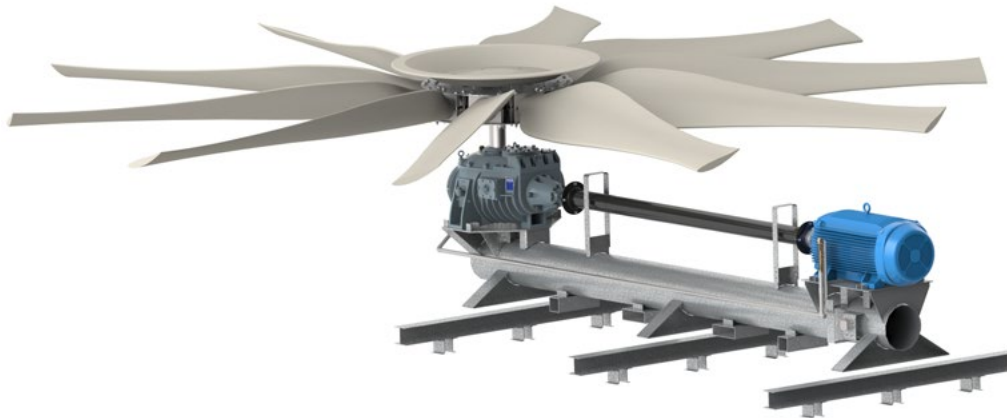
Marley HC Valve Gasket	
Product	List Price
8"	\$48
10"	\$56
12"	\$164
14"	\$175
16"	\$171
18"	\$180
20"	\$183



Marley HC Valve [read more](#)

Torque Tube - Oil Line - I Beams

Effective June 5th 2024



Torque Tube notes 1 through 5					Oil Lines note 8	
Fan Diameter in	Torque Tube Diameter in	Hot Dip Galvanized List Price	Triple Epoxy Add	300 Series Stainless Steel	Hot Dip Galvanized List Price	300 Series Stainless Steel
192	12	\$7,942	\$2,900	contact SPX	contact SPX	\$1,325.50
216	12	\$8,473	\$2,900	contact SPX	contact SPX	\$1,421.20
240	12	\$9,051	\$2,900	contact SPX	contact SPX	\$1,452.00
264	16	\$10,579	\$2,900	contact SPX	contact SPX	\$1,505.90
288	16	\$11,447	\$2,900	contact SPX	contact SPX	\$1,536.70
312	16	\$13,087	\$2,900	contact SPX	contact SPX	\$1,595.00
336	16	\$13,859	\$3,250	contact SPX	contact SPX	\$1,632.40
360	16	\$16,785	\$3,250	contact SPX	contact SPX	\$1,666.50
384	16	\$17,460	\$3,250	contact SPX	contact SPX	\$1,699.50
394	16	\$18,183	\$3,250	contact SPX	contact SPX	\$1,827.10

I Beams notes 6-7			
I Beam Count	Hot Dip Galvanized List Price	Triple Epoxy Add	300 Series Stainless Steel List Price
2	\$3,473	\$1,815	contact SPX
3	\$4,662	\$2,730	contact SPX
4	\$6,214	\$3,630	contact SPX

Sight Glass Gauge and Components			
Product	Material	Part Number	List Price ea
Sight Glass Gauge	Brass	D22921	\$474.00
Sight Glass Gauge	316 Stainless Steel	D22922	\$587.00
Gauge Placard	300S Stainless Steel	A81911	\$40.00
Required Hardware for Placard Installation	Screw (2 rqd)	A08277	\$5.17
	Washer (2 rqd)	276717	\$0.01
	Lock Washer (2 rqd)	289983	\$0.07

Note

- Scope includes: Mechanical equipment support (torque tube) with attaching hardware, driveshaft guards, Geareducer supports, motor supports and attaching hardware. Specify material finish, fan diameter, motor frame size, and Geareducer model. I beams not included. Priced per assembly.
- For 16" diameter tubes: Tubes are SCH 10 steel pipe, ASTM A53 Grade B carbon steel, galvanized. Corresponding mechanical tie-down beams are rolled structural steel, W6x15 shape, ASTM A992 carbon steel, galvanized.
- For 10" and 12" diameter torque tubes: Tubes are SCH 30 steel I pipe, ASTM A53 Grade B carbon steel, galvanized. Corresponding mechanical tie-down beams are rolled structural steel, W8x24 shape, ASTM A992 carbon steel, galvanized.
- Contact SPX Cooling Technologies for lead time.
- Mechanical support pricing assumes a Marley design and is intended to be replacement for originally designed Marley cooling tower equipment. Other designs may be available, price may vary. Please contact SPX Cooling Technologies to confirm pricing.
- Scope includes: I Beam tie downs for mechanical equipment support with attaching hardware and angles. Price includes I Beams. Specify count and material finish.
- I Beams and mechanical tie-down beams are rolled structural steel, W6x15 shape, ASTM A992 carbon steel, galvanized.
- Scope includes: S300 line, rubber flex hose, and brass sight glass gauge. Plastic vent also included.



Cooling Tower Motor

Effective June 5th 2024

Cooling Tower Electric Motor <small>note 1</small>			
Standard Single-Speed			
Phase/HZ/Volt/RPM - SF	Horsepower Rating	List Price	Shaft Grounding Device
3/60/460/1800 - 1.15	40	\$4,427	\$538
	50	\$4,997	\$538
	60	\$7,656	\$538
	75	\$9,571	\$556
	100	\$12,096	\$556
	125	\$14,524	\$772
	150	\$10,350	\$772
	200	\$12,931	\$772
	250	\$17,017	\$772
	300	\$27,832	\$772

Cooling Tower Electric Motor <small>note 1</small>		
Standard Two-Speed		
Phase/HZ/Volt/RPM - SF	Horsepower Rating	List Price
3/60/460/(1800-900) - 1.15	40	\$5,906
	50	\$8,125
	60	\$11,686
	75	\$15,124
	100	\$17,432
	125	\$24,971
	150	\$22,143
	200	\$29,903
	250	\$41,334
	300	\$49,337

Options – Add	
Triple Epoxy - Add	\$1,838
Routing Testing Report - Add	\$504



Note

- Prices are for Marley cooling tower duty motors that are designed specifically for the cooling tower environment.
- Pricing is for SPX Cooling Technologies chosen suppliers, per Marley specifications.
- Pricing for 460V and standard frame size for given power/speed. Contact SPX for other voltages.

Market Definitions

Effective June 5th 2024

Market	Application	Market	Application	
HVAC	Amusement	Light Industrial	Aerospace	
	Data Center		Automotive	
	Food Distribution Warehouse		Brewery	
	Garages and Service Stations		Electronics	
	Government and Public Buildings		Food - Excluding Heavy Food	
	Hospitals and Health Treatment		General Manufacturing	
	Hotels and Motels		Laboratories (Manufacturer Owned)	
	Laboratories (Government Owned)		Metals -Bending and Forming	
	Laboratories (Independently Owned)		Pharmaceuticals	
	Libraries and Museums		Plastics	
	Multi-Family Housing		Rubber	
	Multi-Family Complex (Shopping and Housing)		Semiconductors	
	Office and Bank Buildings		Textiles	
	Print Production Center		Warehouse (Manufacturer Owned)	
	Public Schools and Colleges		Heavy Industrial	Bio-Fuels
	Religious			Chemical
	Retail Distribution Warehouse			Concrete
	Retail Space			Fertilizer
	Retail Stores and Food Service			Glass
	Schools and Colleges	Grain Processing		
Single Family Housing	Heavy Food - Orange, Sugar, Tomato, Vegetable Oils			
Bio-Fueled Power Generation	Industrial Gases			
Coal-Fired Power Generation	LNG-Liquefied Natural Gas			
Co-generation	Metals-Forging			
Gas-Fired Power Generation	Metals and Mining			
Geothermal Power Generation	Natural Gas Production and Distribution			
Nuclear Power Generation	Oil Refining			
Oil-Fired Power Generation	Paper			
Solar Power Generation	Petrochemical			
Waste to Energy				

Parts Policies – Warranty

Minimum Order Value

Customer Purchase \$250.00 minimum order value

Expedite Fees

25% of the customer purchase price.

Applicable for orders that are requested to ship inside the standard lead-time and where SPX incurs additional costs from vendors.

Order Cancellation

Canceled orders are subject to a cancellation charge up to full order value, contingent upon the order cancellation date.

Parts Policies – Warranty cont.

Effective June 5th 2024

Material Return

Material returns must be authorized by SPX and returned within 30 days of delivery. If return is not received, return credit will be canceled. Return form must be completed and sent back with the product.

SPX Parts Warehouse (Chesterfield, MO) – a minimum 10% restocking fee will apply only if material is returned without damage and in “like-new” condition.

All other plants and vendors – a minimum 25% restocking fee will apply only if material is returned without damage and in “like-new” condition.

Return freight will be the responsibility of the customer.

SPX reserves the right not to approve a return if material cannot be utilized on future orders.

Delivery Requirements

All orders require at least a 24-hour contact name and phone number for delivery arrangements and orders requiring customs clearance. (E-mail addresses or fax numbers are not acceptable).

Advise of any scheduled shut down dates at time of order entry (QTC notes).

Inspect delivered material for any discrepancies Mark up your BOL and notify SPX immediately.

Consolidation Fee

Contact SPX for Consolidation quote.

\$100 minimum fee will be applicable for any consolidations.

Additional charges for volume and duration of storage will apply.

Credit Card Orders

Customer Credit card information to Gregg.Maupin@spx.ct.com. (Ref. SPX order number on E-mail).

SPX Accepts: Visa or MasterCard

3% fee will be added to your invoice for credit card use.

Warranty

SPX Cooling Tech, LLC (“SPX Cooling”) warrants that all apparatus and equipment furnished on this repair or replacement order, will be free from defects in materials and workmanship for a period of (12) months from date of shipment by SPX Cooling to the original installation.

The obligation under this warranty is limited to the repair or the replacement of defective materials, at SPX Cooling’s option, F.O.B. original shipping point or EXWORKS plant. Warranty on repaired or replaced equipment will be for the time remaining under the terms of the original warranty. This warranty is not transferable.

This warranty does not obligate SPX Cooling to bear the cost of labor, transportation charges, or other costs incurred in connection with the repair or replacement of defective parts; nor does this warranty apply to normal wear and tear nor to damage resulting from operation not conforming with the Marley operation and maintenance instructions, accident, alteration, misuse or an abnormally corrosive or abrasive use environment.

SPX Cooling’s total liability for damages related to the performance of or failure to perform shall be limited to the amount of the contract price and in no event shall either party hereto be responsible or held liable to the other for any special, punitive, indirect, incidental, or consequential damages.

The above warranties are in lieu of all other warranties expressed or implied, and all implied warranties of merchantability and fitness for a particular purpose are hereby disclaimed and excluded from this agreement.

Terms and Conditions

Effective June 5th 2024

1. ACCEPTANCE AND GOVERNING PROVISIONS. Orders shall be binding upon Seller when accepted in writing by an authorized representative of Seller. SELLER'S ACCEPTANCE OF BUYER'S ORDER IS CONDITIONED UPON BUYER'S ACCEPTANCE OF THE TERMS AND CONDITIONS SET FORTH HEREIN (THE "TERMS") AND BUYER'S AGREEMENT TO BE BOUND BY AND COMPLY WITH THESE TERMS. THESE TERMS, THE TERMS ON THE FACE OF THIS DOCUMENT, AND ALL REFERENCED ATTACHMENTS CONSTITUTE THE ENTIRE AGREEMENT BETWEEN BUYER AND SELLER, AND NO AMENDMENT OR MODIFICATION SHALL BE BINDING ON SELLER UNLESS SIGNED BY AN OFFICER OR AUTHORIZED EMPLOYEE OF SELLER. THE FAILURE OF SELLER TO OBJECT TO PROVISIONS CONTAINED IN ANY PURCHASE ORDER OR OTHER DOCUMENT OF BUYER SHALL NOT BE CONSTRUED AS A WAIVER BY SELLER OF THESE TERMS OR AN ACCEPTANCE OF ANY OF BUYER'S PROVISIONS. ANY CONFLICTING OR ADDITIONAL TERMS OR CONDITIONS SET FORTH BY BUYER IN A PURCHASE ORDER OR OTHER DOCUMENT SHALL NOT BE BINDING UPON SELLER, AND SELLER HEREBY EXPRESSLY OBJECTS THERETO.

2. LIMITED WARRANTY.

(a) Seller warrants to Buyer that the goods manufactured by Seller will be free from defects in material and workmanship and any services performed by Seller will be in accordance with the specifications of Seller's proposal and appropriate industry standards, as more particularly set forth in Seller's Certificate of Limited Warranty ("Warranty Certificate"), as attached hereto and incorporated herein.

(b) Refer to the applicable Warranty Certificate for specific product coverage.

(c) If within such period Buyer gives Seller immediate notice of the discovery of any such defects, and it shall be proven to Seller's reasonable satisfaction that any goods are defective or any services are nonconforming, such goods shall, at Seller's option, be repaired or replaced (F.O.B. Seller's factory, with all removal and installation to be at Buyer's expense unless Buyer has paid for labor to be included in the warranty to be provided) and such services corrected or a substitute obtained.

(d) Warranty on repaired or replaced equipment will be for the time remaining under the terms of the original warranty.

(e) Seller warrants that all services or goods performed, produced, and furnished hereunder will comply with all applicable federal, state, and local laws, regulations, rules and ordinances.

(a) THE FOREGOING WARRANTIES STATE SELLER'S ENTIRE WARRANTY (EXCEPT TITLE) AND BUYER'S SOLE AND EXCLUSIVE REMEDY RELATED TO SUCH GOODS AND SERVICES. EXCEPT AS EXPRESSLY SET FORTH ABOVE, SELLER MAKES NO WARRANTY OF ANY KIND WHATSOEVER, AND SELLER EXPRESSLY DISCLAIMS ANY WARRANTIES IMPLIED BY LAW, INCLUDING, BUT NOT LIMITED TO, ANY WARRANTY OF MERCHANTABILITY OR FITNESS FOR A PARTICULAR PURPOSE.

(b) THIS WARRANTY SHALL NOT APPLY TO ANY LOSS OR DAMAGE RESULTING FROM: (i) NORMAL WEAR AND TEAR; (ii) ALTERATION, MISUSE, ABUSE, OR IMPROPER INSTALLATION BY BUYER, POWER FAILURES, OPERATION OR MAINTENANCE BY BUYER OR A THIRD PARTY; (iii) ACCIDENT, FIRE, FLOOD, OR ACTS OF GOD; OR (iv) INACCURATE OR INCOMPLETE INFORMATION OR DATA SUPPLIED OR APPROVED BY BUYER.

3. LIMITATION OF LIABILITY. SELLER SHALL NOT BE LIABLE UNDER ANY THEORY OF RELIEF, INCLUDING, WITHOUT LIMITATION, BREACH OF WARRANTY, BREACH OF CONTRACT, TORT (INCLUDING NEGLIGENCE), STRICT LIABILITY, OR OTHERWISE, ARISING OUT OF OR RELATED TO AN ORDER OR SELLER'S ACTS OR OMISSIONS FOR ANY INCIDENTAL, SPECIAL, CONSEQUENTIAL, PUNITIVE, EXEMPLARY, OR LIQUIDATED DAMAGES OF ANY NATURE, INCLUDING, WITHOUT LIMITATION, LOSS OF ANTICIPATED PROFITS OR REVENUES, DAMAGE TO PROPERTY, OR LOSS OF USE. SELLER'S ENTIRE LIABILITY FOR DIRECT DAMAGES RESULTING FROM ANY PERFORMANCE OR FAILURE TO PERFORM, DELAY, BREACH OF CONTRACT, BREACH OF WARRANTY, IMPLIED INDEMNITY OR OTHERWISE UNDER THIS AGREEMENT SHALL NOT EXCEED THE PURCHASE PRICE ACTUALLY PAID BY BUYER TO SELLER. IN ADDITION, IN NO EVENT SHALL SELLER BE LIABLE FOR ANY DAMAGES IF AND TO THE EXTENT SUCH DAMAGES ARE CAUSED BY THE NEGLIGENCE OF BUYER, THE END USER OF THE GOODS, OR ANY OTHER THIRD PARTY WHICH IS NOT UNDER THE DIRECT CONTROL OF THE SELLER.

4. PATENTS AND TRADEMARKS.

(a) If notified promptly by Buyer in writing and provided with authority, information, and assistance, Seller shall defend and indemnify Buyer, or may at any time settle, at Seller's option, any suit or proceeding alleging that any goods used, designed or sold by Buyer pursuant to Seller's proposal infringe any United States patent or trademark. Seller shall pay any direct damages awarded in such suit or proceeding up to the amount of the depreciated purchase price of the goods. In the event any goods are held to constitute such infringement and the use of the goods is enjoined, Seller shall, at its option and expense: (i) procure for Buyer the right to continue using the goods; (ii) replace the goods with non-infringing goods; (iii) modify the goods so that they become non-infringing; or (iv) remove the goods and return the depreciated purchase price. THE FOREGOING CONSTITUTES THE ENTIRE LIABILITY OF SELLER AND THE SOLE AND EXCLUSIVE REMEDY OF BUYER FOR PATENT OR TRADEMARK INFRINGEMENT RELATED TO THE GOODS.

(b) NOTWITHSTANDING THE FOREGOING, SECTION (a) ABOVE SHALL NOT APPLY TO ANY SUIT OR PROCEEDING ALLEGING INFRINGEMENT RESULTING FROM OR RELATED TO SELLER'S COMPLIANCE WITH THE SPECIFICATIONS OR DESIGN OF BUYER OR THE USE OF THE GOODS OF SELLER IN COMBINATION WITH OTHER GOODS OR MATERIALS. Buyer shall defend and pay any damages awarded in such suit or proceeding described in this subsection (b).

5. DELIVERY AND DELAY.

(a) Unless otherwise agreed to in writing and signed by Seller: (i) goods shall be delivered FOB Seller's Factory (domestic shipments) or FCA Seller's nominated facility (international shipments, not including Canada) (INCOTERMS 2000), Full Freight Allowed to the jobsite (FOR COMPLETE TOWER SHIPMENTS ONLY), with delivery to the initial carrier constituting delivery to Buyer; (ii) title to the goods and all risk of damage or loss shall pass to Buyer upon delivery to the initial carrier; (iii) transportation costs shall be paid by Buyer; and (iv) Buyer shall have sole responsibility for filing any claims with any carrier for delay, loss or damage. FOR CANADA ORDERS, the following shall apply: Title passes to the Buyer at the point of shipment, SPX Olathe Plant. Seller has agreed to and has included in the prices here all costs for transportation to Canada, Customs Clearance and all duties.

(b) Dates of delivery or other performance are estimates and are based on, among other things, timely receipt from Buyer of accurate and complete approved drawings, technical data, a fully executed contract or purchase order, and any necessary documents or information required by Seller's credit department. Seller shall have the right to delay shipment of the goods until all required documents or information have been provided by Buyer, and any other requirements, including the payment of any past due amounts, have been fulfilled. Seller shall not be liable for any delay or resulting expense, loss, damage or liquidated damages for any failure to supply materials, labor or supervision as required because of fire, flood, Acts of God, inclement weather, strikes, labor disputes, riots, thefts, accidents, transportation delays, acts or failure to act of Government, Buyer, Owner or any other third party not under Seller's direct control, or any other cause whatsoever, whether similar or dissimilar to the above, beyond the reasonable control of Seller. In the event of such delay, the time of completion will be subject to equitable adjustment, and any additional costs incurred shall be shared between the parties. Seller shall immediately notify Buyer if it expects a delivery to occur earlier or later than the delivery date requested by Buyer. Any claim for missing parts or other items of the goods must be made within sixty (60) days from the date of delivery.

(a) In the event Buyer has not taken title and possession of the goods within six (6) months from the date of the purchase order, freight costs may be subject to adjustment at Seller's discretion.

6. STORAGE. If Buyer's site is not ready to accept goods on the scheduled delivery date, Seller may store the goods at its facility or any other suitable location until such time as Buyer is ready to receive the goods. Buyer shall be liable for any storage fees as determined by Seller. Buyer accepts all risk of damage or loss while the goods are in transit to storage, in storage, or in transit from storage. Buyer shall be responsible for all handling, transportation and storage costs for such goods while they are in transit to storage, in storage, or in transit from storage.

Terms and Conditions

Effective June 5th 2024

7. CHANGES, SUBSTITUTIONS, AND CANCELLATION.

(a) Any changes requested by Buyer shall be effective upon written acceptance of Seller at Seller's corporate offices. Any changes accepted by Seller which affect the specifications or scope of work of an order shall entitle Seller, as appropriate, to an adjustment to the price, delivery schedule, or other terms affected by such change.

(b) Seller may furnish suitable substitutes for materials unobtainable due to regulations of governmental authorities or unavailability of materials from suppliers.

(c) Buyer may cancel an order, in whole or in part, only with the prior written consent of Seller and upon payment of any applicable cancellation charges. If an accepted order is canceled, in whole or in part, for any reason (except for the gross negligence by Seller), Seller shall be reimbursed for labor and material expended on the order including reasonable overhead and profit. Total charges for cancellation will not exceed the purchase order price.

8. APPROVALS, INSPECTION AND ACCEPTANCE:

(a) Buyer's approval, or failure to disapprove, of drawings submitted hereunder constitutes Buyer's acceptance of equipment design, specifications and other data contained therein.

(b) Inspection of goods at Seller's plant by Buyer, or Buyer's representatives, will be permitted insofar as such inspection does not interfere with Seller's production and provided that complete written details of such inspection are submitted to Seller no less than ten (10) days in advance.

(c) The goods and services shall be deemed accepted, and any claim of Buyer against Seller with respect to an order shall be waived and not enforceable, unless: (i) Buyer has promptly inspected the goods and services, and (ii) written notice from Buyer of any defect has been received by Seller within forty-eight (48) hours of rejection of any equipment inspected upon delivery or performance of any services.

(d) Buyer must give Seller reasonable advance notice and authorization to attend any tests designed to demonstrate that goods or services are defective, and the test conditions are mutually agreed to by Seller and Buyer.

(e) Goods may not be returned without obtaining written authorization and shipping instructions from an authorized representative of Seller.

9. PRICES, PAYMENT AND CREDIT.

(a) Unless other terms have been expressly stated by Seller in writing, Seller's prices: (i) do not include customs, duties, or any domestic or foreign sales, use, excise, or similar taxes under existing or future laws (with Buyer to be charged for same, unless Buyer has provided Seller with an appropriate tax exemption certificate); (ii) are valid for thirty (30) days from the proposal date; (iii) do not include costs for installation of goods; and (iv) do not include costs of any permits, licenses, fees and similar charges required by law or local practice.

(b) Unless otherwise noted on the face hereof, the payment terms shall be one-hundred percent (100%) net thirty (30) days from the date of shipment. Pro-rata payments shall become due with partial shipments of goods or partial delivery of services. Seller shall charge 1 1/2% per month (or such lower percentage as required by applicable law) of the unpaid invoice balance, commencing sixty (60) days following the invoice date.

(c) Seller reserves the right to require cash in advance if, for any reason, Seller reasonably doubts Buyer's financial responsibility.

10. GOODS FOR EXPORT. If the ultimate destination of the goods is outside of the country of origin, Buyer shall provide the ultimate destination country, end-user, and end use on its purchase order or shall complete a U.S. Department of Commerce Form BIS-71 1 (Statement of Ultimate Consignee and Purchaser). In the event that Buyer provides false information to Seller or purchases goods for export without so notifying Seller, Buyer shall have sole liability and shall defend and indemnify Seller for any loss or damage (including without limitation, claims

of governmental authorities) arising from the export from the country of origin or the import into another country of such goods, including, without limitation, those related to packaging, labeling, marking, warranty, contents, use, or documentation of the goods. Buyer shall have sole responsibility for obtaining any required export licenses. Buyer shall neither take, nor solicit Seller to take, any action which would violate any anti-boycott or any export or import statutes or regulations of the United States or other governmental authorities and shall defend and indemnify Seller for any loss or damage arising out of or related to such action. Seller reserves the right to refuse to sell, transfer, assign, or allow for export any goods if, in Seller's reasonable judgment, the goods would be imported into a country in violation of any law, or used in any process in violation of any law.

11. PROPRIETARY INFORMATION. Seller retains title and all intellectual property rights, including, but not limited to, any patent, trademark, copyright, trade secret or otherwise to all engineering and production prints, drawings, technical data, and other information and documents that relate to the goods and services sold to Buyer. Unless advised by Seller in writing to the contrary, all such information and documents disclosed or delivered by Seller to Buyer are to be deemed proprietary to Seller and shall be used by Buyer solely for the purpose of inspection, installation, and maintenance and not used by Buyer for any other purpose.

12. COMPLIANCE WITH LAWS. All goods manufactured and services performed hereunder shall be in compliance with all applicable state and federal laws, rules, regulations, standards and codes including, but not limited to, the Fair Labor Standards Act, occupational health and safety laws and applicable provisions relating to obligations of government contractors and subcontractors, including 41 CFR 60-1, et. seq. (including the reporting, record keeping and affirmative action program requirements) incorporating the Equal Opportunity Clause of Executive Order 11246, the maintenance of nonsegregated facilities, the Vietnam Era Veteran's Readjustment Act of 1974, The Rehabilitation Act of 1973 and Executive Order 11701 relating to the employment of veterans.

13. CONFLICT MINERALS. Seller shall comply with Section 1502 of the Dodd-Frank Act (the "Conflict Minerals Law") relating to goods that contain tantalum, tin, tungsten or gold that directly or indirectly finance or benefit armed groups in the Democratic Republic of Congo or the nine adjoining conflict countries, Angola, Burundi, Central African Republic, the Republic of the Congo, Rwanda, South Sudan, Tanzania, Uganda, and Zambia ("Conflict Minerals"). Seller shall promptly and accurately complete surveys and certifications requested by Buyer related to Conflict Minerals. Seller will inform Buyer (a) whether Conflict Minerals are known to be present in any goods provided by Seller to Buyer or whether it is "indeterminable" that Conflict Minerals are present in any goods provided by Seller to Buyer, and (b) at the request of Buyer, the status of Seller's policies and procedures relating to compliance with the Conflict Mineral Law. Upon reasonable notice, Buyer shall be permitted to audit such records as reasonably necessary to confirm Seller's compliance with this Article.

14. MISCELLANEOUS. All rights and remedies of each of the parties under these Terms are in addition to its rights at law and in equity, except where specifically disclaimed. Any delegation or assignment by Buyer of any of its responsibilities or rights hereunder without Seller's prior written consent, shall be void. The validity, performance, and interpretation of this document and any referenced attachment thereto shall be governed by the law of the state of Kansas, U.S.A. It is expressly agreed that the United Nations Convention on Contracts for the International Sale of Goods will not apply to this agreement. The invalidity or illegality of any provision of these Terms shall not render invalid or illegal any other provision therein. Seller's failure at any time to require performance by Buyer of any of these Terms shall not serve as a waiver or diminish Seller's right to demand strict compliance with such provision or with other of the Terms.

Parts Price Catalog

JUNE 2024

SPX COOLING TECH, LLC

7401 WEST 129 STREET
OVERLAND PARK, KS 66213 USA
913 664 7400 | spxcooling@spx.com
spxcooling.com

FEPPARTS-24 | ISSUED 06/2024

©2017- 2024 SPX COOLING TECHNOLOGIES, INC. ALL RIGHTS RESERVED

In the interest of technological progress, all products are subject to design and/or material change without notice.

