

Field-Erected Cooling Tower Components

PARTS PRICE CATALOG – JUNE 2024



Marley Geareducer Fan Drive

Effective June 5th 2024



M Series Geareducer [read more](#)



4000 Series Geareducer [read more](#)

| Marley Geareducer® | | | Options - List Price Add ^{note 1} | | |
|--------------------|---------------------|------------|--|-----------------------------|---------------------------|
| Series | Ratio | List Price | Triple Epoxy Paint | Inpro/Seal Input Shaft Seal | Oil Heater and Thermostat |
| 32.2 | ALL | \$30,866 | \$315 | \$1,050 | \$3,150 |
| 3400 | ALL | \$41,328 | \$315 | \$1,050 | \$3,150 |
| 4000 | 9.64 through 15.84 | \$43,926 | \$315 | Standard | \$3,150 |
| 4000 | 16.49, 18.54, 19.72 | \$63,170 | \$315 | Standard | \$3,150 |

note 1 - Other options are available; contact SPX for price/leadtime.

| Geareducer Replacement Wear Items ^{note 1} | | |
|---|---------------|------------|
| Series | Lip Type Seal | Impro/Seal |
| 32.2 | \$861 | \$2,266 |
| 3400 | \$861 | \$2,266 |
| 4000 | \$1,155 | \$2,266 |

note 1 - Includes seal, pinion cage cap, and hardware for replacement. Individual components available. Contact SPX Cooling Tech for price/leadtime.

| Marley M Series Geareducer® ^{note 2} | | | Options- List Price Add ^{note 1} | | |
|---|---------------------|------------|---|-----------------------------|---------------------------|
| Series | Ratio | List Price | Triple Epoxy Paint | Inpro/Seal Input Shaft Seal | Oil Heater and Thermostat |
| M1311 | 9.64 through 15.84 | \$27,121 | \$315 | Standard | \$3,150 |
| M1712 | 9.64 through 15.84 | \$30,727 | \$315 | Standard | \$3,150 |
| M1712 | 16.49, 18.54, 19.72 | \$41,297 | \$315 | Standard | \$3,150 |
| M1712.5 | 9.64 through 15.84 | \$43,480 | \$315 | Standard | \$3,150 |
| M1712.5 | 16.49, 18.54, 19.72 | \$51,538 | \$315 | Standard | \$3,150 |
| M1713 | 11.22 through 17.16 | \$46,927 | \$315 | Standard | \$3,150 |
| M1713 | 17.98 through 20.06 | \$55,156 | \$315 | Standard | \$3,150 |

note 1 - Other options are available; contact SPX Cooling Tech for price/leadtime.

note 2 - M Series are direct replacement for Amarillo®. W versions for large fans also available; contact SPX Cooling Tech for price/leadtime.

Rebuilt Geareducer - Rebuild Kit

Effective June 5th 2024

| Remanufactured Geareducers | | |
|---------------------------------|----------------------|-------------|
| Series | Suggested List Price | Core Credit |
| Reman 32.2 | \$21,400 | \$2,000 |
| Reman 34.3T/34.4/3400 | \$26,490 | \$2,000 |
| Reman 36/38/3600/4000 | \$32,180 | \$2,000 |
| Reman 4000 (16.49 ratio and up) | Call WHQ | \$2,000 |

[read more](#)

Note

- Specific Geareducer Series used for a Rebuild is determined by SPX based on core availability at time of order.
- Core Credit is only applied if the Geareducer core is returned within 60 days to SPX, and all castings are in reusable condition.

- Models not available for purchase or exchange: 19 19A 26 26A 29 10T 10.1 11T 11.1 20 20T 20.1 20.2 1800 2000 21.1T 21.2 22.1 22.1T 27A 27A2 32 32.1T 34 34.1 34.2T.
- Contact SPX for lead-times.
- Standard Warranty is 3-year after date of shipment, per standard Aftermarket Warranty Certificate

| Marley Geareducer Rebuild Kits | | Gear Set note 1 | Spiral Bevel Gear Set note 2 | Helical Gear Set note 3 | No Gears Set note 4 |
|--------------------------------|-------|--------------------|---------------------------------|----------------------------|------------------------|
| Series | Ratio | | | | |
| 32.2 | 7.56 | \$17,695 | \$9,393 | \$13,403 | \$5,099 |
| | 7.89 | \$17,176 | \$8,872 | \$13,104 | \$4,803 |
| | 8.80 | \$18,450 | \$10,147 | \$13,403 | \$5,099 |
| | 9.62 | \$18,054 | \$9,393 | \$13,762 | \$5,099 |
| | 10.16 | \$17,192 | \$8,887 | \$13,403 | \$5,099 |
| | 11.18 | \$18,810 | \$10,147 | \$13,762 | \$5,099 |
| | 12.93 | \$17,550 | \$8,887 | \$13,762 | \$5,099 |
| | 14.64 | \$17,176 | \$8,887 | \$13,384 | \$5,099 |
| 36 | 9.64 | \$31,106 | \$14,294 | \$23,877 | \$7,068 |
| | 10.83 | \$23,484 | \$14,294 | \$16,256 | \$7,068 |
| | 11.55 | \$30,041 | \$13,228 | \$23,877 | \$7,068 |
| | 12.98 | \$22,420 | \$13,228 | \$16,256 | \$7,068 |
| | 14.88 | \$25,166 | \$14,811 | \$18,841 | \$7,068 |
| 3600 | 9.64 | \$25,839 | \$15,353 | \$18,612 | \$8,125 |
| | 10.83 | \$25,710 | \$15,353 | \$18,483 | \$8,125 |
| | 11.55 | \$24,775 | \$14,289 | \$18,612 | \$8,125 |
| | 12.98 | \$24,647 | \$14,289 | \$18,483 | \$8,125 |
| | 14.88 | \$24,811 | \$14,453 | \$18,483 | \$8,125 |
| 4000 | 9.64 | \$25,956 | \$15,470 | \$18,728 | \$8,240 |
| | 10.83 | \$25,827 | \$15,470 | \$18,597 | \$8,240 |
| | 11.55 | \$24,890 | \$14,404 | \$18,728 | \$8,240 |
| | 12.18 | \$27,747 | \$17,836 | \$18,151 | \$8,240 |
| | 12.98 | \$24,761 | \$14,404 | \$18,597 | \$8,240 |
| | 13.24 | \$25,053 | \$14,566 | \$18,728 | \$8,240 |
| | 13.81 | \$24,313 | \$14,404 | \$18,151 | \$8,240 |
| | 14.88 | \$24,924 | \$14,566 | \$18,597 | \$8,240 |
| | 15.84 | \$24,476 | \$14,566 | \$18,151 | \$8,240 |
| | 16.49 | \$41,421 | \$30,935 | \$18,728 | \$8,240 |
| | 18.54 | \$41,293 | \$30,935 | \$18,597 | \$8,240 |
| | 19.72 | \$40,845 | \$30,935 | \$18,151 | \$8,240 |

- note 1 - Kit includes both mated gear sets with integral pinion shaft, interstage shaft and hardware, top and bottom interstage bearing retainer plates, all bearings (six), oil seal (lip type), O-ring seals, shims, gaskets, and both slingers.
- note 2 - Kit includes spiral-bevel mated gear set with integral pinion shaft and hardware, all bearings (six), oil seal (lip type), O-ring seals, shims, gaskets, and both slingers.
- note 3 - Kit includes helical mated gear set with integral interstage shaft and hardware, top and bottom interstage bearing retainer plates, all bearings (six), oil seal (lip type), O-ring seals, shims, gaskets, and water slinger.
- note 4 - Kit includes all bearings (six), oil seal (lip type), O-ring seals, shims, gaskets, and both slingers. No gear sets included.
- These rebuild kits do not include: fan shaft, labyrinth ring, pinion cage, pinion cage cap, interstage bearing retainers or oil.



Amarillo Gear Box

Effective June 5th 2024



| Amarillo® Gear Box | | | Options - List Price Add | | | | | | |
|--------------------|-----------------|-------------|--------------------------|-------------|---------------------------|-----------------|------------------|-------------|------------------------|
| Model | Ratio | List Price | Mechanical Oil Pump | Oil Filter | Oil Heater and Thermostat | Pressure Switch | Oil Level Switch | Non-Reverse | Vibration Switch Plate |
| 1008 | 7.5-10.5 | contact SPX | contact SPX | contact SPX | contact SPX | contact SPX | contact SPX | contact SPX | contact SPX |
| 1110 | 7.5, 8, 9-13 | contact SPX | contact SPX | contact SPX | contact SPX | contact SPX | contact SPX | contact SPX | contact SPX |
| 1311 | 8-12, 13-15 | contact SPX | contact SPX | contact SPX | contact SPX | contact SPX | contact SPX | contact SPX | contact SPX |
| 1311W | 8-12, 13-15 | contact SPX | contact SPX | contact SPX | contact SPX | contact SPX | contact SPX | contact SPX | contact SPX |
| 1712 | 10, 11-16 | contact SPX | contact SPX | contact SPX | contact SPX | contact SPX | contact SPX | contact SPX | contact SPX |
| 1712W | 10, 11-16 | contact SPX | contact SPX | contact SPX | contact SPX | contact SPX | contact SPX | contact SPX | contact SPX |
| 1712.5 | 11-17 | contact SPX | contact SPX | contact SPX | contact SPX | contact SPX | contact SPX | contact SPX | contact SPX |
| 1712.5W | 11-17 | contact SPX | contact SPX | contact SPX | contact SPX | contact SPX | contact SPX | contact SPX | contact SPX |
| 1713 | 12, 12.5, 14-18 | contact SPX | contact SPX | contact SPX | contact SPX | contact SPX | contact SPX | contact SPX | contact SPX |
| 1713W | 12, 12.5, 14-18 | contact SPX | contact SPX | contact SPX | contact SPX | contact SPX | contact SPX | contact SPX | contact SPX |
| 1814 | all | contact SPX | contact SPX | contact SPX | contact SPX | contact SPX | contact SPX | contact SPX | contact SPX |
| 2016 | all | contact SPX | contact SPX | contact SPX | contact SPX | contact SPX | contact SPX | contact SPX | contact SPX |

Gear Box Inspection / Repair

Effective June 5th 2024

| Marley Geareducer Inspection/Repair | | | Inspection Only | Option 1 | Option 2 | Option 3 | Option 4 | Option 5 |
|-------------------------------------|---------------------|-------------|---|-------------------------------|----------------------------------|-----------------------------|-------------------------|---------------------------------------|
| Series | Standard Ratio | QTC Part No | Includes inbound freight, inspection and report note 6 - 7 | Bearings, seals, shims, misc. | Option 1 plus spiral bevel gears | Option 1 plus helical gears | Option 1 plus all gears | Option 1 plus all gears and fan shaft |
| 32.2 | all | GRDRINSP3 | \$1,995 | \$10,357 | \$14,098 | \$16,659 | \$20,401 | \$23,538 |
| 34.3T - 34.4 - 3400 | all | | | \$12,766 | \$17,117 | \$21,070 | \$25,422 | \$28,247 |
| 36 - 38 - 3600 - 4000 | 9.64 through 15.84 | | | \$17,006 | \$23,144 | \$25,996 | \$32,137 | \$36,151 |
| 4000 | 16.49, 18.54, 19.72 | | | \$17,006 | \$30,883 | \$25,996 | \$39,875 | \$43,890 |

| Amarillo Gear Box Inspection/Repair | | | Inspection Only | Option 1 | Option 2 | Option 3 | Option 4 | Option 5 |
|-------------------------------------|-----------------|-------------|---|--|----------------------------------|-----------------------------|-------------------------|---------------------------------------|
| Model | Standard Ratio | QTC Part No | Includes inbound freight, inspection and report note 6 - 7 | Bearings, seals, shims, misc. | Option 1 plus spiral bevel gears | Option 1 plus helical gears | Option 1 plus all gears | Option 1 plus all gears and fan shaft |
| 1008 | 7.5-10.5 | GRDRINSPA | \$1,995 | Contact SPX Cooling Technologies before quoting inspection | | | | |
| 1110 | 7.5, 8, 9-13 | | | Contact SPX Cooling Technologies before quoting inspection | | | | |
| 1311 | 8-12, 13-15 | | | Contact SPX Cooling Technologies before quoting inspection | | | | |
| 1311W | 8-12, 13-15 | | | Contact SPX Cooling Technologies before quoting inspection | | | | |
| 1712 | 10, 11-16 | | | Contact SPX Cooling Technologies before quoting inspection | | | | |
| 1712W | 10, 11-16 | | | Contact SPX Cooling Technologies before quoting inspection | | | | |
| 1712.5 | 11-17 | | | Contact SPX Cooling Technologies before quoting inspection | | | | |
| 1712.5W | 11-17 | | | Contact SPX Cooling Technologies before quoting inspection | | | | |
| 1713 | 12, 12.5, 14-18 | | | Contact SPX Cooling Technologies before quoting inspection | | | | |
| 1713W | 12, 12.5, 14-18 | | | Contact SPX Cooling Technologies before quoting inspection | | | | |
| 1814 | all | | | Contact SPX Cooling Technologies before quoting inspection | | | | |
| 2016 | all | | | Contact SPX Cooling Technologies before quoting inspection | | | | |
| A32 | all | | | Contact SPX Cooling Technologies before quoting inspection | | | | |
| A34 | all | | | Contact SPX Cooling Technologies before quoting inspection | | | | |
| A36 | all | | | Contact SPX Cooling Technologies before quoting inspection | | | | |
| A38 | all | | | Contact SPX Cooling Technologies before quoting inspection | | | | |

Note

1. SPX Cooling Technologies will recommend the appropriate repair option based on inspection results.
2. The prices above are for standard repairs, which include bearings, shims, seals, O-rings, and misc. hardware plus gears and fan shaft when required.
3. The cost for any additional parts required for repair will be included with the inspection report pricing.
4. Fan hub and coupling will be scrapped unless otherwise noted. Removal and reinstallation of fan hub and/or coupling is available at a cost of \$140 per hour.
5. The prices above are based on a Geareducer/ gear box in reasonably clean condition. Labor Charges of \$140 per hour will be charged for excess cleaning time.
6. If lead paint is present on unit, additional cost will apply for special paint removal procedure.

7. Inspection Only Fee will be credited if customer decides to proceed with repair, or purchase a new or rebuilt unit in lieu of repair.
8. Inbound freight is covered by SPX. Outbound freight is only covered if customer proceeds with repair.
9. If customer does not proceed with repair, unit must be returned to customer unassembled, or disposed of by SPX. Return freight charge or disposal fee will be invoiced.
10. Sandblasting and paint are included in Options 1 through 5.
11. Geareducers not available for repair: 19, 19A, 26, 26A, 29, 10T, 10.1, 11T, 11.1, 20, 20T, 20.1, 20.2, 1800, 2000, 21.1T, 21.2, 22.1, 22.1T, 27A, 27A2, 32, 32.1T, 34, 34.1 and 34.2T.
12. Customer decision to proceed or not to proceed with repair must be received within 30 days after inspection report is distributed to customer.

Standard Lead Time

Inspection and report: One week after receipt of gear box at the Olathe, KS repair facility.
Repair and ship: Two to three weeks after customer approval to proceed.

[read more](#)

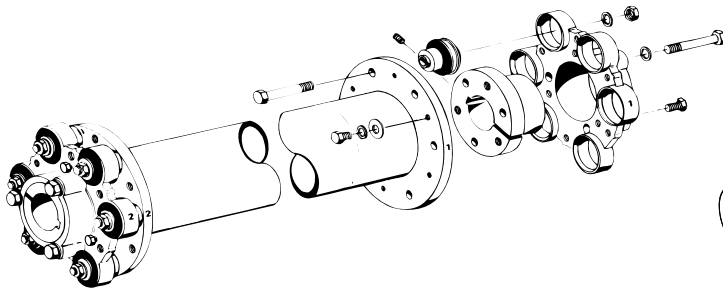
Warranty

One year after date of shipment per Aftermarket Warranty Certificate

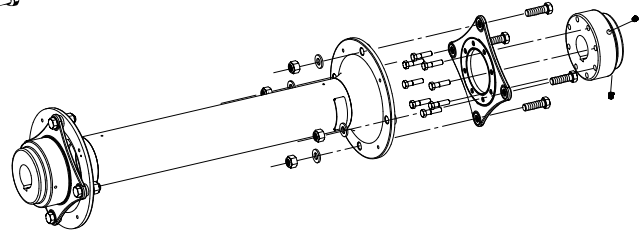


Marley Driveshaft

Effective June 5th 2024



301 Series Driveshaft [read more](#)



Comp-DS Series Driveshaft [read more](#)

| Marley Driveshaft Assembly | | | Tube - Flange Material | Yoke - Bushing - Hardware - Split Taper Bushing Material | List Price |
|----------------------------|---------------|---|--------------------------------|--|------------|
| Series | Tube Diameter | Maximum horsepower and maximum length ^{note 1} | | | |
| 301 Class 2 | 6" ID | 300 hp - 11'-11 1/2" OAL | SS - SS | HDG - CAD Plate - SS - Cl or DI | \$6,635 |
| 301 Class 3 | | 300 hp - 11'-11 1/2" OAL | SS - SS | 316SS - SS - SS - 416SS | \$8,294 |
| 400H Class 2 | | 300 hp - 12'-3 1/2" OAL | Fiberglass/Carbon Fiber Hybrid | HDG - EG - Iron - SS | \$9,492 |
| 400C Class 2 | | 300 hp - 14'-0 1/2" OAL | Carbon Fiber | HDG - EG - Iron - SS | \$9,563 |
| 400M Class 2 | | 300 hp - 15'-5 1/2" OAL | Carbon Fiber/High Mod CF | HDG - EG - Iron - SS | \$11,143 |
| 400H Class 4 | | 300 hp - 12'-3 1/2" OAL | Fiberglass/Carbon Fiber Hybrid | 316SS - 316SS - 416SS - 316SS | \$10,440 |
| 400C Class 4 | | 300 hp - 14'-0 1/2" OAL | Carbon Fiber | 316SS - 316SS - 416SS - 316SS | \$10,517 |
| 400M Class 4 | | 300 hp - 15'-5 1/2" OAL | Carbon Fiber/High Mod CF | 316SS - 316SS - 416SS - 316SS | \$12,257 |

| Marley Comp-DS Driveshaft Assembly | | Tube Material | Hub and Hardware Material | List Price | |
|------------------------------------|-------|-------------------------|--------------------------------|---------------------|----------|
| COMP-4G | 4" ID | 150 hp - 8'-7 1/2" OAL | Fiberglass | 316 Stainless Steel | \$11,652 |
| COMP-4H | | 200 hp - 10'-3 1/2" OAL | Fiberglass/Carbon Fiber Hybrid | 316 Stainless Steel | \$12,163 |
| COMP-4C | | 200 hp - 11'-7 1/2" OAL | Carbon Fiber | 316 Stainless Steel | \$12,615 |
| COMP-4M | | 200 hp - 12'-7 1/2" OAL | Carbon Fiber/High Mod CF | 316 Stainless Steel | \$13,155 |
| COMP-6H | 6" ID | 300 hp - 12'-0 1/2" OAL | Fiberglass/Carbon Fiber Hybrid | 316 Stainless Steel | \$14,017 |
| COMP-6C | | 300 hp - 13'-9 1/2" OAL | Carbon Fiber | 316 Stainless Steel | \$13,780 |
| COMP-6M | | 300 hp - 15'-2 1/2" OAL | Carbon Fiber/High Mod CF | 316 Stainless Steel | \$14,961 |

note 1 - Maximum horsepower based on 1800 RPM nominal motor speed; contact SPX Cooling Technologies for horsepower rating at other input speeds.

| Marley 301/400 Driveshaft Replacement Wear Items | | | | |
|--|----------------------------------|---------------------------------|-------------------------------------|---------------------------------------|
| Series | Insert Bushing ^{note 1} | Yoke Assembly ^{note 2} | Yoke Hardware Kit ^{note 3} | Split Taper Bushing ^{note 4} |
| 301 Class 2 - 400 Class 2 | \$62 | \$2,308 | \$74 | \$732 |
| 301 Class 3 - 400 Class 4 | \$128 | \$5,259 | \$329 | \$1,336 |

| Marley Comp-DS Driveshaft Replacement Wear Items | | | |
|--|--------------------------------|-----------------------|--------------------------------|
| Series | Flex Element ^{note 5} | Hub ^{note 6} | Hardware Kit ^{note 7} |
| COMP-4 | \$1,518 | \$1,090 | \$250 |
| COMP-6 | \$1,822 | \$1,311 | \$250 |

| Accessories | |
|------------------------------|-------|
| Dial Indicator Alignment Kit | \$420 |

note 1 - Insert bushing price per individual bushing. There are 12 bushings per driveshaft.

note 2 - Yoke assembly price per yoke. There are 2 yokes per driveshaft. Yoke assembly includes the yoke and the insert bushings pressed fit

note 3 - Yoke hardware kit price per kit. There are 2 hardware kits used per driveshaft. Kit includes cap screws, lock washers, hex nuts, and set screw needed for attachment of yoke and split taper bushing.

note 4 - Split taper bushing price per bushing. There are 2 split taper bushings used per driveshaft. Bore size and keyway must be specified at time of order.

note 5 - Flex element price per flex element. There are 2 flex elements used per driveshaft.

note 6 - Hub price is per hub. There are 2 hubs used per driveshaft. Bore size and keyway must be specified at time of order.

note 7 - Hardware kit price is per kit. There are 2 hardware kits used per driveshaft. Kit includes cap screws, washers, nuts, set screws and Loctite for attachment of flex element and hub.



Addax Driveshaft

Effective June 5th 2024

| Addax® Driveshaft Assembly | | |
|----------------------------|---------------------------|-------------|
| Model | Hub and Hardware Material | List Price |
| LRF350.275 | 316 Stainless Steel | contact SPX |
| LRA350.275 | 316 Stainless Steel | contact SPX |
| LRR350.275 | 316 Stainless Steel | contact SPX |
| LRF375.275 | 316 Stainless Steel | contact SPX |
| LRA375.275 | 316 Stainless Steel | contact SPX |
| LRR375.275 | 316 Stainless Steel | contact SPX |
| LRF450.275 | 316 Stainless Steel | contact SPX |
| LRA450.275 | 316 Stainless Steel | contact SPX |
| LRR450.275 | 316 Stainless Steel | contact SPX |
| LRX450.275 | 316 Stainless Steel | contact SPX |
| LRF485.338 | 316 Stainless Steel | contact SPX |
| LRA485.338 | 316 Stainless Steel | contact SPX |
| LRR485.338 | 316 Stainless Steel | contact SPX |
| LRR485.425 | 316 Stainless Steel | contact SPX |
| LRX485.425 | 316 Stainless Steel | contact SPX |
| LRR485.625 | 316 Stainless Steel | contact SPX |
| LRA650.425 | 316 Stainless Steel | contact SPX |
| LRR650.425 | 316 Stainless Steel | contact SPX |
| LRX650.425 | 316 Stainless Steel | contact SPX |
| LRR650.625 | 316 Stainless Steel | contact SPX |
| LRX650.625 | 316 Stainless Steel | contact SPX |
| LRR650.825 | 316 Stainless Steel | contact SPX |
| LRX650.825 | 316 Stainless Steel | contact SPX |
| LRA850.625 | 316 Stainless Steel | contact SPX |
| LRR850.625 | 316 Stainless Steel | contact SPX |
| LRX850.625 | 316 Stainless Steel | contact SPX |
| LRR850.825 | 316 Stainless Steel | contact SPX |
| LRX850.825 | 316 Stainless Steel | contact SPX |
| LRX850.1025 | 316 Stainless Steel | contact SPX |
| LRX850.1275 | 316 Stainless Steel | contact SPX |



Marley Fan

Effective June 5th 2024

| Marley Fan | | | | | | | |
|---------------|-------------|-------------|-------------|-------------------------|-------------------------------|------------------------------------|--|
| Model | Diameter in | Diameter ft | Blade Count | Fan Assembly List Price | Triple Epoxy Coated Hub - Add | 316 Stainless Steel Hardware - Add | Fan Blade List Price hardware not included |
| FAN HP7192-06 | 192 | 16 | 6 | \$11,471 | \$1,950 | \$450 | \$2,438 |
| FAN HP7192-07 | | | 7 | \$12,995 | \$2,275 | \$525 | \$2,438 |
| FAN HP7192-08 | | | 8 | \$14,925 | \$2,600 | \$600 | \$2,438 |
| FAN HP7192-09 | | | 9 | \$16,738 | \$2,925 | \$675 | \$2,438 |
| FAN HP7216-06 | 216 | 18 | 6 | \$11,803 | \$1,950 | \$450 | \$2,438 |
| FAN HP7216-07 | | | 7 | \$13,722 | \$2,275 | \$525 | \$2,438 |
| FAN HP7216-08 | | | 8 | \$15,235 | \$2,600 | \$600 | \$2,438 |
| FAN HP7216-09 | | | 9 | \$16,897 | \$2,925 | \$675 | \$2,438 |
| FAN HP7240-06 | 240 | 20 | 6 | \$12,347 | \$1,950 | \$450 | \$2,438 |
| FAN HP7240-07 | | | 7 | \$14,092 | \$2,275 | \$525 | \$2,438 |
| FAN HP7240-08 | | | 8 | \$16,046 | \$2,600 | \$600 | \$2,438 |
| FAN HP7240-09 | | | 9 | \$17,856 | \$2,925 | \$675 | \$2,438 |
| FAN HP7240-10 | | | 10 | \$21,504 | \$3,250 | \$750 | \$2,438 |
| FAN HP7264-06 | 264 | 22 | 6 | \$18,621 | \$2,550 | \$450 | \$3,470 |
| FAN HP7264-07 | | | 7 | \$20,270 | \$2,975 | \$525 | \$3,470 |
| FAN HP7264-08 | | | 8 | \$23,117 | \$3,400 | \$600 | \$3,470 |
| FAN HP7264-09 | | | 9 | \$25,701 | \$3,825 | \$675 | \$3,470 |
| FAN HP7264-10 | | | 10 | \$27,020 | \$4,250 | \$750 | \$3,470 |
| FAN HP7264-11 | | | 11 | \$28,250 | \$4,675 | \$825 | \$3,470 |
| FAN HP7264-12 | | | 12 | \$33,039 | \$5,100 | \$900 | \$3,470 |
| FAN HP7264-14 | | | 14 | \$43,012 | \$5,950 | \$1,050 | \$3,470 |
| FAN HP7288-06 | 288 | 24 | 6 | \$22,623 | \$2,550 | \$450 | \$3,470 |
| FAN HP7288-07 | | | 7 | \$24,783 | \$2,975 | \$525 | \$3,470 |
| FAN HP7288-08 | | | 8 | \$26,274 | \$3,400 | \$600 | \$3,470 |
| FAN HP7288-09 | | | 9 | \$29,133 | \$3,825 | \$675 | \$3,470 |
| FAN HP7288-10 | | | 10 | \$30,711 | \$4,250 | \$750 | \$3,470 |
| FAN HP7288-11 | | | 11 | \$32,770 | \$4,675 | \$825 | \$3,470 |
| FAN HP7288-12 | | | 12 | \$35,666 | \$5,100 | \$900 | \$3,470 |
| FAN HP7288-14 | | | 14 | \$48,667 | \$5,950 | \$1,050 | \$3,470 |
| FAN HP7312-07 | 312 | 26 | 7 | \$26,157 | \$2,975 | \$525 | \$3,744 |
| FAN HP7336-06 | 336 | 28 | 6 | \$20,603 | \$2,550 | \$450 | \$3,744 |
| FAN HP7336-07 | | | 7 | \$23,089 | \$2,975 | \$525 | \$3,744 |
| FAN HP7336-08 | | | 8 | \$26,610 | \$3,400 | \$600 | \$3,744 |
| FAN HP7336-09 | | | 9 | \$29,098 | \$3,825 | \$675 | \$3,744 |
| FAN HP7336-10 | | | 10 | \$32,365 | \$4,250 | \$750 | \$3,744 |
| FAN HP7336-11 | | | 11 | \$33,561 | \$4,675 | \$825 | \$3,744 |
| FAN HP7336-12 | | | 12 | \$37,595 | \$5,100 | \$900 | \$3,744 |
| FAN HP7336-14 | | | 14 | \$46,551 | \$5,950 | \$1,050 | \$3,744 |
| FAN HP7360-06 | 360 | 30 | 6 | \$23,949 | \$3,150 | \$450 | \$3,744 |
| FAN HP7360-07 | | | 7 | \$25,886 | \$3,675 | \$525 | \$3,744 |
| FAN HP7360-08 | | | 8 | \$28,535 | \$4,200 | \$600 | \$3,744 |
| FAN HP7360-09 | | | 9 | \$31,243 | \$4,725 | \$675 | \$3,744 |
| FAN HP7360-10 | | | 10 | \$34,755 | \$5,250 | \$750 | \$3,744 |
| FAN HP7360-12 | | | 12 | \$40,735 | \$6,300 | \$900 | \$3,744 |
| FAN HP7360-14 | | | 14 | \$52,190 | \$7,350 | \$1,050 | \$3,744 |

Note - Fan assembly includes: fiberglass fan blades, hub seal disk, galvanized steel plate hub, painted ductile iron center hub, painted cast iron blade clamps and series 300 stainless steel hardware. Other material grades/coatings are available; contact SPX Cooling Technologies for price/leadtime.



Marley Fan

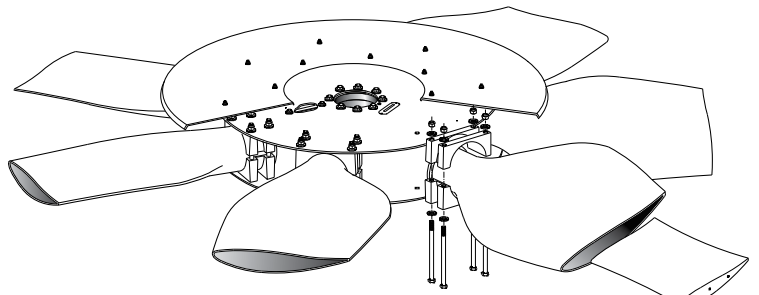
Effective June 5th 2024

| Marley Fan | | | | | | | |
|---------------|-------------|-------------|-------------|-------------------------|-------------------------------|------------------------------------|--|
| Model | Diameter in | Diameter ft | Blade Count | Fan Assembly List Price | Triple Epoxy Coated Hub - Add | 316 Stainless Steel Hardware - Add | Fan Blade List Price hardware not included |
| FAN HP7384-07 | 384 | 32 | 7 | \$30,653 | \$3,675 | \$450 | \$4,217 |
| FAN HP7384-08 | | | 8 | \$34,307 | \$4,200 | \$525 | \$4,217 |
| FAN HP7384-09 | | | 9 | \$37,784 | \$4,725 | \$600 | \$4,217 |
| FAN HP7384-10 | | | 10 | \$42,544 | \$5,250 | \$675 | \$4,217 |
| FAN HP7384-12 | | | 12 | \$49,107 | \$6,300 | \$750 | \$4,217 |
| FAN HP7394-06 | 394 | 32.8 | 6 | \$27,773 | \$3,150 | \$1,500 | \$4,217 |
| FAN HP7394-07 | | | 7 | \$31,544 | \$3,675 | \$1,750 | \$4,217 |
| FAN HP7394-08 | | | 8 | \$34,594 | \$4,200 | \$2,000 | \$4,217 |
| FAN HP7394-09 | | | 9 | \$38,069 | \$4,725 | \$2,250 | \$4,217 |
| FAN HP7394-10 | | | 10 | \$42,830 | \$5,250 | \$2,500 | \$4,217 |
| FAN HP7394-11 | | | 11 | \$44,070 | \$5,775 | \$2,750 | \$4,217 |
| FAN HP7394-12 | | | 12 | \$49,384 | \$6,300 | \$3,000 | \$4,217 |
| FAN HP7394-14 | | | 14 | \$56,011 | \$7,350 | \$3,500 | \$4,217 |

Note - Fan assembly includes: fiberglass fan blades, hub seal disk, galvanized steel plate hub, painted ductile iron center hub, painted cast iron blade clamps and series 300 stainless steel hardware. Other material grades/coatings are available; contact SPX Cooling Technologies for price/leadtime.



HP7000 Fan [read more](#)



HP7000 Fan Assembly

Hudson Fan

Effective June 5th 2024

| Hudson Tuf-Lite® III Fan | | | | | |
|--------------------------|-------------|-------------|--------------|-------------------------|----------------------|
| Model | Diameter in | Diameter ft | Blade Count | Fan Assembly List Price | Fan Blade List Price |
| APT-22K-# | 264 | 22 | 6 through 20 | contact SPX | contact SPX |
| APT-24K-# | 288 | 24 | 6 through 20 | contact SPX | contact SPX |
| APT-26K-# | 312 | 26 | 6 through 20 | contact SPX | contact SPX |
| APT-28K-# | 336 | 28 | 6 through 20 | contact SPX | contact SPX |
| APT-30K-# | 360 | 30 | 6 through 20 | contact SPX | contact SPX |
| APT-32K-# | 384 | 32 | 6 through 20 | contact SPX | contact SPX |
| APT-32.8K-# | 394 | 32.8 | 6 through 20 | contact SPX | contact SPX |
| APT-33K-# | 396 | 33 | 6 through 20 | contact SPX | contact SPX |

| Hudson Tuf-Lite® II Fan | | | | | |
|-------------------------|-------------|-------------|--------------|-------------------------|----------------------|
| Model | Diameter in | Diameter ft | Blade Count | Fan Assembly List Price | Fan Blade List Price |
| APT-34H7-# | 408 | 34 | 6 through 14 | contact SPX | contact SPX |
| APT-36H7-# | 432 | 36 | 6 through 17 | contact SPX | contact SPX |
| APT-40H-# | 480 | 40 | 6 through 16 | contact SPX | contact SPX |

Marley Fan Cylinder

Effective June 5th 2024

| New Design Large Diameter 10' Tall Marley Fan Cylinder Assembly | | | | | |
|---|-------------|-------------|-----------|------------|---------------------------|
| Style | Diameter in | Diameter ft | Height ft | List Price | Fire Retardant List Price |
| V-Rib | 336 | 28 | 10 | \$20,167 | \$24,101 |
| V-Rib | 360 | 30 | | \$21,435 | \$25,672 |
| V-Rib | 384 | 32 | | \$22,761 | \$27,300 |
| V-Rib | 394 | 32.8 | | \$23,381 | \$28,021 |

| Marley Fan Cylinder Assembly | | | | | | | |
|------------------------------|-------------|-------------|-----------|------------|---------------------------|----------|----------|
| Style | Diameter in | Diameter ft | Height ft | List Price | Fire Retardant List Price | | |
| H-Rib | 120 | 10 | 6 | \$7,816 | \$10,568 | | |
| H-Rib | 144 | 12 | 6 | \$11,507 | \$13,698 | | |
| H-Rib | | | 10 | \$17,872 | \$21,039 | | |
| V-Rib | 168 | 14 | 6 | \$8,217 | \$10,270 | | |
| H-Rib | | | 7 | \$11,382 | \$14,227 | | |
| V-Rib | | | 7 | \$12,800 | \$15,355 | | |
| H-Rib | | | 10 | \$17,116 | \$21,395 | | |
| V-Rib | | | 10 | \$14,681 | \$18,351 | | |
| Reflex V-Rib | | | 10 | \$14,573 | \$17,021 | | |
| V-Rib | | | 192 | 16 | 6 | \$8,638 | \$10,798 |
| V-Rib | | | | | 10 | \$16,570 | \$20,213 |
| V-Rib | 6 | \$12,510 | | | \$15,638 | | |
| H-Rib | 216 | 18 | 7 | \$15,741 | \$20,654 | | |
| V-Rib | | | 10 | \$18,589 | \$23,235 | | |
| Reflex V-Rib | | | 10 | \$18,498 | \$22,156 | | |
| V-Rib | | | 6 | \$16,039 | \$20,048 | | |
| V-Rib | 240 | 20 | 10 | \$21,143 | \$25,504 | | |
| V-Rib | | | 14 | \$32,663 | \$40,829 | | |
| V-Rib | | | 6 | \$16,073 | \$20,091 | | |
| V-Rib | | | 10 | \$24,543 | \$30,680 | | |
| Reflex V-Rib | 264 | 22 | 12 | \$25,857 | \$30,444 | | |
| V-Rib | | | 14 | \$32,168 | \$40,209 | | |
| Reflex V-Rib | 288 | 24 | 12 | \$28,105 | \$33,142 | | |
| V-Rib | | | 18 | \$43,276 | \$54,094 | | |
| Reflex V-Rib | | | 7 | \$20,809 | \$26,010 | | |
| Reflex V-Rib | 336 | 28 | 14 | \$31,597 | \$38,208 | | |
| V-Rib | | | 18 | \$53,137 | \$66,423 | | |
| X-Rib | | | 18 | \$59,534 | \$74,417 | | |
| Reflex V-Rib | | | 7 | \$22,250 | \$27,813 | | |
| Reflex V-Rib | 360 | 30 | 14 | \$33,755 | \$40,840 | | |
| X-Rib | | | 18 | \$70,499 | \$88,124 | | |
| Reflex V-Rib | 384 | 32 | 14 | \$35,940 | \$43,497 | | |
| Reflex V-Rib | 394 | 32.8 | 14 | \$37,475 | \$45,323 | | |
| X-Rib | | | 18 | \$69,436 | \$86,795 | | |

NOTES:

(1) Pricing includes: FRP spray layup segments, seal sheets, standard S300 segment hardware, gaskets, and sealer as required, per fan cylinder. Anchorage hardware is NOT included and is sold separately.

(2) Special options, expedited leadtimes, or other non-standard considerations will incur additional cost. Contact WHQ for pricing & leadtime.

[read more](#)



Midwest Fan Cylinder

Effective June 5th 2024

| Midwest Fan Cylinder Assembly | | | | |
|-------------------------------|-------------|--|-------------|---------------------------|
| Diameter in | Diameter ft | Height ft | List Price | Fire Retardant List Price |
| 60 | 5 | 8 | contact SPX | contact SPX |
| 72 | 6 | 2 - 2.6 - 4 - 6 | contact SPX | contact SPX |
| 78 | 6.5 | 7 | contact SPX | contact SPX |
| 84 | 7 | 3 - 3.6 - 4 - 6 | contact SPX | contact SPX |
| 96 | 8 | 3 - 3.6 - 4 - 6 - 9 | contact SPX | contact SPX |
| 108 | 9 | 2 - 6 - 7 | contact SPX | contact SPX |
| 120 | 10 | 2 - 3.6 - 4 - 6 - 8 - 10 | contact SPX | contact SPX |
| 132 | 11 | 3 - 6 - 7 - 14 | contact SPX | contact SPX |
| 144 | 12 | 2 - 4 - 3 - 4 - 6 - 10 | contact SPX | contact SPX |
| 156 | 13 | 1.5 - 6 - 7.6 | contact SPX | contact SPX |
| 168 | 14 | 3 - 4 - 4.75 - 6 - 6.6 - 10 - 18 | contact SPX | contact SPX |
| 183 | 15.25 | 6 | contact SPX | contact SPX |
| 180 | 15 | 6.6 - 10 | contact SPX | contact SPX |
| 192 | 16 | 6 | contact SPX | contact SPX |
| 216 | 18 | 6 - 7 - 8 - 10 - 14 - 18 | contact SPX | contact SPX |
| 228 | 19 | 6 | contact SPX | contact SPX |
| 240 | 20 | 6 - 7 - 10 - 13 - 14 - 20 | contact SPX | contact SPX |
| 264 | 22 | 6 - 7 - 10 - 12 - 14 | contact SPX | contact SPX |
| 288 | 24 | 6 - 10 - 14 - 18 | contact SPX | contact SPX |
| 312 | 26 | 6 - 7 - 10 - 14 - 18 | contact SPX | contact SPX |
| 336 | 28 | 6 - 7.25 - 10 - 11.3 - 14 - 16.4 - 18 - 24 | contact SPX | contact SPX |
| 360 | 30 | 6 - 10 - 14 - 16.4 - 18 | contact SPX | contact SPX |
| 384 | 32 | 6 - 7 - 10 - 14 - 16.4 - 18' | contact SPX | contact SPX |
| 389.76 | 32.48 | 7 - 8 - 10 - 16.4 | contact SPX | contact SPX |
| 393.75 | 32.8 | 6 - 7 - 10 - 14 - 18 | contact SPX | contact SPX |
| 408 | 34 | 13.12 | contact SPX | contact SPX |
| 432 | 36 | 6 - 7 - 10 - 14 | contact SPX | contact SPX |
| 480 | 40 | 10 - 14 - 20' | contact SPX | contact SPX |

Marley Counterflow Film Fill

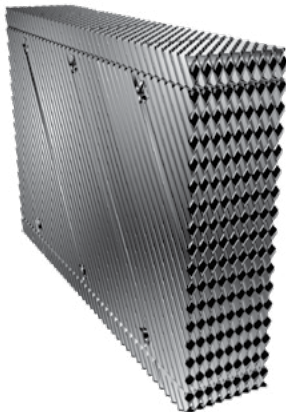
Effective June 5th 2024

| Marley Counterflow Film Fill | | | | |
|------------------------------|---|-------------------------------|---|-----------------------|
| Product | PVC Sheet Thickness Before Forming - After Forming in | Air Travel - Pack Depth in | Standard Pack Size width x length in | List Price/cubic foot |
| MC75 | .015 -.010 | 12 | 12 x 72 | \$8.58 |
| | .015 -.010 | 24 | | \$8.58 |
| | .015 -.010 | 48 | | \$8.58 |
| | .022 -.015 | 12 | | \$10.55 |
| | .022 -.015 | 24 | | \$10.55 |
| | .022 -.015 | 48 | | \$10.55 |
| DF254 | .020 -.012 | 15.75 | 12 x 72 | \$8.58 |
| | .020 -.012 | 47.25 | | \$8.58 |
| | .026 -.015 | 15.75 | | \$10.55 |
| | .026 -.015 | 47.25 | | \$10.55 |
| FB20 | .015 -.010 | 11.80 | 11.13 x 72 | \$8.58 |
| | .015 -.010 | 23.63 | | \$8.58 |
| | .015 -.010 | 47.25 | | \$8.58 |
| | .020 -.015 | 11.80 | | \$10.55 |
| | .020 -.015 | 23.6 | | \$10.55 |
| | .020 -.015 | 47.25 | | \$10.55 |
| MVC20 | .015 -.010 | 16 | 11.2 x 72 | \$9.33 |
| | .015 -.010 | 24 | | \$9.33 |
| | .015 -.010 | 48 | | \$9.33 |
| | .020 -.015 | 16 | | \$11.71 |
| | .020 -.015 | 24 | | \$11.71 |
| | .020 -.015 | 48 | | \$11.71 |

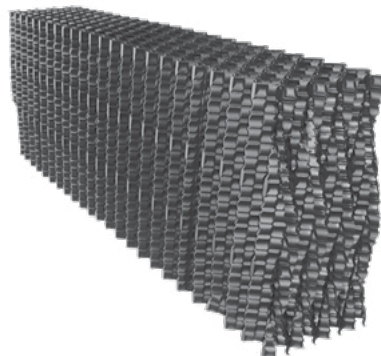


FB20 Film Fill [read more](#)

Note 1 - SPX to determine fill origin (Olathe, KS or York, PA) based on destination.
 Note 2 - Standard price above includes pallets. If pallets are not desired, contact SPX.
 Note 3 - Factory pack cutting charge of \$0.10 per cubic foot. Applies to non-standard pack sizes. Standard packs shown above.
 Note 4 - Price per cubic foot applies to standard pack sizes as shown. Deviations from standard pack size may result in price surcharge.



MC75 Film Fill [read more](#)



DF254 Film Fill [read more](#)



MVC20 Film Fill [read more](#)

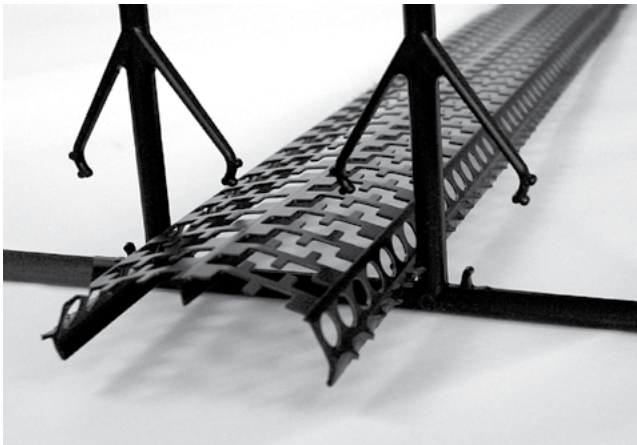


Marley Crossflow Splash Fill

Effective June 5th 2024

| Marley Crossflow Splash Fill Bars | | |
|-----------------------------------|------------------|------------------------|
| Product | PVC Thickness in | List Price/linear foot |
| Mesa | .050 | \$0.88 |
| Alpha III | .050 | \$0.84 |
| Alpha III C (wingless) | .050 | \$0.84 |
| Omega | .050 | \$0.67 |

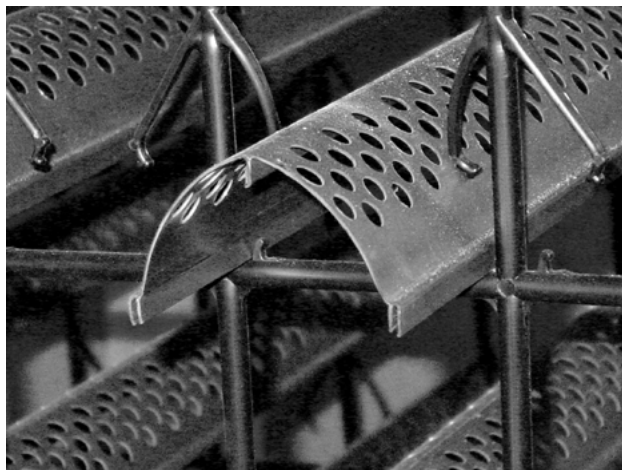
Note - Grids and bench ties are also available. Contact SPX for price/leadtime.



Mesa Splash Fill [read more](#)



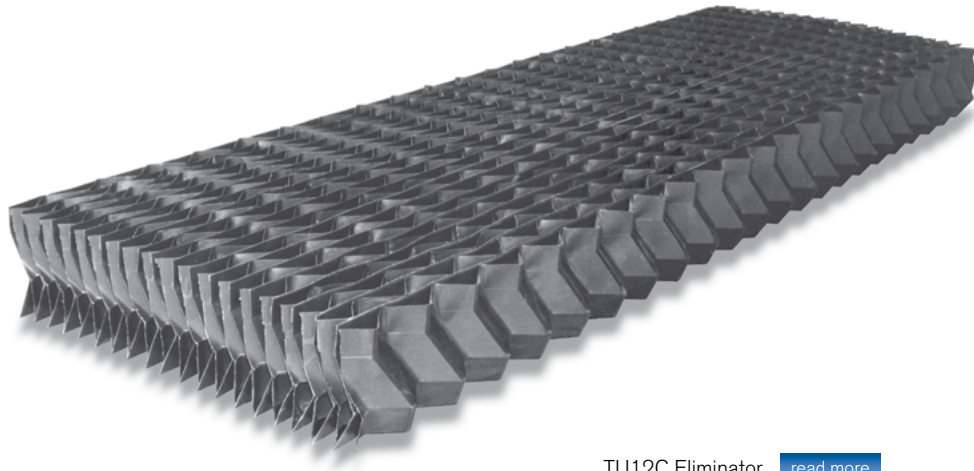
Alpha III Splash Fill [read more](#)



Omega Splash Fill [read more](#)

Marley XCEL TU Eliminator

Effective June 5th 2024



TU12C Eliminator [read more](#)

| Marley XCEL® TU Eliminator Packs | | | |
|----------------------------------|------------------|--------------------------------------|------------------------|
| Product | PVC Thickness in | Standard Pack Size width x length in | List Price/square foot |
| TU12C Counterflow | .017 | 24 x 72 | \$6.17 |
| TU12C Counterflow | .017 | 24 x 144 | \$6.17 |
| TU12C Counterflow | .020 | 24 x 144 | \$6.91 |
| TU12X Crossflow | .017 | 9.6 x 144 | \$6.17 |
| TU12X Crossflow | .020 | 9.6 x 144 | \$6.91 |

Note - Additional palleting charge of \$0.20 per sq ft. Factory pack cutting charge of \$0.10 per sq ft.
Widths available - 9.6", 14.4", 24" and 19.2"

Marley Crossflow Nozzle

Effective June 5th 2024

| Product | Orifice Diameter in | Model Number | Item Number | List Price - Each |
|---------------------------------|---------------------|--------------|-------------|-------------------|
| Metering Orifice No Diffuser | Blank | 59-2548-0 | 054353 | \$9.17 |
| | 1/4 | 59-2548-16 | 026310 | \$9.17 |
| | 19/32 | 59-2548-19 | 510651 | \$9.17 |
| | 11/16 | 59-2548-22 | 026336 | \$9.17 |
| | 13/16 | 59-2548-26 | 026344 | \$9.17 |
| | 15/16 | 59-2548-30 | 026351 | \$9.17 |
| | 1 1/8 | 59-2548-36 | 026369 | \$9.17 |
| | 1 5/16 | 59-2548-42 | 026377 | \$9.17 |
| | 1 1/2 | 59-2548-48 | 026385 | \$9.17 |



| Product | Orifice Diameter in Nominal - Actual - Color | Model Number | Item Number | List Price - Each |
|------------------------------------|---|--------------|-------------|-------------------|
| Spiral Target Nozzle Short Stem | Blank | 68-3738-1 | D44548 | \$7.63 |
| | 25/64 - .362 - Light Gray | 68-3738-25 | D44535 | \$7.63 |
| | 27/64 - .400 - Dark Blue | 68-3738-27 | D44536 | \$7.63 |
| | 15/32 - .439 - Yellow | 68-3738-30 | D44537 | \$7.63 |
| | 39/64 / .490 - Red | 68-3738-33 | D44538 | \$7.63 |
| | 9/16 - .531 - Brown | 68-3738-36 | D44539 | \$7.63 |
| | 39/64 - .580 - Tan | 68-3738-39 | D44540 | \$7.63 |
| | 21/32 - .621 - White | 68-3738-42 | D44541 | \$7.63 |
| | 45/64 - .700 - Black | 68-3738-45 | D44542 | \$7.63 |
| | 51/64 - .800 - Green | 68-3738-51 | D44543 | \$7.63 |
| | 15/16 - .900 - Dark Gray | 68-3738-60 | D44544 | \$7.63 |
| | 1 1/32 - 1.000 - Blue | 68-3738-66 | D44545 | \$7.63 |
| | 1 1/8 - 1.099 - Orange | 68-3738-72 | D44546 | \$7.63 |
| | 1 5/16 - 1.310 - Black | 68-3738-84 | D44547 | \$7.63 |

[read more](#)



| Product | Orifice Diameter in Nominal - Actual - Color | Model Number | Item Number | List Price - Each |
|-----------------------------------|---|--------------|-------------|-------------------|
| Spiral Target Nozzle Long Stem | Blank | 71-3462-1 | 395277 | \$8.32 |
| | 25/64 - .362 - Light Gray | 71-3462-25 | 542043 | \$8.32 |
| | 27/64 - .400 - Dark Blue | 71-3462-27 | 509430 | \$8.32 |
| | 15/32 - .439 - Yellow | 71-3462-30 | 451781 | \$8.32 |
| | 39/64 / .490 - Red | 71-3462-33 | 059923 | \$8.32 |
| | 9/16 - .531 - Brown | 71-3462-36 | 062976 | \$8.32 |
| | 39/64 - .580 - Tan | 71-3462-39 | 150680 | \$8.32 |
| | 21/32 - .621 - White | 71-3462-42 | 063503 | \$8.32 |
| | 45/64 - .700 - Black | 71-3462-45 | 151019 | \$8.32 |
| | 51/64 - .800 - Green | 71-3462-51 | 065425 | \$8.32 |
| | 15/16 - .900 - Dark Gray | 71-3462-60 | 577502 | \$8.32 |
| | 1 1/32 - 1.000 - Blue | 71-3462-66 | 036251 | \$8.32 |
| | 1 1/8 - 1.099 - Orange | 71-3462-72 | 279208 | \$8.32 |
| | 1 5/16 - 1.310 - Black | 71-3462-84 | 203463 | \$8.32 |

[read more](#)



| Product | Orifice Diameter in | Model Number | Item Number | List Price - Each |
|-------------------------------|---------------------|--------------|-------------|-------------------|
| Spiral Target Nozzle Sigma | .400 | 90-4242-101 | C20932 | \$8.32 |
| | .440 | 90-4242-102 | C20933 | \$8.32 |
| | .490 | 90-4242-103 | C20934 | \$8.32 |
| | .530 | 90-4242-104 | C20935 | \$8.32 |
| | .580" | 90-4242-105 | C20936 | \$8.32 |
| | .620 | 90-4242-106 | C20937 | \$8.32 |
| | .700 | 90-4242-107 | C20938 | \$8.32 |
| | .800 | 90-4242-108 | C20939 | \$8.32 |
| | .900 | 90-4242-109 | C20940 | \$8.32 |
| | 1.000 | 90-4242-110 | C20941 | \$8.32 |

[read more](#)



| Product | Orifice Diameter in | Model Number | Item Number | List Price - Each |
|-----------|---------------------|--------------|-------------|-------------------|
| NX Nozzle | 1 7/8 | 86-4913-188 | 294843 | \$60.00 |
| | 2 1/2 | 86-4913-250 | 266361 | \$60.00 |

[read more](#)



Marley Counterflow Nozzle

Effective June 5th 2024

| Product | Orifice Diameter - Color in | Model Number | Nozzle Item Number | List Price - Each | Diffusion Ring Item Number | List Price - Each |
|-----------------------------------|-----------------------------|--------------|--------------------|-------------------|----------------------------|-------------------|
| NS5A read more | 1 - Blue | 82-42705-64 | 570481 | \$15.00 | B49969 | \$7.39 |
| | 1 1/8 - Orange | 82-42705-72 | 146852 | \$15.00 | B49969 | \$7.39 |
| | 1 1/4 - Brown | 82-42705-80 | A19866 | \$15.00 | B49969 | \$7.39 |
| | 1 3/8 - Grey | 82-42705-88 | A18675 | \$15.00 | B49969 | \$7.39 |
| | 1 1/2 - Green | 82-42705-96 | 094011 | \$15.00 | B49969 | \$7.39 |
| | 1 5/8 - Red | 82-42705-104 | 147835 | \$15.00 | B49969 | \$7.39 |
| | 1 3/4 - Tan | 82-42705-112 | 813055 | \$15.00 | B49969 | \$7.39 |
| | 1 7/8 - Yellow | 82-42705-120 | 426866 | \$15.00 | B49969 | \$7.39 |
| Product | Orifice Diameter in | Model Number | Nozzle Item Number | List Price - Each | Diffusion Ring Item Number | List Price - Each |
| NS6 | 2 | 83-4646-128 | B41022 | \$24.00 | 750851 | \$9.25 |
| | 2 1/4 | 83-4646-144 | A96806 | \$24.00 | 750851 | \$9.25 |
| | 2 1/2 | 83-4646-160 | A76021 | \$24.00 | 750851 | \$9.25 |
| | 3 | 83-4646-192 | A77474 | \$24.00 | 750851 | \$9.25 |
| | 3 1/2 | 83-4646-224 | 517029 | \$24.00 | 750851 | \$9.25 |

| Product | Component | Model Number | Item Number | List Price - Each | Quantity per Assembly |
|--|------------------------------------|--------------|-------------|-------------------|-----------------------|
| NS5A - NS6 Components | Branch Arm | 80-450-1 | 667030 | \$28.00 | 1 |
| | Branch Arm Coupling | 80-43104-3 | 334078 | \$5.19 | 2 |
| | Branch Arm EPDM Gasket | 80-2939-1 | 667048 | \$19.00 | 1 |
| Product | Component | Pipe Size | Item Number | List Price - Each | Quantity per Assembly |
| Original Design Band-It Connection Parts | Band-It Assembly - Stainless Steel | 6" Diameter | 861245 | \$5.53 | 2 |
| | Band-It Assembly - Stainless Steel | 8" Diameter | 452276 | \$5.31 | 2 |
| | Band-It Assembly - Stainless Steel | 10" Diameter | 861302 | \$7.11 | 2 |
| | Band-It Scru-Seal Clamp | | 209403 | \$21.00 | |
| | Band-It 3/8"x 100'-0 Roll | | 069625 | \$93.00 | |
| Product | Orifice Diameter in | Pipe Size | Item Number | List Price - Each | Quantity per Assembly |
| Current Design Connection Parts read more | Attaching Bar - Stainless Steel | 6" Diameter | 2082543 | \$13.00 | 1 |
| | Attaching Bar - Stainless Steel | 8" Diameter | 2064397 | \$44.00 | 1 |
| | Attaching Bar - Stainless Steel | 10" Diameter | 2128697 | \$32.00 | 1 |
| | Shim - Stainless Steel | | 2065630 | \$5.01 | 1 |
| | Washer | | 053900 | \$0.05 | 2 |
| | Sealing Washer - Stainless Steel | | 274860 | \$0.16 | 2 |
| | Self-Locking Nut - Stainless Steel | | B18412 | \$0.11 | 2 |



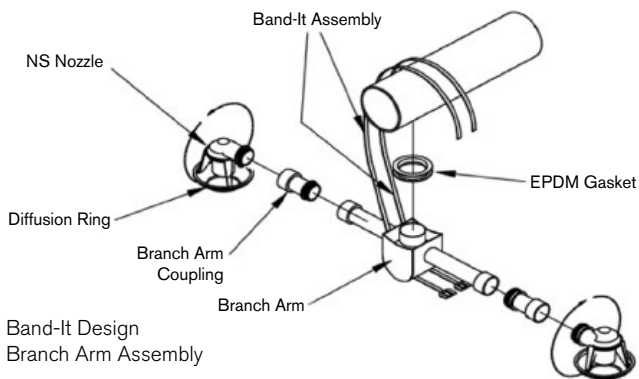
NS5A Nozzle



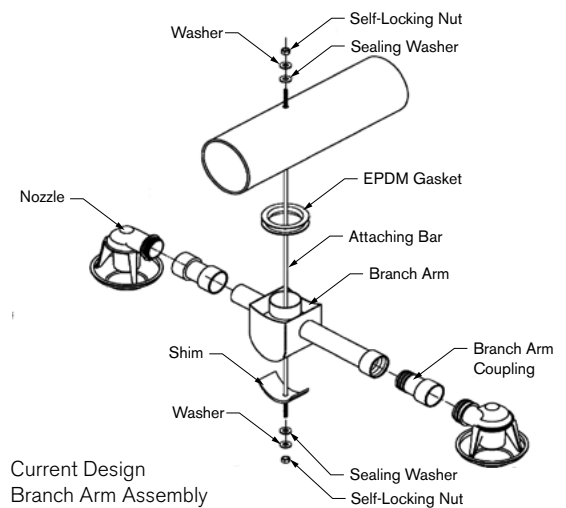
NS6 Nozzle



Branch Arm Coupling



Band-It Design Branch Arm Assembly



Current Design Branch Arm Assembly

Ceramic Nozzle

Effective June 5th 2024

| Ceramic® Nozzle | | | |
|------------------------------------|--------------------------|--------------|-----------------|
| Product | | Model Number | List Price each |
| Nozzle ABS Munters | Square Full Cone | 04-034-003 | \$31.00 |
| Nozzle Nylon 1B Orifice | For Munters (04) | 04-035-051 | \$3.75 |
| Nozzle Nylon 1C Orifice | For Munters Nozzle | 04-035-052 | \$3.59 |
| Nozzle Nylon Turbulator | 1A-Munters Nozzle | 04-035-060 | \$15.00 |
| Nozzle Nylon Turbulator | 1B-Munters Nozzle | 04-035-061 | \$12.00 |
| Nozzle Nylon Turbulator | 1C-Munters Nozzle | 04-035-062 | \$7.09 |
| Nozzle Nylon Turbulator | 1D-Munters Nozzle | 04-035-063 | \$6.43 |
| Nozzle Adapter ABS Munters | 2" Thread | 04-351-100 | \$29.00 |
| Nozzle ABS 1 1/4" Diameter | | 04-034-001 | \$13.00 |
| Nozzle ABS 1 1/4" Orifice x 3/4" | Blue | 04-035-001 | \$16.00 |
| Nozzle ABS 1 1/4" Orifice x 7/8" | Yellow | 04-035-002 | \$16.00 |
| Nozzle ABS 1 1/4" Orifice x 1" | Brown | 04-035-003 | \$16.00 |
| Nozzle ABS 1 1/4" Orifice x 1 1/8" | Green | 04-035-004 | \$16.00 |
| Nozzle ABS 1 1/4" Orifice x 5/8" | Red | 04-035-005 | \$16.00 |
| Nozzle ABS 1 1/4" Orifice x 9/16" | Black | 04-035-006 | \$16.00 |
| Nozzle ABS 1 1/4" Orifice x 1/2" | White | 04-035-007 | \$16.00 |
| Nozzle ABS 1 1/4" Orifice x 7/16" | Purple | 04-035-008 | \$16.00 |
| Nozzle Adapter Snap-In | 1 1/4" x 4" | 04-036-001 | \$5.12 |
| Nozzle Extension ABS | 1 1/4" Diameter x 4 1/4" | 04-354-001 | \$4.53 |
| Nozzle Extension ABS | 1 1/4" Diameter x 6 1/4" | 04-354-002 | \$6.95 |



Nozzle ABS Munters



Ceramic ABS Nozzle

Ecodyne Nozzle

Effective June 5th 2024

| Ecodyne® Nozzle | | |
|---|--------------|-----------------|
| Product | Model Number | List Price each |
| Nozzle WP/CF 1¼" Diameter | 591-0417-285 | \$19.00 |
| Nozzle MP/CF 1¼" Orifice | 591-0418-285 | \$19.00 |
| Nozzle WP/CF 1½" Orifice | 591-0419-285 | \$19.00 |
| Nozzle MP/CF 1½" T60 | 591-0420-285 | \$19.00 |
| Nozzle WP/CF 1" T60 | 591-0421-285 | \$19.00 |
| Nozzle MP/CF T60 1" Orifice | 591-0422-285 | \$19.00 |
| Nozzle WP/CF ⅝" Orifice | 591-0423-285 | \$19.00 |
| Nozzle MP/CF 4⅝" Orifice | 591-0424-285 | \$19.00 |
| Nozzle WP/CF ⅝" Orifice | 591-0425-285 | \$19.00 |
| Nozzle MP/CF 5¼" Orifice | 591-0426-285 | \$19.00 |
| Nozzle CDN 2" Orifice | 591-0575-285 | \$29.00 |
| Nozzle Crossflow CDN 1⅝" Diameter | 591-0576-285 | \$29.00 |
| Nozzle CDN 1¾" Orifice | 591-0577-285 | \$29.00 |
| Nozzle CDN 2¼" Orifice | 591-0581-285 | \$29.00 |
| Nozzle Crossflow CDN 2⅝" Diameter | 591-0582-285 | \$29.00 |
| Nozzle CDN 2⅝" Orifice | 591-0809-285 | \$17.00 |
| Nozzle Body CNC Clog Free | 591-0812-285 | \$17.00 |
| Nozzle Insert CNC 1⅝" Diameter | 591-0818-285 | \$5.18 |
| Nozzle XF/CF 1¼" Round Edge | 591-0834-285 | \$5.80 |
| Nozzle XF/CF 1⅝" Round Edge | 591-0835-285 | \$5.80 |
| Nozzle XF/CF ¾" T70 Square Edge | 591-0840-285 | \$5.80 |
| Nozzle XF/CF ⅝" Orifice Square Edge | 591-0841-285 | \$5.38 |
| Nozzle XF/CF 1" Diameter Square Edge | 591-0842-285 | \$5.80 |
| Nozzle XF/CF 1⅝" Square Edge | 591-0843-285 | \$5.80 |
| Nozzle XF/CF 1¼" Square Edge | 591-0844-285 | \$5.80 |
| Nozzle XF/CF 1⅝" Square Edge | 591-0845-285 | \$5.80 |
| Nozzle MCF ¾" Orifice Square Edge | 591-1029-285 | \$5.80 |
| Nozzle MCF ⅝" Orifice Square Edge | 591-1030-285 | \$5.80 |
| Nozzle MCF 1" Square Edge | 591-1031-285 | \$5.80 |
| Nozzle MCF 1⅝" Square Edge | 591-1032-285 | \$5.80 |
| Nozzle MCF 1¼" Square Edge | 591-1033-285 | \$5.80 |
| Nozzle MCF 1⅝" Square Edge | 591-1034-285 | \$5.80 |
| Nozzle LH-6½" Orifice | 591-1053-285 | \$9.46 |
| Nozzle LH-D1 Snap-In Crossflow ¾" Orifice | 591-1054-285 | \$8.76 |
| Nozzle LH-D1 Snap-In Plastic Crossflow | 591-1055-285 | \$10.09 |



Ecodyne MP Nozzle



Ecodyne CDN Nozzle



Ecodyne XF/CF Nozzle

Ecodyne Nozzle

Effective June 5th 2024

| Ecodyne Nozzle | | |
|---|--------------|-----------------|
| Product | Model Number | List Price each |
| Nozzle SFF 2" NPT Thread - S59079 | 591-1064-285 | \$20.00 |
| Nozzle SFF 2" RCT Thread - S59080 | 591-1065-285 | \$18.00 |
| Nozzle Insert SFF 1.65" Brown - S59081 | 591-1072-291 | \$2.47 |
| Nozzle Insert 1.58" Purple | 591-1073-291 | \$2.47 |
| Nozzle Insert SFF 1.51" Grey - S59083 | 591-1074-291 | \$2.47 |
| Nozzle Insert SFF 1.44" Tan - S59084 | 591-1075-291 | \$2.47 |
| Nozzle Insert SFF 1.37" Dark Blue - S59085 | 591-1076-291 | \$2.47 |
| Nozzle Insert SFF 1.33" Gold - S59086 | 591-1077-291 | \$2.47 |
| Nozzle Insert SFF 1.28" Maroon - S59087 | 591-1078-291 | \$2.47 |
| Nozzle Insert SFF 1.25" Black - S59088 | 591-1079-291 | \$2.47 |
| Nozzle Insert SFF 1.22" Orange - S59089 | 591-1080-291 | \$2.47 |
| Nozzle Insert SFF 1.18" Dark Green - S59090 | 591-1081-291 | \$2.47 |
| Nozzle Insert SFF 1.13" Light Blue - S59091 | 591-1082-291 | \$2.47 |
| Nozzle Insert SFF 1.09" Red - S59092 | 591-1083-291 | \$2.47 |
| Nozzle Insert SFF 1.05" White | 591-1084-291 | \$2.47 |
| Nozzle Insert SFF 1.01" Yellow - S59094 | 591-1085-291 | \$2.47 |
| Nozzle Insert .875" Lime Green - S59161 | 591-1095-291 | \$2.47 |
| Nozzle Adapter 4" Diameter x 2" NPT | 591-1104-289 | \$6.89 |
| Nozzle Adapter 6" Diameter x 2" NPT | 591-1106-289 | \$6.75 |
| Nozzle Adapter SFF/RC 6" Dia x 2" Rct | 591-1107-289 | \$9.02 |
| Nozzle Adapter 8" Diameter x 2" NPT | 591-1108-289 | \$6.75 |
| Nozzle Adapter 8" Diameter x 2" Rct | 591-1109-289 | \$9.02 |
| Nozzle Adapter 10" Diameter x 2" NPT | 591-1110-289 | \$6.75 |
| Nozzle Adapter 10" Dia x 12" Dia x 2" Rct | 591-1111-289 | \$9.02 |
| Nozzle Insert SFF .81" Pink - S59512 | 591-1127-291 | \$2.47 |
| Nozzle Insert .69" Olive Green - S59529 | 591-1128-291 | \$2.47 |
| Nozzle Adapter 1.5" NPT x 2" NPT | 591-1129-289 | \$4.73 |
| Nozzle Insert SFF .91" Light Green - S59851 | 591-1137-291 | \$2.47 |
| Nozzle Insert SFF .94" Taupe - S59852 | 591-1138-291 | \$2.47 |



Ecodyne SFF Nozzle



SFF Nozzle Inserts

Hamon Nozzle

Effective June 5th 2024

| Hamon® Nozzle | | | | |
|--|-----------------------------|------------------|-----------------|--|
| Product | | Model Number | List Price each | |
| ATP French Nozzle with Wood Thread | Yellow | D66132 / 2522562 | \$11.00 | |
| ATP French Nozzle with 2" NPT Thread | Green | 2596075 | \$11.00 | |
| ATP French Nozzle with Yoke Thread | Tan | D92446 / 2522563 | \$11.00 | |
| Nozzle Plas Adapter Flat - Yoke Thread | Light Gray HT-NA-71067000 | E30142 | \$6.51 | |
| Nozzle Plas Adapter 10" - Yoke Thread | Brown HT-NAa-71067010 | D66126 | \$6.51 | |
| Nozzle Plas Adapter 8" - Yoke Thread | Green HT-NA-71067008 | D66125 | \$6.51 | |
| Nozzle Plas Adapter 6" - Yoke Thread | Black HT-NA-71067006 | D66124 | \$6.51 | |
| Nozzle Plas Vap Sprayer | | D66127 | \$2.55 | |
| Nozzle Plas Adapter Flat - Wood Thread | White HT-NA-W0 | D66123 | \$6.51 | |
| Nozzle Plas Adapter 10"- Wood Thread | HT-NA-W10 | D66128 | \$6.51 | |
| Nozzle Plas Adapter 8" - Wood Thread | Yellow HT-NA-W8 | D66131 | \$6.51 | |
| Nozzle Plas Adapter 6" - Wood Thread | Red HT-NA-W6 | D66130 | \$6.51 | |
| Nozzle Plas Adapter 4" - Wood Thread | Gray HT-NA-W4 | D66129 | \$6.51 | |
| Hamon Yoke Body | HT-NB-Yoke | D66133 | \$20.00 | |
| Nozzle Plas Orifice 16mm | Brown HT-OR-74671016 | D66134 | \$1.30 | |
| Nozzle Plas Orifice 18mm | Natural HT-OR-74671018 | D66135 | \$1.30 | |
| Nozzle Plas Orifice 20mm | Tan HT-OR74671020 | D66136 | \$1.30 | |
| Nozzle Plas Orifice 21mm | C-Blue HT-OR-74671021 | D66137 | \$1.30 | |
| Nozzle Plas Orifice 22mm | White HT-ORr-74671022 | D66138 | \$1.30 | |
| Nozzle Plas Orifice 23mm | Apple Red HT-OR-74671023 | D66139 | \$1.30 | |
| Nozzle Plas Orifice 24mm | Gray HT-OR-74671024 | D66140 | \$1.30 | |
| Nozzle Plas Orifice 25mm | Almond HT-OR-74671025 | D66141 | \$1.30 | |
| Nozzle Plas Orifice 26mm | Orange HT-OR-74671026 | D66142 | \$1.30 | |
| Nozzle Plas Orifice 27mm | Black HT-OR-74671027 | D66143 | \$1.30 | |
| Nozzle Plas Orifice 28mm | Blue HT-OR-74671028 | D66187 | \$1.30 | |
| Nozzle Plas Orifice 29mm | Brown HT-OR-74671029 | D66144 | \$1.30 | |
| Nozzle Plas Orifice 30mm | Green HT-OR-74671030 | D66145 | \$1.30 | |
| Nozzle Plas Orifice 31mm | Olive HT-OR-74671031 | D66146 | \$1.30 | |
| Nozzle Plas Orifice 32mm | Red HT-OR-74671032 | D66147 | \$1.30 | |
| Nozzle Plas Orifice 33mm | Natural HT-OR-74671033 | D66148 | \$1.30 | |
| Nozzle Plas Orifice 34mm | Yellow HT-OR-74671034 | D66149 | \$1.30 | |
| Nozzle Plas Orifice 36mm | Black HT-OR-74671036 | D66150 | \$1.30 | |
| Nozzle Plas Orifice 37mm | Ivory HT-OR-74671037 | D66151 | \$1.30 | |
| Nozzle Plas Orifice 38mm | Brown HT-OR-74671038 | D66152 | \$1.30 | |
| Gasket Neop Washer/Spacer | 1"Dia x 1/8" HT-SP-74061001 | D66162 | \$1.55 | |
| Nozzle Plas Lower Splash Plate | HT-SP-74061002 | D66163 | \$2.17 | |
| Nozzle Plas Extension 4 | | D66173 | \$4.10 | |
| Nozzle Plas Extension 6 | | D66174 | \$4.66 | |
| Nozzle Extension For ATP - Wood Thread | Sprayer With Wood Nozzles | D84230 | \$5.68 | |



Hamon ATP Sprayer



Hamon Yoke Body

Research Cottrell Nozzle

Effective June 5th 2024

| Research-Cottrell® Nozzle | | |
|------------------------------------|--------------|-----------------|
| Product | Model Number | List Price each |
| Nozzle Support Frame RC | 591-7018-285 | \$40.00 |
| Nozzle Threaded Ring 6" Black | 591-7021-291 | \$14.00 |
| Nozzle Threaded Ring RCT Green | 591-7022-291 | \$16.00 |
| Nozzle Threaded Ring 12/14" Yellow | 591-7024-291 | \$16.00 |
| Nozzle Splash Plate RC Lower - G | 591-7025-285 | \$12.00 |
| Nozzle Splash Plate RC Upper - G | 591-7026-285 | \$12.00 |
| Nozzle Extension 2" NPT/CCI | 591-7032-405 | \$30.00 |
| Nozzle RC Frame w/Both Plates | 591-7033-285 | \$76.00 |
| Nozzle RC Frame With Lower Plate | 591-7035-285 | \$69.00 |
| Nozzle Extension RCT #C227123 | 591-7036-405 | \$30.00 |
| Nozzle Insert RC 1.01" Yellow | 591-7003-285 | \$5.74 |
| Nozzle Insert RC 1.05" White | 591-7004-285 | \$5.74 |
| Nozzle Insert RC 1.09" Red | 591-7005-285 | \$5.74 |
| Nozzle Insert RC 1.13" Light Blue | 591-7006-285 | \$5.74 |
| Nozzle Insert RC 1.18" Kelly Green | 591-7007-285 | \$5.74 |
| Nozzle Insert RC 1.22" Orange | 591-7008-285 | \$5.74 |
| Nozzle Insert RC 1.25" Black | 591-7009-285 | \$5.74 |
| Nozzle Insert RC 1.28" Moss Green | 591-7010-285 | \$6.29 |
| Nozzle Insert RC 1.33" Gold | 591-7011-285 | \$5.74 |
| Nozzle Insert RC 1.37" Dark Blue | 591-7012-285 | \$5.74 |
| Nozzle Insert RC 1.44" Tan | 591-7013-285 | \$5.74 |
| Nozzle Insert RC 1.51" Gray | 591-7014-285 | \$5.74 |
| Nozzle Insert RC 1.58" Purple | 591-7015-285 | \$5.74 |
| Nozzle Insert RC 1.65" Brown | 591-7016-285 | \$5.74 |



RC Nozzle Frame with Upper and Lower Plates



RC Nozzle Frame with Lower Plate



RC Nozzle Inserts

Balcke Nozzle

Effective June 5th 2024

| Balcke® Nozzle | | |
|---|--------------|-----------------|
| Product | Model Number | List Price each |
| V-Assembly Nozzle 25mm w/Cage Pink - 4053 | D41541 | \$26.00 |
| V-Assembly Nozzle 27mm w/Cage Violet - 4053 | D41542 | \$26.00 |
| V-Assembly Nozzle 28mm w/Cage Maroon - 4053 | D41543 | \$26.00 |
| V-Assembly Nozzle 29mm w/Cage Medium Green - 4053 | D41544 | \$26.00 |
| V-Assembly Nozzle 30mm w/Cage Dark Blue - 4053 | D41545 | \$26.00 |
| V-Assembly Nozzle 38mm w/Cage Dark Green - 4053 | D41546 | \$26.00 |
| V-Assembly Nozzle 21mm w/Cage Aqua - 4053 | D69556 | \$26.00 |
| V-Assembly Nozzle 36mm w/Cage Medium Blue - 4053 | D69557 | \$26.00 |
| V-Assembly Nozzle 32mm w/Cage Purple - 4053 | D77835 | \$26.00 |
| V-Assembly Nozzle 35mm w/Cage Light Green - 4053. | D77836 | \$26.00 |
| Nozzle Body Snap Ring 30mm - EM4007 | D77840 | \$7.61 |
| Nozzle Adapter Collar BDT 8" and 10" | 295100 | \$4.03 |
| Nozzle Body BDT Hamon Thread | 295101 | \$9.33 |
| Nozzle Adapter Collar BDT 12" and 14" | 295102 | \$5.16 |
| Nozzle Body Snap Ring - EM4007 | 295103 | \$5.74 |
| Nozzle #EM4052 3 Legw/Spl Cage N003 | 295104 | \$18.00 |
| Nozzle Adapter Collar BDT#EM4061 6" | 295106 | \$3.72 |
| Nozzle Snap Ring BDT - EM4051 | 295107 | \$3.28 |
| Nozzle Adapter Collar BDT Snap Ring | 295108 | \$3.11 |
| Nozzle Body BDT BDI Threads Uncut | 295109 | \$5.95 |
| Nozzle Body 21mm BDT BDI Aqua - 4053 | 295109-21 | \$7.68 |
| Nozzle Body 23mm BDT BDI Red - 4053 | 295109-23 | \$7.68 |
| Nozzle Body 24mm BDT BDI Brown - 4053 | 295109-24 | \$7.68 |
| Nozzle Body 25mm BDT BDI Pink - 4053 | 295109-25 | \$7.68 |
| Nozzle Body 26mm BDT BDI Medium Orange - 4053 | 295109-26 | \$7.68 |
| Nozzle Body 27mm BDT BDI Violet - 4053 | 295109-27 | \$7.68 |
| Nozzle Body 28mm BDT BDI Maroon - 4053 | 295109-28 | \$7.68 |
| Nozzle Body 29mm BDT BDI Medium Green - 4053 | 295109-29 | \$7.68 |
| Nozzle Body 30mm BDT BDI Dark Blue - 4053 | 295109-30 | \$7.68 |
| Nozzle Body 31mm BDT BDI Grey - 4053 | 295109-31 | \$7.68 |
| Nozzle Body 32mm BDT BDI Purple - 4053 | 295109-32 | \$7.68 |
| Nozzle Body 33mm BDT BDI Light Blue - 4053 | 295109-33 | \$7.68 |
| Nozzle Body 34mm BDT BDI Dark Orange - 4053 | 295109-34 | \$7.68 |
| Nozzle Body 35mm BDT BDI Light Green - 4053 | 295109-35 | \$7.68 |
| Nozzle Body 36mm BDT BDI Medium Blue - 4053 | 295109-36 | \$7.68 |
| Nozzle Body 37mm BDT BDI Yellow - 4053 | 295109-37 | \$7.68 |
| Nozzle Body 38mm BDT BDI Dark Green - 4053 | 295109-38 | \$7.68 |
| Nozzle Extension Coupler BDT - 4054 | 295110 | \$5.17 |



Balcke SF Nozzle Assembly

| Color | Diameter |
|---------------|----------|
| Light Yellow | 20 mm |
| Aqua | 21 mm |
| Tan | 22 mm |
| Red | 23 mm |
| Brown | 24 mm |
| Pink | 25 mm |
| Medium Orange | 26 mm |
| Violet | 27 mm |
| Maroon | 28 mm |
| Medium Green | 29 mm |
| Dark Blue | 30 mm |
| Grey | 31 mm |
| Purple | 32 mm |
| Light Blue | 33 mm |
| Dark Orange | 34 mm |
| Light Green | 35 mm |
| Medium Blue | 36 mm |
| Yellow | 37 mm |
| Dark Green | 38 mm |
| White | 39 mm |

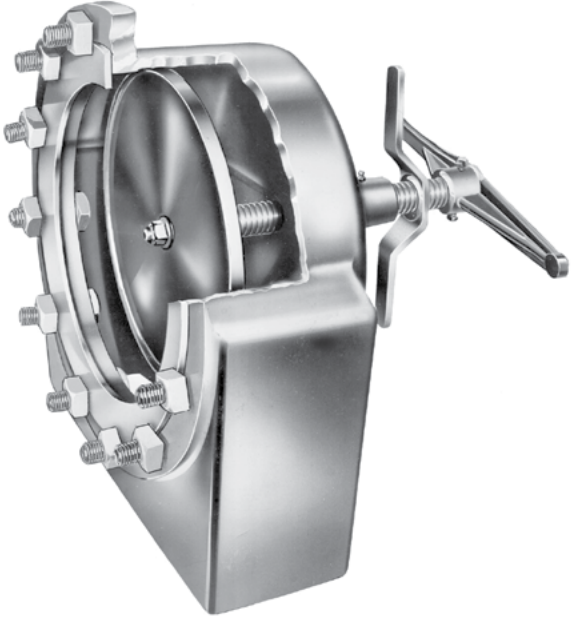
Balcke Nozzle Chart

Marley Horizontal Control Valve

Effective June 5th 2024

| Marley HC (Horizontal Control) Valve | |
|--------------------------------------|------------|
| Product | List Price |
| 8" Valve Standard Outlet HC 08-11 | \$1,655 |
| 10" Valve Standard Outlet HC 10-11 | \$1,862 |
| 12" Valve Standard Outlet HC 12-11 | \$2,228 |
| 14" Valve Standard Outlet HC 14-11 | \$2,407 |
| 16" Valve Standard Outlet HC 16-11 | \$2,829 |
| 18" Valve Standard Outlet HC 18-11 | \$3,300 |
| 20" Valve Standard Outlet HC 20-11 | \$3,637 |

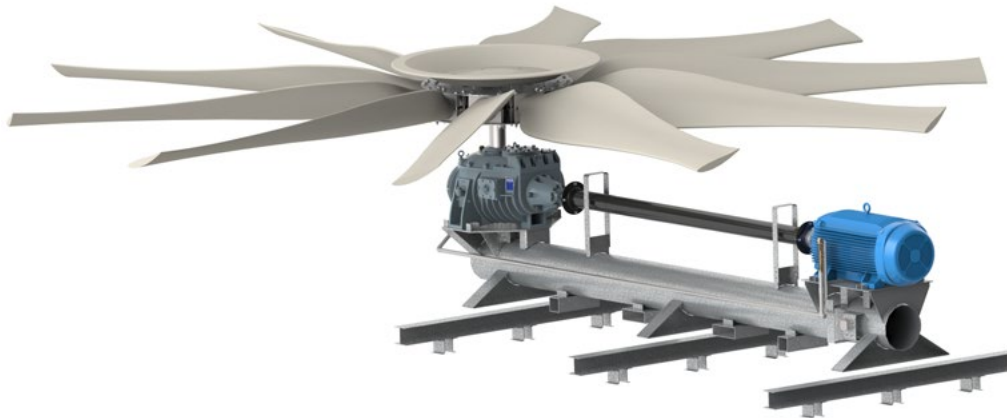
| Marley HC Valve Gasket | |
|------------------------|------------|
| Product | List Price |
| 8" | \$48 |
| 10" | \$56 |
| 12" | \$164 |
| 14" | \$175 |
| 16" | \$171 |
| 18" | \$180 |
| 20" | \$183 |



Marley HC Valve [read more](#)

Torque Tube - Oil Line - I Beams

Effective June 5th 2024



| Torque Tube notes 1 through 5 | | | | | Oil Lines note 8 | |
|-------------------------------|-------------------------|-------------------------------|------------------|----------------------------|-------------------------------|----------------------------|
| Fan Diameter in | Torque Tube Diameter in | Hot Dip Galvanized List Price | Triple Epoxy Add | 300 Series Stainless Steel | Hot Dip Galvanized List Price | 300 Series Stainless Steel |
| 192 | 12 | \$7,942 | \$2,900 | contact SPX | contact SPX | \$1,325.50 |
| 216 | 12 | \$8,473 | \$2,900 | contact SPX | contact SPX | \$1,421.20 |
| 240 | 12 | \$9,051 | \$2,900 | contact SPX | contact SPX | \$1,452.00 |
| 264 | 16 | \$10,579 | \$2,900 | contact SPX | contact SPX | \$1,505.90 |
| 288 | 16 | \$11,447 | \$2,900 | contact SPX | contact SPX | \$1,536.70 |
| 312 | 16 | \$13,087 | \$2,900 | contact SPX | contact SPX | \$1,595.00 |
| 336 | 16 | \$13,859 | \$3,250 | contact SPX | contact SPX | \$1,632.40 |
| 360 | 16 | \$16,785 | \$3,250 | contact SPX | contact SPX | \$1,666.50 |
| 384 | 16 | \$17,460 | \$3,250 | contact SPX | contact SPX | \$1,699.50 |
| 394 | 16 | \$18,183 | \$3,250 | contact SPX | contact SPX | \$1,827.10 |

| I Beams notes 6-7 | | | |
|-------------------|-------------------------------|------------------|---------------------------------------|
| I Beam Count | Hot Dip Galvanized List Price | Triple Epoxy Add | 300 Series Stainless Steel List Price |
| 2 | \$3,473 | \$1,815 | contact SPX |
| 3 | \$4,662 | \$2,730 | contact SPX |
| 4 | \$6,214 | \$3,630 | contact SPX |

| Sight Glass Gauge and Components | | | |
|--|----------------------|-------------|---------------|
| Product | Material | Part Number | List Price ea |
| Sight Glass Gauge | Brass | D22921 | \$474.00 |
| Sight Glass Gauge | 316 Stainless Steel | D22922 | \$587.00 |
| Gauge Placard | 300S Stainless Steel | A81911 | \$40.00 |
| Required Hardware for Placard Installation | Screw (2 rqd) | A08277 | \$5.17 |
| | Washer (2 rqd) | 276717 | \$0.01 |
| | Lock Washer (2 rqd) | 289983 | \$0.07 |

Note

- Scope includes: Mechanical equipment support (torque tube) with attaching hardware, driveshaft guards, Geareducer supports, motor supports and attaching hardware. Specify material finish, fan diameter, motor frame size, and Geareducer model. I beams not included. Priced per assembly.
- For 16" diameter tubes: Tubes are SCH 10 steel pipe, ASTM A53 Grade B carbon steel, galvanized. Corresponding mechanical tie-down beams are rolled structural steel, W6x15 shape, ASTM A992 carbon steel, galvanized.
- For 10" and 12" diameter torque tubes: Tubes are SCH 30 steel I pipe, ASTM A53 Grade B carbon steel, galvanized. Corresponding mechanical tie-down beams are rolled structural steel, W8x24 shape, ASTM A992 carbon steel, galvanized.
- Contact SPX Cooling Technologies for lead time.
- Mechanical support pricing assumes a Marley design and is intended to be replacement for originally designed Marley cooling tower equipment. Other designs may be available, price may vary. Please contact SPX Cooling Technologies to confirm pricing.
- Scope includes: I Beam tie downs for mechanical equipment support with attaching hardware and angles. Price includes I Beams. Specify count and material finish.
- I Beams and mechanical tie-down beams are rolled structural steel, W6x15 shape, ASTM A992 carbon steel, galvanized.
- Scope includes: S300 line, rubber flex hose, and brass sight glass gauge. Plastic vent also included.



Cooling Tower Motor

Effective June 5th 2024

| Cooling Tower Electric Motor note 1 | | | |
|-------------------------------------|-------------------|------------|------------------------|
| Standard Single-Speed | | | |
| Phase/HZ/Volt/RPM - SF | Horsepower Rating | List Price | Shaft Grounding Device |
| 3/60/460/1800 - 1.15 | 40 | \$4,427 | \$538 |
| | 50 | \$4,997 | \$538 |
| | 60 | \$7,656 | \$538 |
| | 75 | \$9,571 | \$556 |
| | 100 | \$12,096 | \$556 |
| | 125 | \$14,524 | \$772 |
| | 150 | \$10,350 | \$772 |
| | 200 | \$12,931 | \$772 |
| | 250 | \$17,017 | \$772 |
| | 300 | \$27,832 | \$772 |

| Cooling Tower Electric Motor note 1 | | |
|-------------------------------------|-------------------|------------|
| Standard Two-Speed | | |
| Phase/HZ/Volt/RPM - SF | Horsepower Rating | List Price |
| 3/60/460/(1800-900) - 1.15 | 40 | \$5,906 |
| | 50 | \$8,125 |
| | 60 | \$11,686 |
| | 75 | \$15,124 |
| | 100 | \$17,432 |
| | 125 | \$24,971 |
| | 150 | \$22,143 |
| | 200 | \$29,903 |
| | 250 | \$41,334 |
| | 300 | \$49,337 |

| Options – Add | |
|------------------------------|---------|
| Triple Epoxy - Add | \$1,838 |
| Routing Testing Report - Add | \$504 |



Note

1. Prices are for Marley cooling tower duty motors that are designed specifically for the cooling tower environment.
2. Pricing is for SPX Cooling Technologies chosen suppliers, per Marley specifications.
3. Pricing for 460V and standard frame size for given power/speed. Contact SPX for other voltages.

Market Definitions

Effective June 5th 2024

| Market | Application | Market | Application | |
|-----------------------------|--|------------------|-----------------------------------|------------|
| HVAC | Amusement | Light Industrial | Aerospace | |
| | Data Center | | Automotive | |
| | Food Distribution Warehouse | | Brewery | |
| | Garages and Service Stations | | Electronics | |
| | Government and Public Buildings | | Food - Excluding Heavy Food | |
| | Hospitals and Health Treatment | | General Manufacturing | |
| | Hotels and Motels | | Laboratories (Manufacturer Owned) | |
| | Laboratories (Government Owned) | | Metals -Bending and Forming | |
| | Laboratories (Independently Owned) | | Pharmaceuticals | |
| | Libraries and Museums | | Plastics | |
| | Multi-Family Housing | | Rubber | |
| | Multi-Family Complex (Shopping and Housing) | | Semiconductors | |
| | Office and Bank Buildings | | Textiles | |
| | Print Production Center | | Warehouse (Manufacturer Owned) | |
| | Public Schools and Colleges | | Heavy Industrial | Bio-Fuels |
| | Religious | | | Chemical |
| | Retail Distribution Warehouse | | | Concrete |
| | Retail Space | | | Fertilizer |
| | Retail Stores and Food Service | | | Glass |
| | Schools and Colleges | Grain Processing | | |
| Single Family Housing | Heavy Food - Orange, Sugar, Tomato, Vegetable Oils | | | |
| Bio-Fueled Power Generation | Industrial Gases | | | |
| Coal-Fired Power Generation | LNG-Liquefied Natural Gas | | | |
| Co-generation | Metals-Forging | | | |
| Gas-Fired Power Generation | Metals and Mining | | | |
| Geothermal Power Generation | Natural Gas Production and Distribution | | | |
| Nuclear Power Generation | Oil Refining | | | |
| Oil-Fired Power Generation | Paper | | | |
| Solar Power Generation | Petrochemical | | | |
| Waste to Energy | | | | |

Parts Policies – Warranty

Minimum Order Value

Customer Purchase \$250.00 minimum order value

Expedite Fees

25% of the customer purchase price.

Applicable for orders that are requested to ship inside the standard lead-time and where SPX incurs additional costs from vendors.

Order Cancellation

Canceled orders are subject to a cancellation charge up to full order value, contingent upon the order cancellation date.

Parts Policies – Warranty cont.

Effective June 5th 2024

Material Return

Material returns must be authorized by SPX and returned within 30 days of delivery. If return is not received, return credit will be canceled. Return form must be completed and sent back with the product.

SPX Parts Warehouse (Chesterfield, MO) – a minimum 10% restocking fee will apply only if material is returned without damage and in “like-new” condition.

All other plants and vendors – a minimum 25% restocking fee will apply only if material is returned without damage and in “like-new” condition.

Return freight will be the responsibility of the customer.

SPX reserves the right not to approve a return if material cannot be utilized on future orders.

Delivery Requirements

All orders require at least a 24-hour contact name and phone number for delivery arrangements and orders requiring customs clearance. (E-mail addresses or fax numbers are not acceptable).

Advise of any scheduled shut down dates at time of order entry (QTC notes).

Inspect delivered material for any discrepancies Mark up your BOL and notify SPX immediately.

Consolidation Fee

Contact SPX for Consolidation quote.

\$100 minimum fee will be applicable for any consolidations.

Additional charges for volume and duration of storage will apply.

Credit Card Orders

Customer Credit card information to Gregg.Maupin@spx.ct.com. (Ref. SPX order number on E-mail).

SPX Accepts: Visa or MasterCard

3% fee will be added to your invoice for credit card use.

Warranty

SPX Cooling Tech, LLC (“SPX Cooling”) warrants that all apparatus and equipment furnished on this repair or replacement order, will be free from defects in materials and workmanship for a period of (12) months from date of shipment by SPX Cooling to the original installation.

The obligation under this warranty is limited to the repair or the replacement of defective materials, at SPX Cooling’s option, F.O.B. original shipping point or EXWORKS plant. Warranty on repaired or replaced equipment will be for the time remaining under the terms of the original warranty. This warranty is not transferable.

This warranty does not obligate SPX Cooling to bear the cost of labor, transportation charges, or other costs incurred in connection with the repair or replacement of defective parts; nor does this warranty apply to normal wear and tear nor to damage resulting from operation not conforming with the Marley operation and maintenance instructions, accident, alteration, misuse or an abnormally corrosive or abrasive use environment.

SPX Cooling’s total liability for damages related to the performance of or failure to perform shall be limited to the amount of the contract price and in no event shall either party hereto be responsible or held liable to the other for any special, punitive, indirect, incidental, or consequential damages.

The above warranties are in lieu of all other warranties expressed or implied, and all implied warranties of merchantability and fitness for a particular purpose are hereby disclaimed and excluded from this agreement.

Terms and Conditions

Effective June 5th 2024

1. ACCEPTANCE AND GOVERNING PROVISIONS. Orders shall be binding upon Seller when accepted in writing by an authorized representative of Seller. SELLER'S ACCEPTANCE OF BUYER'S ORDER IS CONDITIONED UPON BUYER'S ACCEPTANCE OF THE TERMS AND CONDITIONS SET FORTH HEREIN (THE "TERMS") AND BUYER'S AGREEMENT TO BE BOUND BY AND COMPLY WITH THESE TERMS. THESE TERMS, THE TERMS ON THE FACE OF THIS DOCUMENT, AND ALL REFERENCED ATTACHMENTS CONSTITUTE THE ENTIRE AGREEMENT BETWEEN BUYER AND SELLER, AND NO AMENDMENT OR MODIFICATION SHALL BE BINDING ON SELLER UNLESS SIGNED BY AN OFFICER OR AUTHORIZED EMPLOYEE OF SELLER. THE FAILURE OF SELLER TO OBJECT TO PROVISIONS CONTAINED IN ANY PURCHASE ORDER OR OTHER DOCUMENT OF BUYER SHALL NOT BE CONSTRUED AS A WAIVER BY SELLER OF THESE TERMS OR AN ACCEPTANCE OF ANY OF BUYER'S PROVISIONS. ANY CONFLICTING OR ADDITIONAL TERMS OR CONDITIONS SET FORTH BY BUYER IN A PURCHASE ORDER OR OTHER DOCUMENT SHALL NOT BE BINDING UPON SELLER, AND SELLER HEREBY EXPRESSLY OBJECTS THERETO.

2. LIMITED WARRANTY.

(a) Seller warrants to Buyer that the goods manufactured by Seller will be free from defects in material and workmanship and any services performed by Seller will be in accordance with the specifications of Seller's proposal and appropriate industry standards, as more particularly set forth in Seller's Certificate of Limited Warranty ("Warranty Certificate"), as attached hereto and incorporated herein.

(b) Refer to the applicable Warranty Certificate for specific product coverage.

(c) If within such period Buyer gives Seller immediate notice of the discovery of any such defects, and it shall be proven to Seller's reasonable satisfaction that any goods are defective or any services are nonconforming, such goods shall, at Seller's option, be repaired or replaced (F.O.B. Seller's factory, with all removal and installation to be at Buyer's expense unless Buyer has paid for labor to be included in the warranty to be provided) and such services corrected or a substitute obtained.

(d) Warranty on repaired or replaced equipment will be for the time remaining under the terms of the original warranty.

(e) Seller warrants that all services or goods performed, produced, and furnished hereunder will comply with all applicable federal, state, and local laws, regulations, rules and ordinances.

(a) THE FOREGOING WARRANTIES STATE SELLER'S ENTIRE WARRANTY (EXCEPT TITLE) AND BUYER'S SOLE AND EXCLUSIVE REMEDY RELATED TO SUCH GOODS AND SERVICES. EXCEPT AS EXPRESSLY SET FORTH ABOVE, SELLER MAKES NO WARRANTY OF ANY KIND WHATSOEVER, AND SELLER EXPRESSLY DISCLAIMS ANY WARRANTIES IMPLIED BY LAW, INCLUDING, BUT NOT LIMITED TO, ANY WARRANTY OF MERCHANTABILITY OR FITNESS FOR A PARTICULAR PURPOSE.

(b) THIS WARRANTY SHALL NOT APPLY TO ANY LOSS OR DAMAGE RESULTING FROM: (i) NORMAL WEAR AND TEAR; (ii) ALTERATION, MISUSE, ABUSE, OR IMPROPER INSTALLATION BY BUYER, POWER FAILURES, OPERATION OR MAINTENANCE BY BUYER OR A THIRD PARTY; (iii) ACCIDENT, FIRE, FLOOD, OR ACTS OF GOD; OR (iv) INACCURATE OR INCOMPLETE INFORMATION OR DATA SUPPLIED OR APPROVED BY BUYER.

3. LIMITATION OF LIABILITY. SELLER SHALL NOT BE LIABLE UNDER ANY THEORY OF RELIEF, INCLUDING, WITHOUT LIMITATION, BREACH OF WARRANTY, BREACH OF CONTRACT, TORT (INCLUDING NEGLIGENCE), STRICT LIABILITY, OR OTHERWISE, ARISING OUT OF OR RELATED TO AN ORDER OR SELLER'S ACTS OR OMISSIONS FOR ANY INCIDENTAL, SPECIAL, CONSEQUENTIAL, PUNITIVE, EXEMPLARY, OR LIQUIDATED DAMAGES OF ANY NATURE, INCLUDING, WITHOUT LIMITATION, LOSS OF ANTICIPATED PROFITS OR REVENUES, DAMAGE TO PROPERTY, OR LOSS OF USE. SELLER'S ENTIRE LIABILITY FOR DIRECT DAMAGES RESULTING FROM ANY PERFORMANCE OR FAILURE TO PERFORM, DELAY, BREACH OF CONTRACT, BREACH OF WARRANTY, IMPLIED INDEMNITY OR OTHERWISE UNDER THIS AGREEMENT SHALL NOT EXCEED THE PURCHASE PRICE ACTUALLY PAID BY BUYER TO SELLER. IN ADDITION, IN NO EVENT SHALL SELLER BE LIABLE FOR ANY DAMAGES IF AND TO THE EXTENT SUCH DAMAGES ARE CAUSED BY THE NEGLIGENCE OF BUYER, THE END USER OF THE GOODS, OR ANY OTHER THIRD PARTY WHICH IS NOT UNDER THE DIRECT CONTROL OF THE SELLER.

4. PATENTS AND TRADEMARKS.

(a) If notified promptly by Buyer in writing and provided with authority, information, and assistance, Seller shall defend and indemnify Buyer, or may at any time settle, at Seller's option, any suit or proceeding alleging that any goods used, designed or sold by Buyer pursuant to Seller's proposal infringe any United States patent or trademark. Seller shall pay any direct damages awarded in such suit or proceeding up to the amount of the depreciated purchase price of the goods. In the event any goods are held to constitute such infringement and the use of the goods is enjoined, Seller shall, at its option and expense: (i) procure for Buyer the right to continue using the goods; (ii) replace the goods with non-infringing goods; (iii) modify the goods so that they become non-infringing; or (iv) remove the goods and return the depreciated purchase price. THE FOREGOING CONSTITUTES THE ENTIRE LIABILITY OF SELLER AND THE SOLE AND EXCLUSIVE REMEDY OF BUYER FOR PATENT OR TRADEMARK INFRINGEMENT RELATED TO THE GOODS.

(b) NOTWITHSTANDING THE FOREGOING, SECTION (a) ABOVE SHALL NOT APPLY TO ANY SUIT OR PROCEEDING ALLEGING INFRINGEMENT RESULTING FROM OR RELATED TO SELLER'S COMPLIANCE WITH THE SPECIFICATIONS OR DESIGN OF BUYER OR THE USE OF THE GOODS OF SELLER IN COMBINATION WITH OTHER GOODS OR MATERIALS. Buyer shall defend and pay any damages awarded in such suit or proceeding described in this subsection (b).

5. DELIVERY AND DELAY.

(a) Unless otherwise agreed to in writing and signed by Seller: (i) goods shall be delivered FOB Seller's Factory (domestic shipments) or FCA Seller's nominated facility (international shipments, not including Canada) (INCOTERMS 2000), Full Freight Allowed to the jobsite (FOR COMPLETE TOWER SHIPMENTS ONLY), with delivery to the initial carrier constituting delivery to Buyer; (ii) title to the goods and all risk of damage or loss shall pass to Buyer upon delivery to the initial carrier; (iii) transportation costs shall be paid by Buyer; and (iv) Buyer shall have sole responsibility for filing any claims with any carrier for delay, loss or damage. FOR CANADA ORDERS, the following shall apply: Title passes to the Buyer at the point of shipment, SPX Olathe Plant. Seller has agreed to and has included in the prices here all costs for transportation to Canada, Customs Clearance and all duties.

(b) Dates of delivery or other performance are estimates and are based on, among other things, timely receipt from Buyer of accurate and complete approved drawings, technical data, a fully executed contract or purchase order, and any necessary documents or information required by Seller's credit department. Seller shall have the right to delay shipment of the goods until all required documents or information have been provided by Buyer, and any other requirements, including the payment of any past due amounts, have been fulfilled. Seller shall not be liable for any delay or resulting expense, loss, damage or liquidated damages for any failure to supply materials, labor or supervision as required because of fire, flood, Acts of God, inclement weather, strikes, labor disputes, riots, thefts, accidents, transportation delays, acts or failure to act of Government, Buyer, Owner or any other third party not under Seller's direct control, or any other cause whatsoever, whether similar or dissimilar to the above, beyond the reasonable control of Seller. In the event of such delay, the time of completion will be subject to equitable adjustment, and any additional costs incurred shall be shared between the parties. Seller shall immediately notify Buyer if it expects a delivery to occur earlier or later than the delivery date requested by Buyer. Any claim for missing parts or other items of the goods must be made within sixty (60) days from the date of delivery.

(a) In the event Buyer has not taken title and possession of the goods within six (6) months from the date of the purchase order, freight costs may be subject to adjustment at Seller's discretion.

6. STORAGE. If Buyer's site is not ready to accept goods on the scheduled delivery date, Seller may store the goods at its facility or any other suitable location until such time as Buyer is ready to receive the goods. Buyer shall be liable for any storage fees as determined by Seller. Buyer accepts all risk of damage or loss while the goods are in transit to storage, in storage, or in transit from storage. Buyer shall be responsible for all handling, transportation and storage costs for such goods while they are in transit to storage, in storage, or in transit from storage.

Terms and Conditions

Effective June 5th 2024

7. CHANGES, SUBSTITUTIONS, AND CANCELLATION.

(a) Any changes requested by Buyer shall be effective upon written acceptance of Seller at Seller's corporate offices. Any changes accepted by Seller which affect the specifications or scope of work of an order shall entitle Seller, as appropriate, to an adjustment to the price, delivery schedule, or other terms affected by such change.

(b) Seller may furnish suitable substitutes for materials unobtainable due to regulations of governmental authorities or unavailability of materials from suppliers.

(c) Buyer may cancel an order, in whole or in part, only with the prior written consent of Seller and upon payment of any applicable cancellation charges. If an accepted order is canceled, in whole or in part, for any reason (except for the gross negligence by Seller), Seller shall be reimbursed for labor and material expended on the order including reasonable overhead and profit. Total charges for cancellation will not exceed the purchase order price.

8. APPROVALS, INSPECTION AND ACCEPTANCE:

(a) Buyer's approval, or failure to disapprove, of drawings submitted hereunder constitutes Buyer's acceptance of equipment design, specifications and other data contained therein.

(b) Inspection of goods at Seller's plant by Buyer, or Buyer's representatives, will be permitted insofar as such inspection does not interfere with Seller's production and provided that complete written details of such inspection are submitted to Seller no less than ten (10) days in advance.

(c) The goods and services shall be deemed accepted, and any claim of Buyer against Seller with respect to an order shall be waived and not enforceable, unless: (i) Buyer has promptly inspected the goods and services, and (ii) written notice from Buyer of any defect has been received by Seller within forty-eight (48) hours of rejection of any equipment inspected upon delivery or performance of any services.

(d) Buyer must give Seller reasonable advance notice and authorization to attend any tests designed to demonstrate that goods or services are defective, and the test conditions are mutually agreed to by Seller and Buyer.

(e) Goods may not be returned without obtaining written authorization and shipping instructions from an authorized representative of Seller.

9. PRICES, PAYMENT AND CREDIT.

(a) Unless other terms have been expressly stated by Seller in writing, Seller's prices: (i) do not include customs, duties, or any domestic or foreign sales, use, excise, or similar taxes under existing or future laws (with Buyer to be charged for same, unless Buyer has provided Seller with an appropriate tax exemption certificate); (ii) are valid for thirty (30) days from the proposal date; (iii) do not include costs for installation of goods; and (iv) do not include costs of any permits, licenses, fees and similar charges required by law or local practice.

(b) Unless otherwise noted on the face hereof, the payment terms shall be one-hundred percent (100%) net thirty (30) days from the date of shipment. Pro-rata payments shall become due with partial shipments of goods or partial delivery of services. Seller shall charge 1 1/2% per month (or such lower percentage as required by applicable law) of the unpaid invoice balance, commencing sixty (60) days following the invoice date.

(c) Seller reserves the right to require cash in advance if, for any reason, Seller reasonably doubts Buyer's financial responsibility.

10. GOODS FOR EXPORT. If the ultimate destination of the goods is outside of the country of origin, Buyer shall provide the ultimate destination country, end-user, and end use on its purchase order or shall complete a U.S. Department of Commerce Form BIS-71 1 (Statement of Ultimate Consignee and Purchaser). In the event that Buyer provides false information to Seller or purchases goods for export without so notifying Seller, Buyer shall have sole liability and shall defend and indemnify Seller for any loss or damage (including without limitation, claims

of governmental authorities) arising from the export from the country of origin or the import into another country of such goods, including, without limitation, those related to packaging, labeling, marking, warranty, contents, use, or documentation of the goods. Buyer shall have sole responsibility for obtaining any required export licenses. Buyer shall neither take, nor solicit Seller to take, any action which would violate any anti-boycott or any export or import statutes or regulations of the United States or other governmental authorities and shall defend and indemnify Seller for any loss or damage arising out of or related to such action. Seller reserves the right to refuse to sell, transfer, assign, or allow for export any goods if, in Seller's reasonable judgment, the goods would be imported into a country in violation of any law, or used in any process in violation of any law.

11. PROPRIETARY INFORMATION. Seller retains title and all intellectual property rights, including, but not limited to, any patent, trademark, copyright, trade secret or otherwise to all engineering and production prints, drawings, technical data, and other information and documents that relate to the goods and services sold to Buyer. Unless advised by Seller in writing to the contrary, all such information and documents disclosed or delivered by Seller to Buyer are to be deemed proprietary to Seller and shall be used by Buyer solely for the purpose of inspection, installation, and maintenance and not used by Buyer for any other purpose.

12. COMPLIANCE WITH LAWS. All goods manufactured and services performed hereunder shall be in compliance with all applicable state and federal laws, rules, regulations, standards and codes including, but not limited to, the Fair Labor Standards Act, occupational health and safety laws and applicable provisions relating to obligations of government contractors and subcontractors, including 41 CFR 60-1, et. seq. (including the reporting, record keeping and affirmative action program requirements) incorporating the Equal Opportunity Clause of Executive Order 11246, the maintenance of nonsegregated facilities, the Vietnam Era Veteran's Readjustment Act of 1974, The Rehabilitation Act of 1973 and Executive Order 11701 relating to the employment of veterans.

13. CONFLICT MINERALS. Seller shall comply with Section 1502 of the Dodd-Frank Act (the "Conflict Minerals Law") relating to goods that contain tantalum, tin, tungsten or gold that directly or indirectly finance or benefit armed groups in the Democratic Republic of Congo or the nine adjoining conflict countries, Angola, Burundi, Central African Republic, the Republic of the Congo, Rwanda, South Sudan, Tanzania, Uganda, and Zambia ("Conflict Minerals"). Seller shall promptly and accurately complete surveys and certifications requested by Buyer related to Conflict Minerals. Seller will inform Buyer (a) whether Conflict Minerals are known to be present in any goods provided by Seller to Buyer or whether it is "indeterminable" that Conflict Minerals are present in any goods provided by Seller to Buyer, and (b) at the request of Buyer, the status of Seller's policies and procedures relating to compliance with the Conflict Mineral Law. Upon reasonable notice, Buyer shall be permitted to audit such records as reasonably necessary to confirm Seller's compliance with this Article.

14. MISCELLANEOUS. All rights and remedies of each of the parties under these Terms are in addition to its rights at law and in equity, except where specifically disclaimed. Any delegation or assignment by Buyer of any of its responsibilities or rights hereunder without Seller's prior written consent, shall be void. The validity, performance, and interpretation of this document and any referenced attachment thereto shall be governed by the law of the state of Kansas, U.S.A. It is expressly agreed that the United Nations Convention on Contracts for the International Sale of Goods will not apply to this agreement. The invalidity or illegality of any provision of these Terms shall not render invalid or illegal any other provision therein. Seller's failure at any time to require performance by Buyer of any of these Terms shall not serve as a waiver or diminish Seller's right to demand strict compliance with such provision or with other of the Terms.

Parts Price Catalog

JUNE 2024

SPX COOLING TECH, LLC

7401 WEST 129 STREET
OVERLAND PARK, KS 66213 USA
913 664 7400 | spxcooling@spx.com
spxcooling.com

FEPPARTS-24A | ISSUED 09/2024

©2017- 2024 SPX COOLING TECHNOLOGIES, INC. ALL RIGHTS RESERVED

In the interest of technological progress, all products are subject to design and/or material change without notice.

