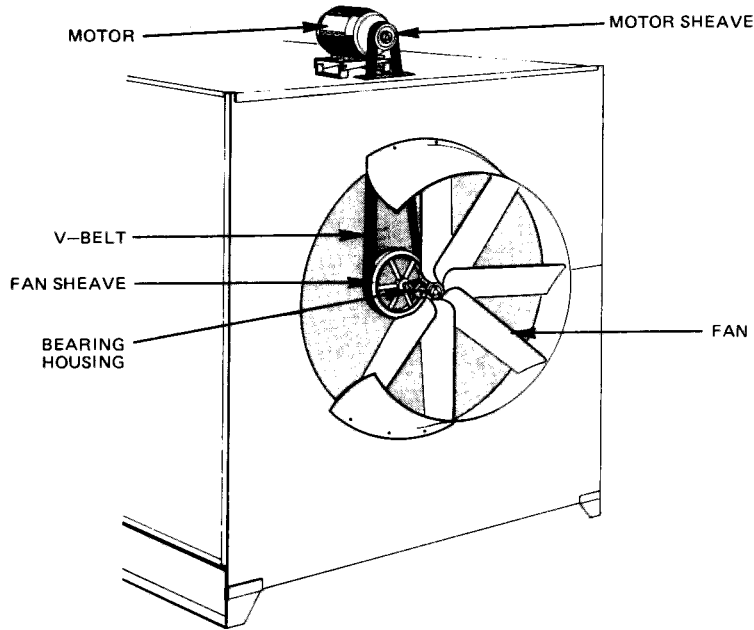


47000 SUPER AQUATOWER PARTS LIST



ITEM	DESCRIPTION OF PARTS			47000 WITH HORIZ. DISCHRG.				47000 WITH VERT. DISCHRG.			
				47100	47125	47150	47175	47100	47150	47125	47175
1	MOTOR										
	5 H.P. PROTECTED			1							
	7½ H.P. PROTECTED				1	1	1				
	7½ H.P. TEFC							1			
10 H.P. TEFC								1	1	1	
2	MOTOR SHEAVE BORE DIA. KEYWAY										
	BROWNING 2TB58 1-1/8 1/4 x 1/8			1							
	BROWNING 2TB64 1-3/8 5/16 x 5/32							1			
	BROWNING 2TB52 1-3/8 5/16 x 5/32				1						
	BROWNING 2TB50 1-3/8 5/16 x 5/32					1					
	BROWNING 2TB56 1-3/8 5/16 x 5/32								1	1	
	BROWNING 2TB68 1-3/8 5/16 x 5/32							1			
	BROWNING 2TB74 1-3/8 5/16 x 5/32						1				
3	FAN SHEAVE BORE DIA. KEYWAY										
	BROWNING 2TB160 1-1/4 1/4 x 1/8			1							
	BROWNING 2TB154 1-1/4 1/4 x 1/8							1			
	BROWNING 2TB160 1-1/4 1/4 x 1/8				1						
	BROWNING 2TB184 1-1/4 1/4 x 1/8								1		
	BROWNING 2TB200 1-1/4 1/4 x 1/8					1				1	1
BROWNING 2TB300 1-1/4 1/4 x 1/8						1					
4	FAN BORE DIA. KEYWAY										
	AIR TURBINE 48" DIA. Y-48-11 1-1/4 1/4 x 1/16			1				1			
	AIR TURBINE 54" DIA. Y-54-11 1-1/4 1/4 x 1/8				1				1		
	AIR TURBINE 66" DIA. Y-66-11 1-1/4 1/4 x 1/8					1	1			1	1
5	V-BELT										
	2GBB120			1				1			
	2GBB144				1	1				1	1
	2BGG148								1		
	2GBB162						1				
6	BEARING HOUSING										
	NO. 118 INCLUDING SHAFT AND BEARINGS — 76-42159-2			1	1	1	1	1	1	1	1
7	FLOAT VALVE ASSEMBLY (NOT ILLUSTRATED)										
	MARLEY 1-1/4" DIA. WITH ROUND PLASTIC FLOAT			1	1	1	1	1	1	1	1