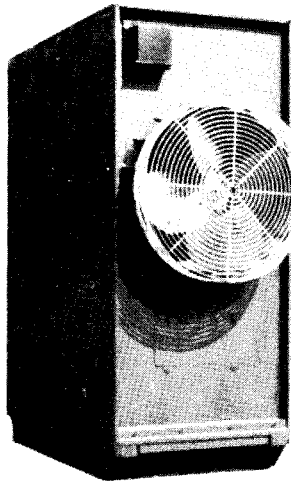


### 5900 SERIES PERMATOWER PARTS LIST

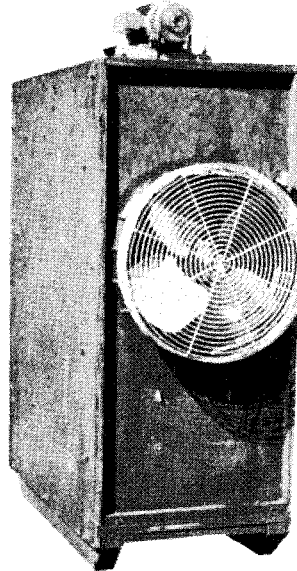
for

Models 5913, 5915, 5917, 5919R, 5921R, 5923R, 5925R, 5927R,  
5929R, 5931R, 5933R, 5935R, 5937R

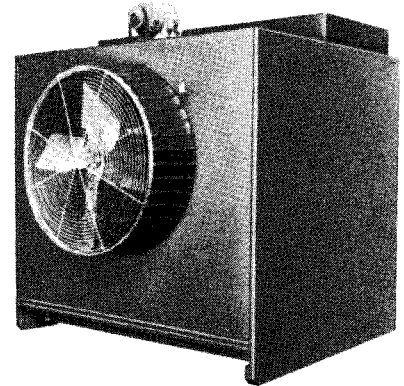
(SEE ITEMIZED PARTS LIST ON REVERSE SIDE)



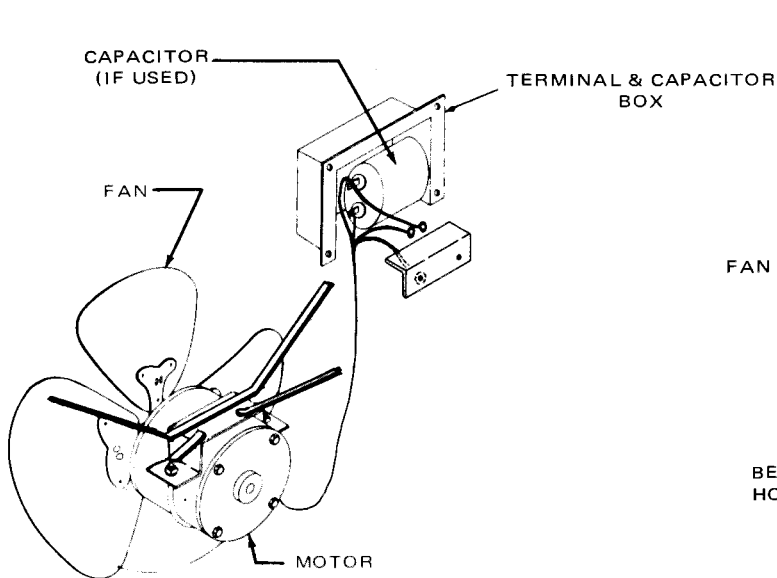
Models  
5913 through 5917



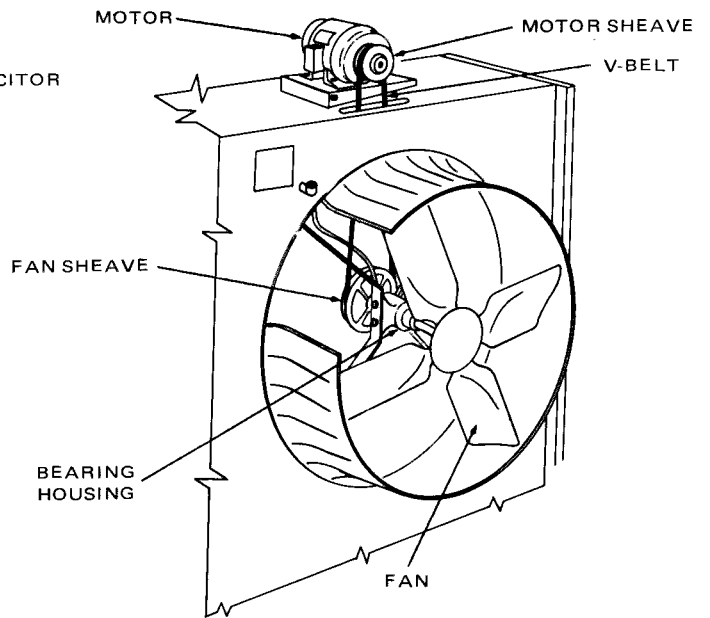
Model  
5919R



Models  
5921R through 5937R



*Mechanical Equipment*



*Mechanical Equipment*

**IMPORTANT** – The SERIAL and MODEL NUMBERS of tower MUST be provided when ordering parts

**PERMATOWER PARTS LIST**

REF.	DESCRIPTION OF PARTS	MODELS QUANTITIES												
		5913	5915	5917	5919R	5921R	5923R	5925R	5927R	5929R	5931R	5933R	5935R	5937R
1	MOTOR***													
	1/2 Hp, 1675 RPM Split Capacitor TEAO*	1	1											
	1 Hp, 1140 RPM TEAO*			1										
	1 Hp, 1740 RPM Drip Proof				1	1	1							
	2 Hp, 1730 RPM Drip Proof							1	1	1				
	3 Hp, 1740 RPM Drip Proof										1			
	5 Hp, 1740 RPM Drip Proof											1	1	
7 1/2 Hp, 1750 RPM Drip Proof													1	
2	MOTOR SHEAVE – CHROME PLATED KEYWAY													
	Browning ITA-58, with "PI" Bushing 7/8 Bore 3/16 x 3/32				1									
	Browning AK-56, 7/8 Bore 3/16 x 3/32					1								
	Browning ITA-54, with "PI" Bushing 7/8 Bore 3/16 x 3/32						1			1				
	Browning AK-54, 7/8 Bore 3/16 x 3/32							1	1					
	Browning ITB-58, with "PI" Bushing 1 1/8 Bore 1/4 x 1/8										1			
	Browning ITB-68, with "PI" Bushing 1 1/8 Bore 1/4 x 1/8											1		
	Browning ITB-70, with "PI" Bushing 1 1/8 Bore 1/4 x 1/8												1	
Browning 2BK-62H, with "H" Bushing 1 3/8 Bore 5/16 x 1/16													1	
3	FAN SHEAVE													
	Browning AK-94, 3/4 Bore 3/16 x 3/32				1									
	Browning AK-114, 3/4 Bore 3/16 x 3/32					1		1	1					
	Browning AK-154, 3/4 Bore 3/16 x 3/32						1							
	Browning BK-190, 1 1/4 Bore 1/4 x 1/8										1	1	1	
	Browning AK-124, 3/4 Bore 3/16 x 3/32									1				
	Browning 2BK-160H, with "H" Bushing 1 1/4 Bore 1/4 x 1/16													1
4	V-BELT													
	Browning A-88				1									
	Browning A-85					1		1						
	Browning A-110								1	1				
	Browning A-93						1							
	Browning B-120										1	1		
	Browning B-124												1	
Browning 2B-116													1	
5	Fan** Torrington Bore Dia. KEYWAY													
	18" Dia. N-1823-3 1/2"	1												
	18" Dia. N-1826-3 1/2"		1											
	22" Dia. N-2236-4 1/2"			1										
	22" Dia. N-2240-4 3/4" 3/16 x 3/32				1									
	30" Dia. R-3027-4 with "H" Bushing 3/4" 3/16 x 3/32					1								
	36" Dia. R-3627-4 with "H" Bushing 3/4" 3/16 x 3/32						1	1	1	1				
	48" Dia. R-4827-4 with "H" Bushing 1 1/4" 1/4 x 1/16										1	1	1	
48" Dia. R-4840-4 with "H" Bushing 1 1/4" 1/4 x 1/16													1	
6	BEARING HOUSING													
	Including shaft and bearings 70-3216-1										1	1	1	1
	Bearings only (2 req'd) Timken Cone LM67048 Cup LM67010													
	Oil seals only (2 req'd) per E.S. 45001													
	Including shaft and bearings 6-3493-3				1	1	1	1	1	1				
	Bearings only (2 req'd) 52-155													
Oil Seals only (2 req'd) SS-5166														
7	FLOAT VALVE ASSEMBLY													
	3/8" Flippen with ball and 8" rod	1	1	1	1	1								
	1/2" Flippen with ball and 8" rod						1	1	1					
3/4" Flippen with ball and 10" rod									1	1	1	1	1	

\*\*\* 1 Hp and Up are (standard as) 3 phase motors, but available in single phase

\*\* 18" and 22" Dia. Fans have hubs on inlet side – All others are on outlet side of fan

\* These motors include remote mounted capacitor (special single phase only for 1 Hp) as noted below:

MOTOR (60 HERTZ)	CAPACITOR (MARATHON)	CAPACITOR (CENTURY)
1/2 Hp, 115 Volt Motor	Capacitor 7.5 Mfd 370 Volt Minimum	Capacitor 7.5 Mfd 370 Volt Minimum
1/2 Hp, 230 Volt Motor	Capacitor 7.5 Mfd 370 Volt Minimum	Capacitor 5 Mfd 370 Volt Minimum
1 Hp, 115 Volt Motor		Capacitor 15 Mfd 370 Volt Minimum
1 Hp, 230 Volt Motor		Capacitor 8 Mfd 370 Volt Minimum