

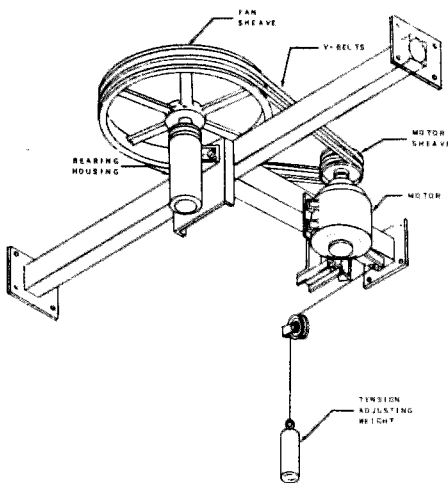
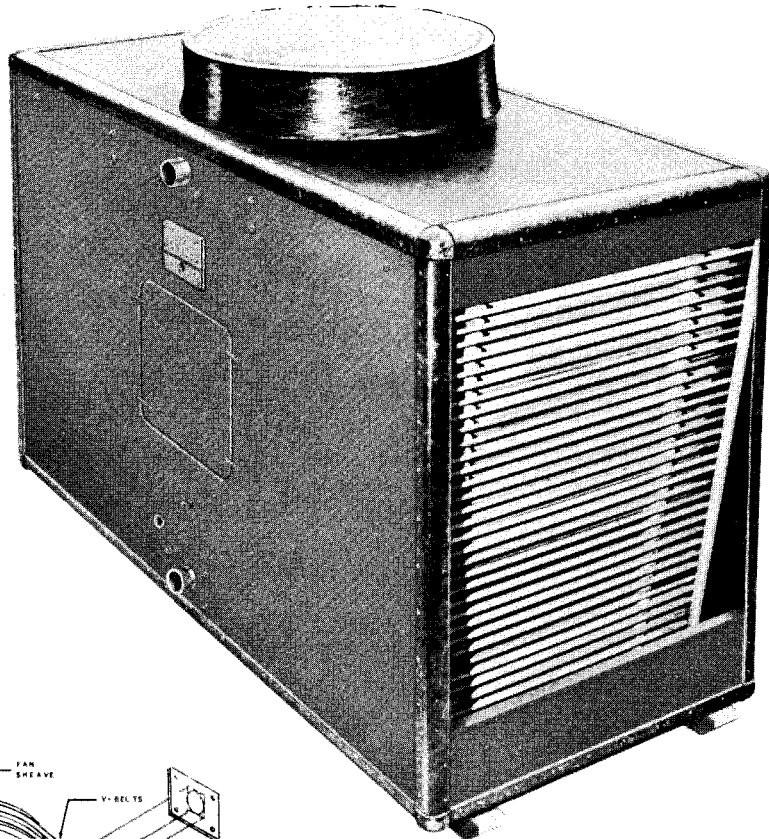


PERMATOWER PARTS LIST

for

Models 5805, 5808, 5810, 5815, 5820, 5825, 5830, 5840, 5850, 5860 and 5875

(SEE ITEMIZED PARTS LIST ON REVERSE SIDE)



Mechanical Equipment - Typical Models 5815 thru 5875
Note: Number of V-Belts will vary with model size.



IMPORTANT -- The SERIAL and MODEL NUMBERS of tower MUST be provided when ordering parts.

THE MARLEY COMPANY, KANSAS CITY, MISSOURI

MANUAL 92-1405

PERMATOWER PARTS LIST

Ref. No.	DESCRIPTION OF PARTS	MODELS - Quantities Used										
		5805	5808	5810	5815	5820	5825	5830	5840	5850	5860	5875
1	MOTOR 1/6 Hp, 1075 RPM 1/4 Hp, 825 RPM .70 HP, 1750 RPM 1.20 Hp, 1750 RPM 1.40 Hp, 1750 RPM 1.70 Hp, 1750 RPM 2.40 Hp, 1750 RPM 2.60 Hp, 1750 RPM 3.70 Hp, 1750 RPM	1	1	1	1	1	1	1	1	1	1	1
	These are special Totally Enclosed Air- Over motors. Replace- ments should be obtained only from The Marley Company. Furnish motor name plate data.											
2	FANS 18" Dia., Type E 24" Dia., Type E 30" Dia., Type L 42" Dia., Type L 54" Dia., Type H-3	1	1	1	1	1	1	1	1	1	1	
	53-2565-12 53-2565-13 55-31144-1 55-31146-1 6-8454-1											
3	FLOAT VALVE ASSEMBLY 1/2" Flippen 3/4" Flippen	1	1	1	1	1	1	1	1	1	1	
4	SERIES 15 BEARING HOUSING WITH SHAFT ASSEMBLY 8-321-2				1	1	1	1	1	1		
5	SERIES 19 BEARING HOUSING WITH SHAFT ASSEMBLY 1-3150-1									1	1	
6	FAN SHEAVE 11.0" PD, 3/4" Bore, Worth BC-114 13.6" PD, 3/4" Bore, Worth BC-140 15.0" PD, 3/4" Bore, Brown 2AK-154 20.0" PD, 1-3/8" Bore, Qi Bushing, Brown 2TB-200				1	1	1	1	1	1	1	
7	MOTOR SHEAVES 4.1" PD, 5/8" Bore, Brown EK-47 5.8" PD, 5/8" Bore, Worth BC-62 4.4" PD, 5/8" Bore, Worth D4520 4.6" PD, 7/8" Bore, Worth D4540 5.0" PD, 7/8" Bore, Brown 2AK-54 5.6" PD, 7/8" Bore, Worth D4640 7.4" PD, 7/8" Bore, Worth D4780 7.4" PD, 1-1/8" Bore, Worth D4780				1	1	1	1	1	1	1	
8	V-BELTS 49.8 PL, B-48 56.8 PL, B-55 63.3 PL, 2A-62 65.3 PL, 2A-64 67.3 PL, 2A-66 82.8 PL, 2B-81				1	1	1*	1*	1*	1*	1*	

*1 set of 2 matched belts required.