

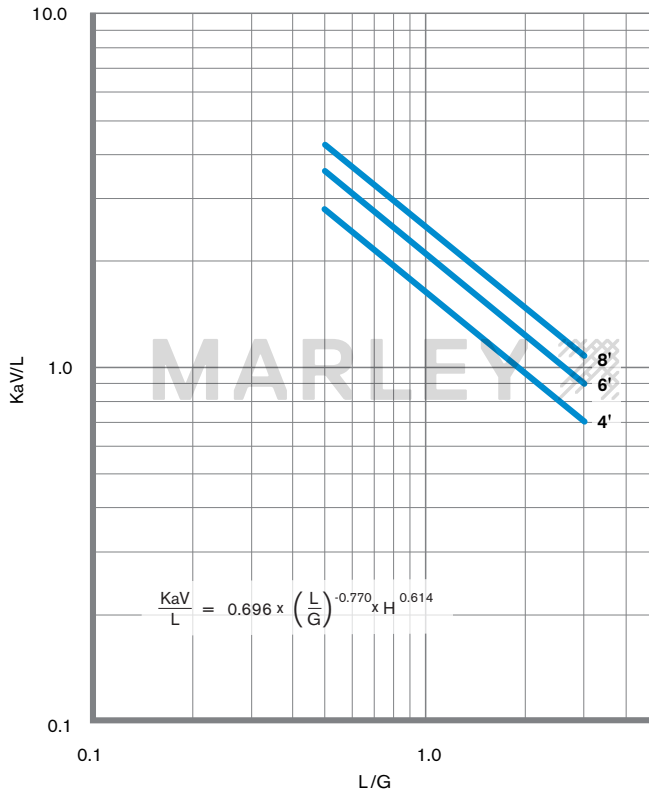
Marley MVC20 fill combines properties related to a fill pack's ability to allow substances to migrate through it, while maintaining thermal efficiency.

- Bottom support low-clog log fill configuration
- Each module consists of vertically channeled flat and corrugated surfaces, which essentially avoids contact between the sheets, thus eliminating water concentration
- The horizontal corrugations and their location within the sheet promote optimum mixing of air and water
- The flutes are vertically and aerodynamically shaped resulting in a reduction of pressure drop
- The sheets are bonded to form modules which can be dimensioned to fit any application
- Thermoformed from .015" thick, UV inhibited, chemically-resistant PVC (polyvinyl chloride)
- Flame spread rating is less than 25 per ASTM E-84 and is considered self-extinguishing

MVC20 is now available worldwide for any counterflow cooling tower, regardless of a cooling tower's age, design or manufacturer.

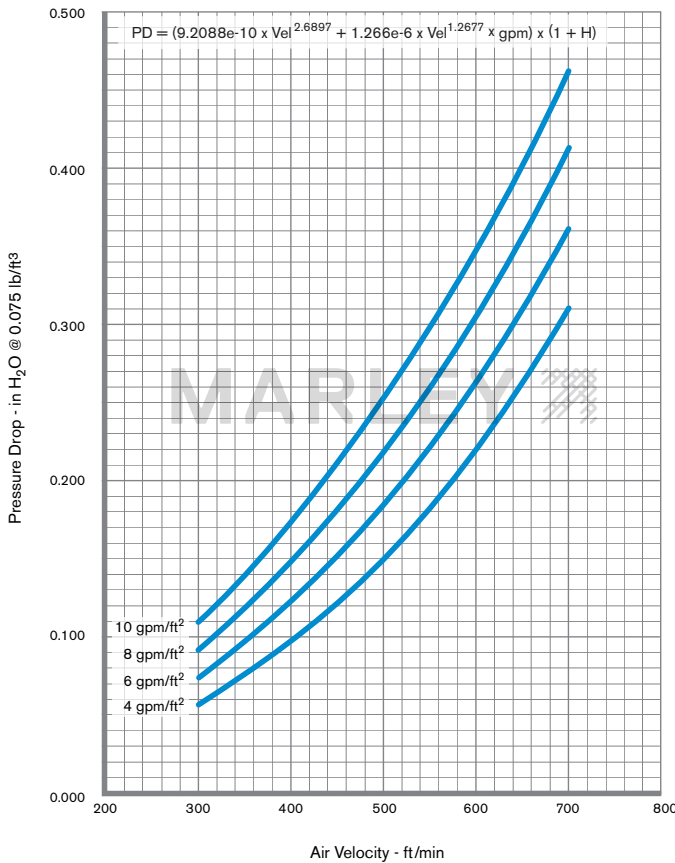
Contact your nearest Marley sales representative for more information. To locate your Marley sales representative call SPX Cooling Technologies at 800 462 7539 or at [spxcooling.com/relocator](http://spxcooling.com/relocator)

# Marley MVC20 Film Fill

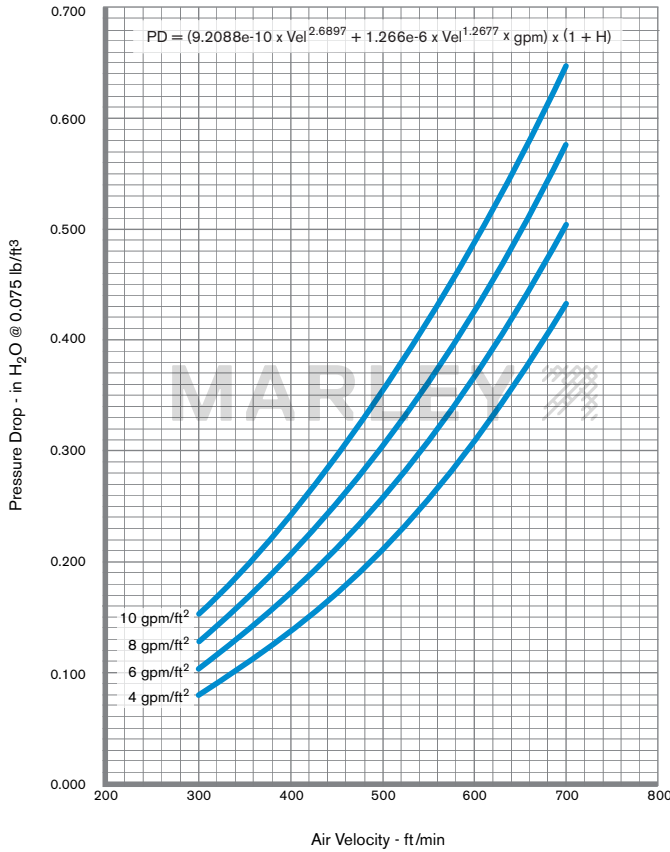


**KaV/L**

**Note** – Data is based on testing in a controlled environment with properly seasoned fill and results in application may deviate. SPX does not take responsibility for calculations to establish the size of the cooling tower.

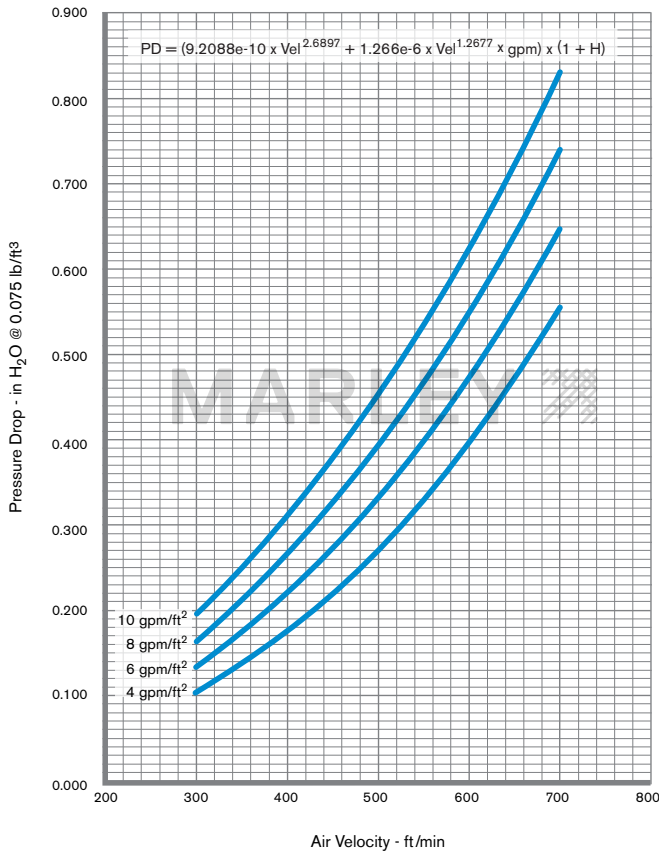


**Pressure Drop  
4'-0 Fill Height**



**Pressure Drop  
6'-0 Fill Height**

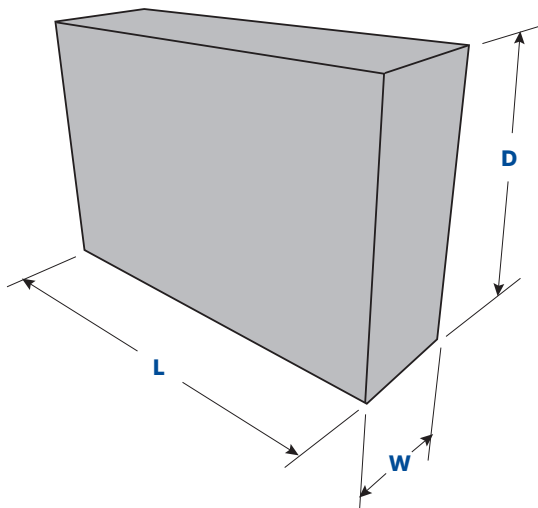
**Note** – Data is based on testing in a controlled environment with properly seasoned fill and results in application may deviate. SPX does not take responsibility for calculations to establish the size of the cooling tower.



**Pressure Drop  
8'-0 Fill Height**

## PROPERTIES

Surface Area – 38 ft<sup>2</sup>/ft<sup>3</sup>      PVC Sheet Thickness Before Forming – 15 mils (.015")  
 Sheet Spacing – .80"      Dry Weight – 1.64 lb/ft<sup>3</sup>  
 Sheets per ft – 15



MVC20 Pack Dimensions			
	<b>L</b>	<b>W</b>	<b>D</b>
Standard	72"	24"	48"
Minimum	48"	1.6"	16"
Maximum	120"	24"	48"

## SUGGESTED SPECIFICATION

The fill will be used in counterflow cooling towers.

### Construction and Materials

The fill shall be film type, constructed of multiple sheets of thermoformed PVC. Each sheet shall contain a pattern of vertically channeled flat and corrugated surfaces to develop the necessary heat transfer capabilities.

The fill shall be designed to be bottom-supported with a minimum number of supports.

### Fill Depth (air travel)

The fill depth shall be chosen to provide the proper thermal performance. To accommodate for various fill heights and/or desired duties, the fill may be installed in multiple layers.

**Note** – Data is based on testing in a controlled environment with properly seasoned fill and results in application may deviate. SPX does not take responsibility for calculations to establish the size of the cooling tower.

### SPX COOLING TECHNOLOGIES, INC.

7401 WEST 129 STREET  
 OVERLAND PARK, KS 66213 USA  
 913 664 7400 | spxcooling@spx.com  
[spxcooling.com](http://spxcooling.com)

SP-MVC20-B | ISSUED 1/2018  
 © 2018 SPX COOLING TECHNOLOGIES INC | ALL RIGHTS RESERVED  
 In the interest of technological progress, all products are subject to design and/or material change without notice.

