

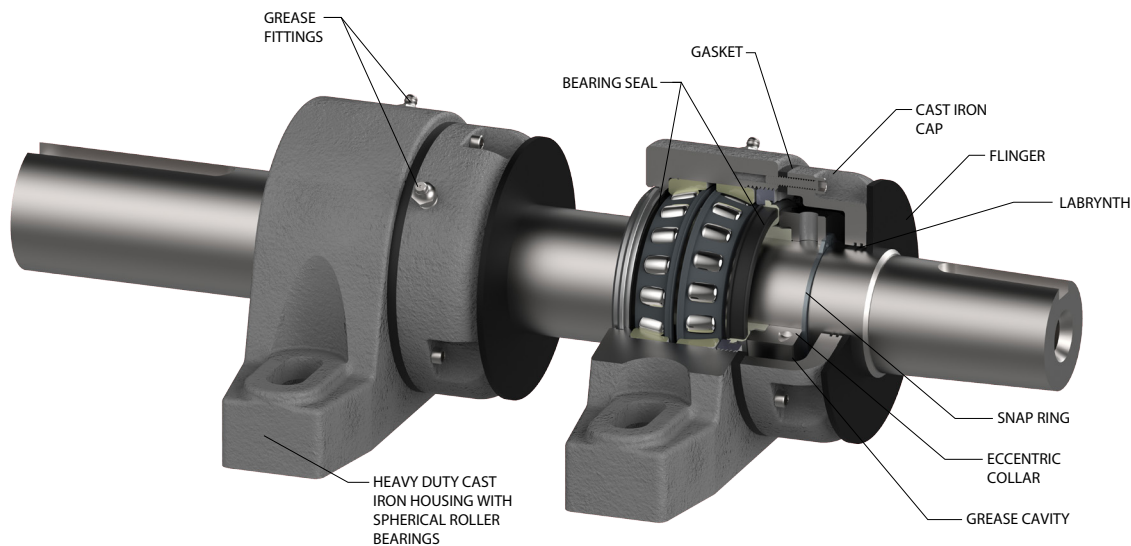
New and improved to significantly extend the life of cooling tower driveshafts, the Marley Pro Series Pillow Block Bearing Kit is designed with six levels of protection to keep lubricant in and contaminants out:

- Flinger
- Labyrinth
- Grease Packed Cast Iron Caps
- Heavy-Duty Lip Seal
- Shaft Coating or Optional Stainless Steel Shaft
- Gasket

Rugged Construction:

- Heavy-duty cast iron housing for long-term reliability
- Self-aligning spherical roller bearings for greater load capacity
- Eccentric locking collar for secure grip on shaft
- Snap ring for positive location and transmission of axial thrust loads
- Maintains shaft position over lifetime of service
- Increases overall bearing life

Available in New MD Cooling Towers and Aftermarket Retrofit Applications



SPX COOLING TECHNOLOGIES, INC.

7401 WEST 129 STREET
OVERLAND PARK, KS 66213 USA
913 664 7400 | spxcooling@spx.com
spxcooling.com

SP-PBB-21 | ISSUED 10/2021

©2021 SPX COOLING TECHNOLOGIES, INC. | ALL RIGHTS RESERVED

In the interest of technological progress, all products are subject to design and/or material change without notice.