

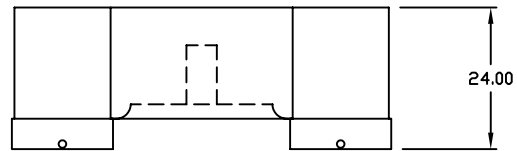
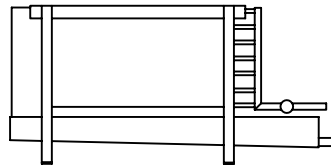
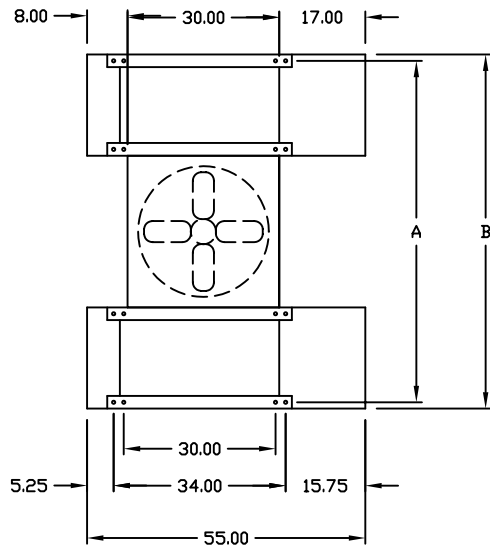
STC Series

TWIN UNIT COOLER

ENGINEERING SCHEMATIC DETAILS



Bookmark designates STC model number, number of fans and fan diameter
Example: For STC2S-84AB-RBA-IHGC-U bookmark would be STC2 24" fan

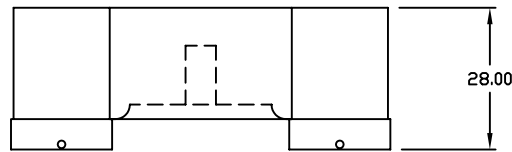
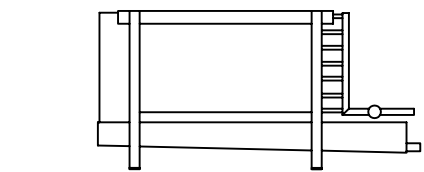
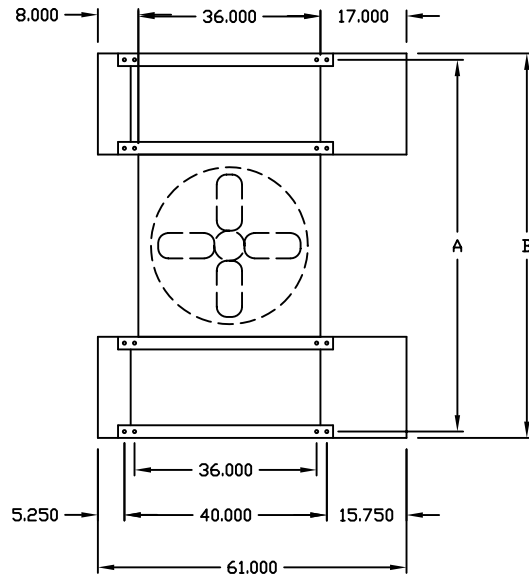


ROWS #	A	B
4	51.75	56.00
6	59.75	64.00
8	65.75	70.00

DESIGN SPECIFICATIONS	UNITS
UNIT COOLING CAPACITY	BTUH
ROOM TEMPERATURE	°F
SUCTION TEMPERATURE	°F
REFRIGERANT	-
AIR FLOW RATE	CFM
EXTERNAL STATIC PRESSURE	INWG
NOMINAL FIN SPACING	FINS/IN
TOTAL SURFACE AREA	FT ²
APPROXIMATE WEIGHT	LBS.

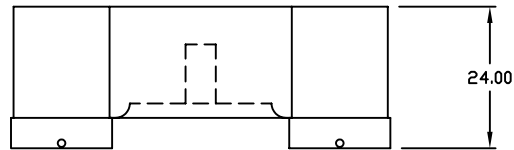
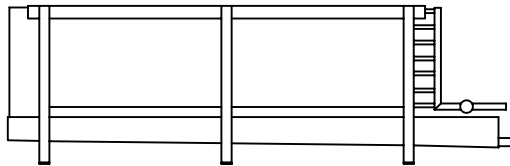
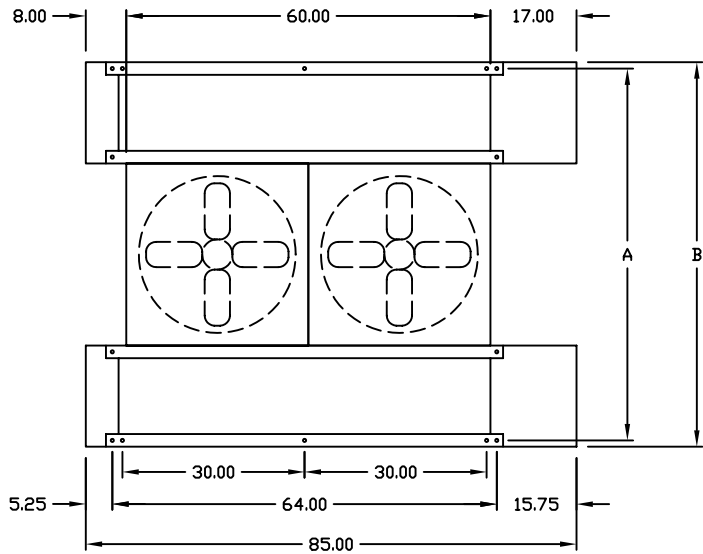
SALES ORDER:	LINE:	NO.	CHANGE DESCRIPTION	DATE	CHK'D
CUSTOMER P.O.:		REVISIONS			
CUSTOMER NAME:					
JOB NAME:					
TAG UNIT:					
MODEL: STC1F 24"					
ITEM NO.:					
NO. REQ'D:	DATE:	DRAWN:			REV.
SHEET					
TOLERANCE: ±0.50"					

ROWS #	A	B
4	57.75	62.00
6	65.75	70.00
8	71.75	76.00



DESIGN SPECIFICATIONS	UNITS
UNIT COOLING CAPACITY	BTUH
ROOM TEMPERATURE	°F
SUCTION TEMPERATURE	°F
REFRIGERANT	-
AIR FLOW RATE	CFM
EXTERNAL STATIC PRESSURE	INWG
NOMINAL FIN SPACING	FINS/IN
TOTAL SURFACE AREA	FT ²
APPROXIMATE WEIGHT	LBS.

SALES ORDER:	LINE:	NO.	CHANGE DESCRIPTION	DATE	CHK'D	
CUSTOMER P.O.:						
CUSTOMER NAME:						
JOB NAME:						
TAG UNIT:						
MODEL: STC1F 30"						
ITEM NO.:						
NO. REQ'D:		DATE:		DRAWN:		
SHEET						REV.
TOLERANCE: ±0.50"						

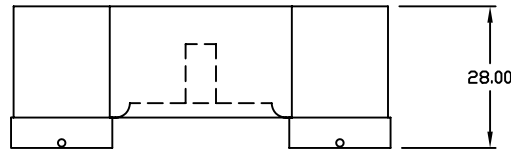
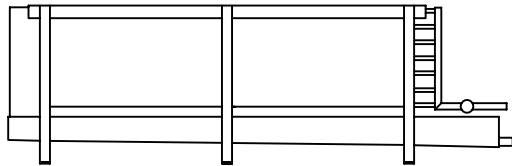
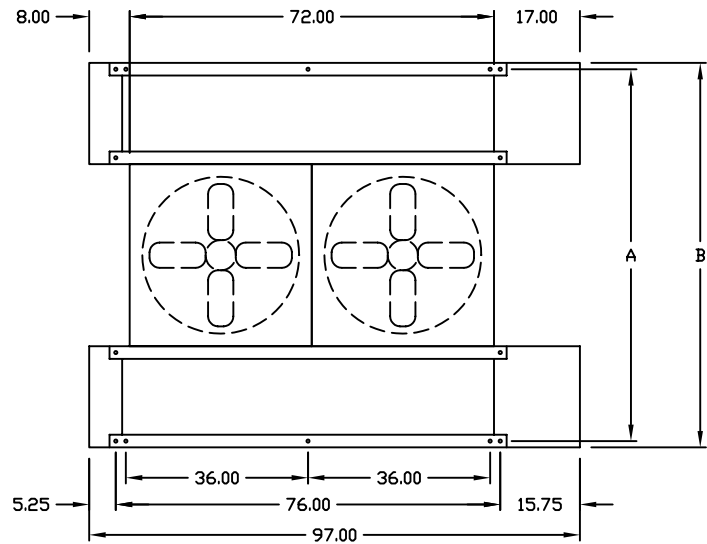


ROWS #	A	B
4	51.75	56.00
6	59.75	64.00
8	65.75	70.00

DESIGN SPECIFICATIONS	UNITS
UNIT COOLING CAPACITY	BTUH
ROOM TEMPERATURE	°F
SUCTION TEMPERATURE	°F
REFRIGERANT	-
AIR FLOW RATE	CFM
EXTERNAL STATIC PRESSURE	INWG
NOMINAL FIN SPACING	FINS/IN
TOTAL SURFACE AREA	FT ²
APPROXIMATE WEIGHT	LBS.

SALES ORDER:	LINE:	NO.	CHANGE DESCRIPTION	DATE	CHK'D	
CUSTOMER P.O.:						
CUSTOMER NAME:						
JOB NAME:						
TAG UNIT:						
MODEL: STC2F 24"						
ITEM NO.:						
NO. REQ'D:		DATE:		DRAWN:		
SHEET						REV.
TOLERANCE: ±0.50"						

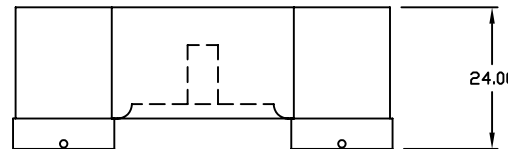
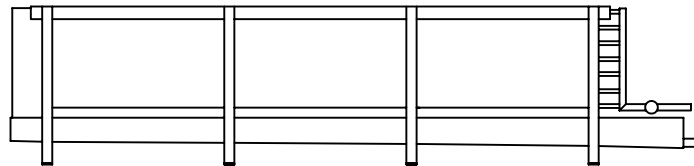
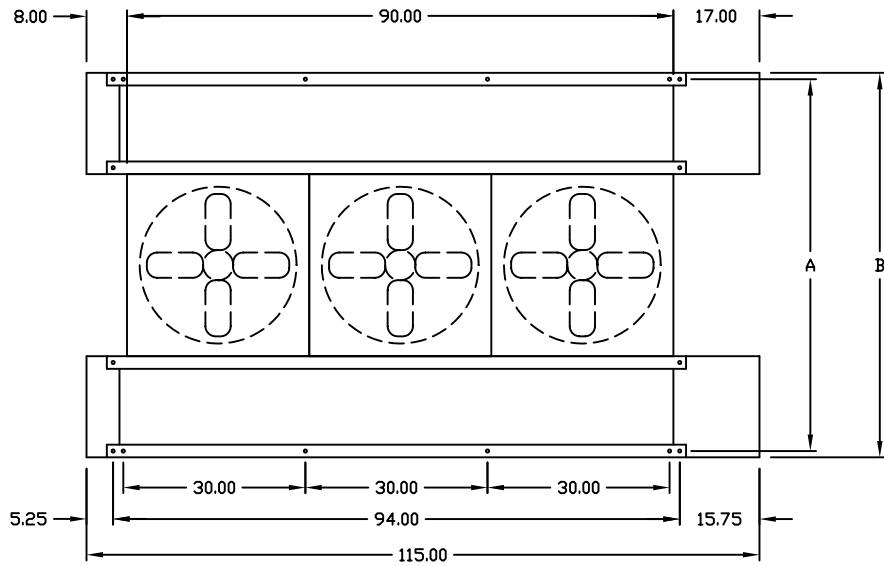
ROWS #	A	B
4	57.75	62.00
6	65.75	70.00
8	71.75	76.00



DESIGN SPECIFICATIONS	UNITS
UNIT COOLING CAPACITY	BTUH
ROOM TEMPERATURE	°F
SUCTION TEMPERATURE	°F
REFRIGERANT	-
AIR FLOW RATE	CFM
EXTERNAL STATIC PRESSURE	INWG
NOMINAL FIN SPACING	FINS/IN
TOTAL SURFACE AREA	FT ²
APPROXIMATE WEIGHT	LBS.

SALES ORDER:	LINE:	NO.	CHANGE DESCRIPTION	DATE	CHK'D
CUSTOMER P.O.:		REVISIONS			
CUSTOMER NAME:					
JOB NAME:					
TAG UNIT:					
MODEL: STC2F 30"					
ITEM NO.:					
NO. REQ'D:	DATE:	DRAWN:			REV.
SHEET					
TOLERANCE: ±0.50"					

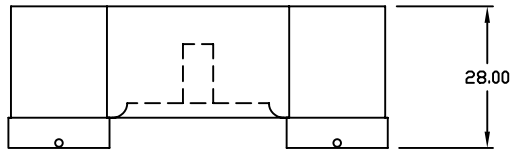
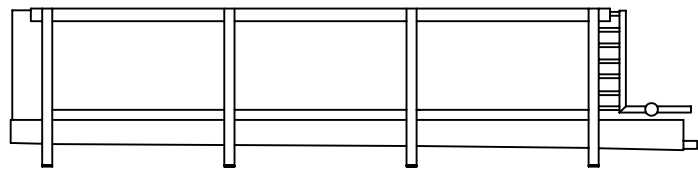
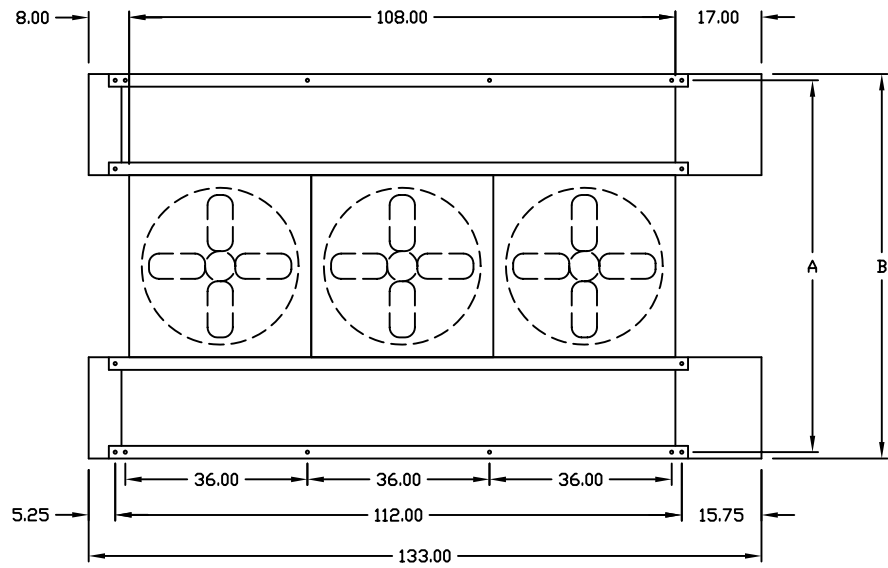
ROWS #	A	B
4	51.75	56.00
6	59.75	64.00
8	65.75	70.00



DESIGN SPECIFICATIONS	UNITS
UNIT COOLING CAPACITY	BTUH
ROOM TEMPERATURE	°F
SUCTION TEMPERATURE	°F
REFRIGERANT	-
AIR FLOW RATE	CFM
EXTERNAL STATIC PRESSURE	INWG
NOMINAL FIN SPACING	FINS/IN
TOTAL SURFACE AREA	FT ²
APPROXIMATE WEIGHT	LBS.

SALES ORDER:	LINE:	NO.	CHANGE DESCRIPTION	DATE	CHK'D
CUSTOMER P.O.:		REVISIONS			
CUSTOMER NAME:					
JOB NAME:					
TAG UNIT:					
MODEL: STC3F 24"					
ITEM NO.:					
NO. REQ'D:	DATE:	DRAWN:			
SHEET					REV.
TOLERANCE: ±0.50"					

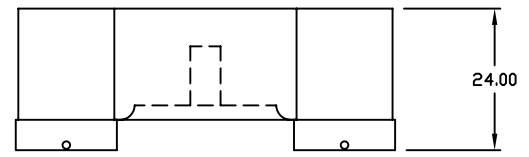
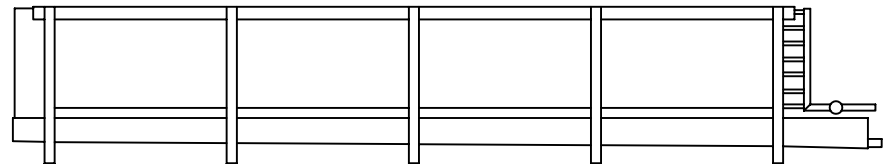
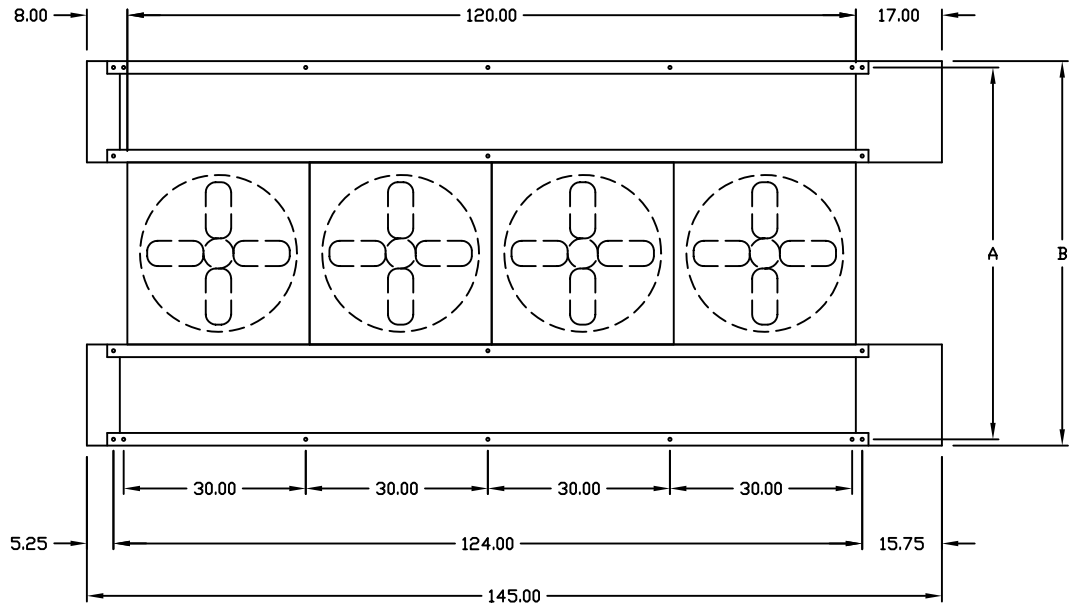
ROWS #	A	B
4	57.75	62.00
6	65.75	70.00
8	71.75	76.00



DESIGN SPECIFICATIONS	UNITS
UNIT COOLING CAPACITY	BTUH
ROOM TEMPERATURE	°F
SUCTION TEMPERATURE	°F
REFRIGERANT	-
AIR FLOW RATE	CFM
EXTERNAL STATIC PRESSURE	INWG
NOMINAL FIN SPACING	FINS/IN
TOTAL SURFACE AREA	FT ²
APPROXIMATE WEIGHT	LBS.

SALES ORDER:	LINE:	NO.	CHANGE DESCRIPTION	DATE	CHK'D
CUSTOMER P.O.:		REVISIONS			
CUSTOMER NAME:					
JOB NAME:					
TAG UNIT:					
MODEL: STC3F 30"					
ITEM NO.:					
NO. REQ'D:	DATE:	DRAWN:			REV.
SHEET					
TOLERANCE: ±0.50"					

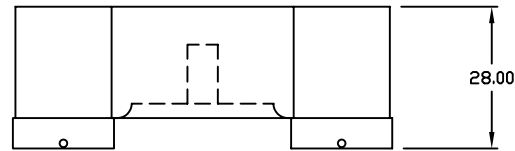
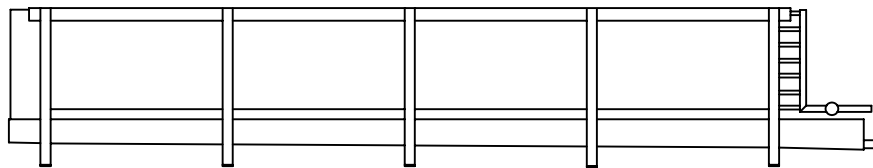
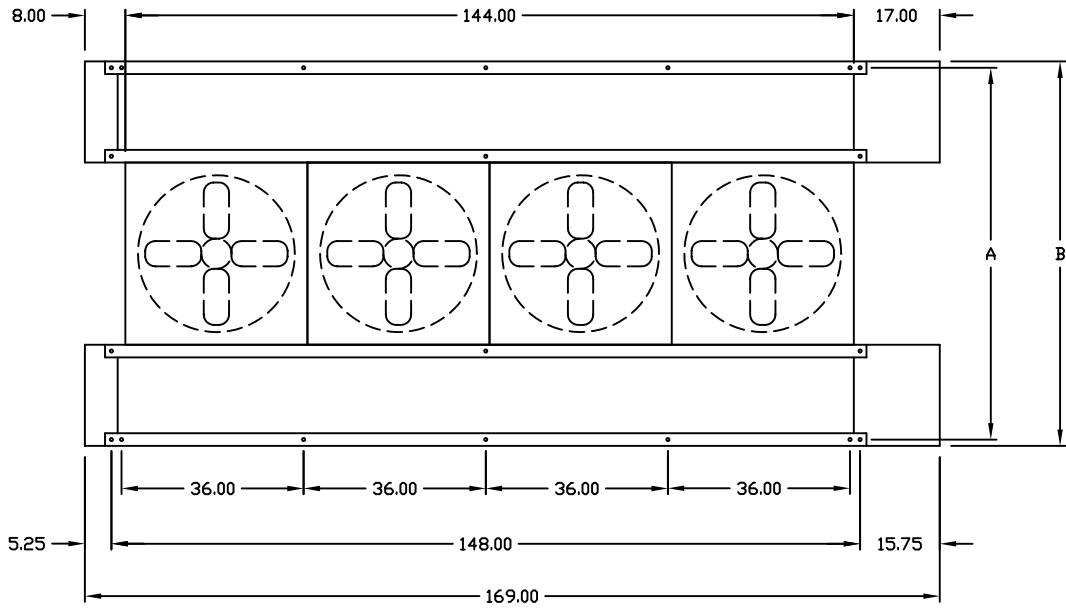
ROWS #	A	B
4	51.75	56.00
6	59.75	64.00
8	65.75	70.00



DESIGN SPECIFICATIONS	UNITS
UNIT COOLING CAPACITY	BTUH
ROOM TEMPERATURE	°F
SUCTION TEMPERATURE	°F
REFRIGERANT	-
AIR FLOW RATE	CFM
EXTERNAL STATIC PRESSURE	INWG
NOMINAL FIN SPACING	FINS/IN
TOTAL SURFACE AREA	FT ²
APPROXIMATE WEIGHT	LBS.

SALES ORDER:	LINE:	NO.	CHANGE DESCRIPTION	DATE	CHK'D	
CUSTOMER P.O.:						
CUSTOMER NAME:						
JOB NAME:						
TAG UNIT:						
MODEL: STC4F 24"						
ITEM NO.:						
NO. REQ'D:		DATE:		DRAWN:		
SHEET						REV.
TOLERANCE: ±0.50"						

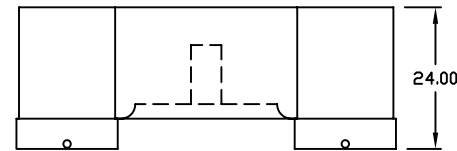
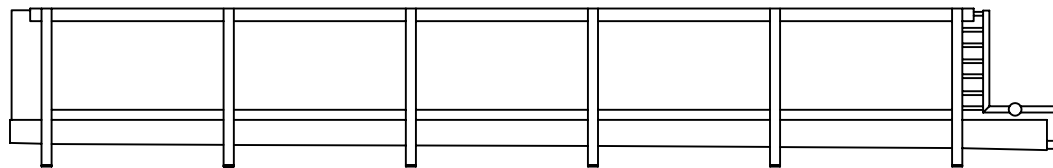
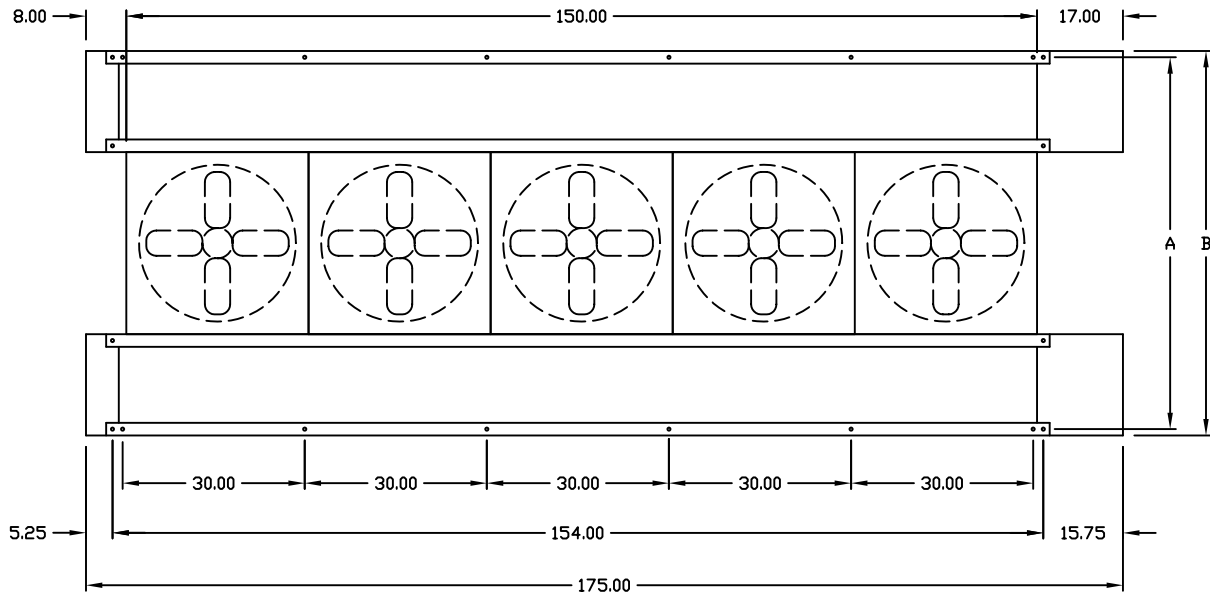
ROWS #	A	B
4	57.75	62.00
6	65.75	70.00
8	71.75	76.00



DESIGN SPECIFICATIONS	UNITS
UNIT COOLING CAPACITY	BTUH
ROOM TEMPERATURE	°F
SUCTION TEMPERATURE	°F
REFRIGERANT	-
AIR FLOW RATE	CFM
EXTERNAL STATIC PRESSURE	INWG
NOMINAL FIN SPACING	FINS/IN
TOTAL SURFACE AREA	FT ²
APPROXIMATE WEIGHT	LBS.

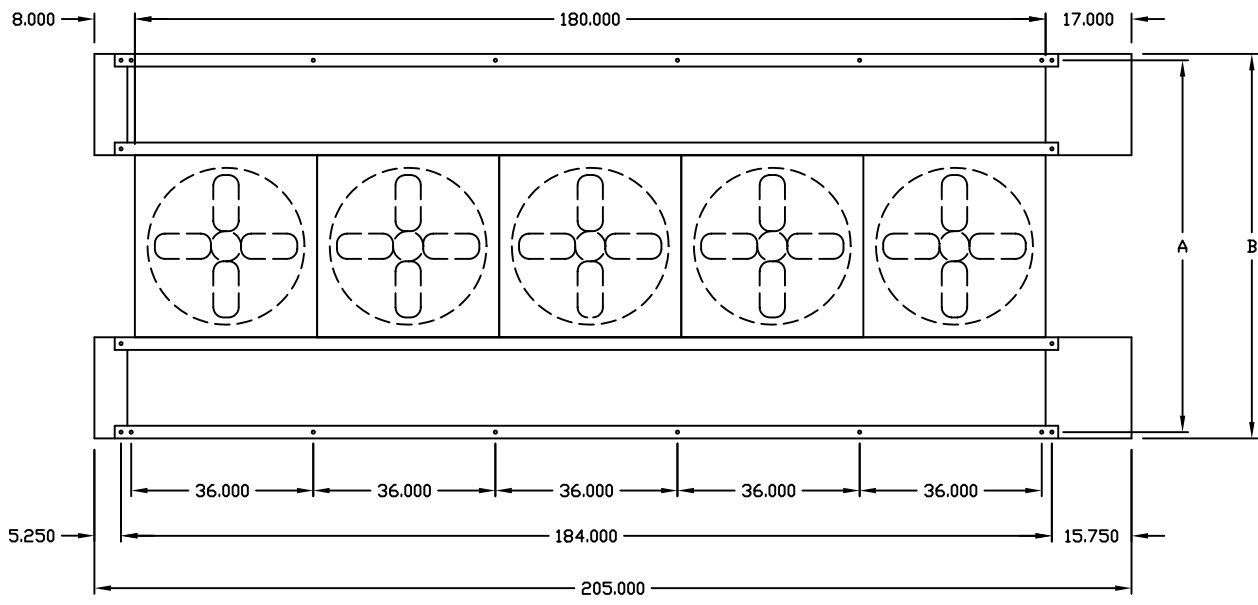
SALES ORDER:	LINE:	NO.	CHANGE DESCRIPTION	DATE	CHK'D	
CUSTOMER P.O.:						
CUSTOMER NAME:						
JOB NAME:						
TAG UNIT:						
MODEL: STC4F 30"						
ITEM NO.:						
NO. REQ'D:		DATE:		DRAWN:		
SHEET						REV.
TOLERANCE: ±0.50"						

ROWS #	A	B
4	51.75	56.00
6	59.75	64.00
8	65.75	70.00

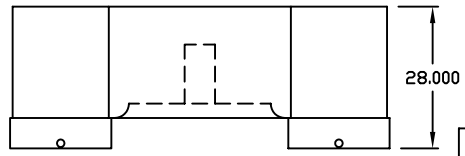
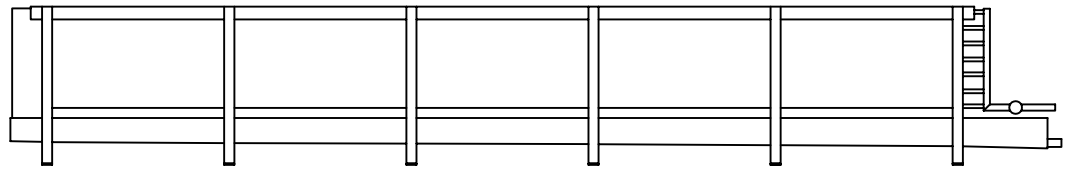


DESIGN SPECIFICATIONS	UNITS
UNIT COOLING CAPACITY	BTUH
ROOM TEMPERATURE	°F
SUCTION TEMPERATURE	°F
REFRIGERANT	-
AIR FLOW RATE	CFM
EXTERNAL STATIC PRESSURE	INWG
NOMINAL FIN SPACING	FINS/IN
TOTAL SURFACE AREA	FT ²
APPROXIMATE WEIGHT	LBS.

SALES ORDER:	LINE:	NO.	CHANGE DESCRIPTION	DATE	CHK'D
CUSTOMER P.O.:					
REVISIONS					
CUSTOMER NAME:					
JOB NAME:					
TAG UNIT:					
MODEL: STC5F 24"					
ITEM NO.:					
NO. REQ'D:	DATE:	DRAWN:			REV.
SHEET					
TOLERANCE: ±0.50"					



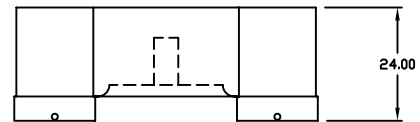
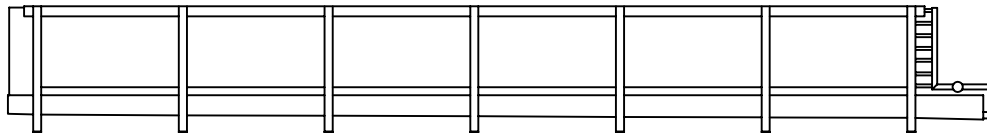
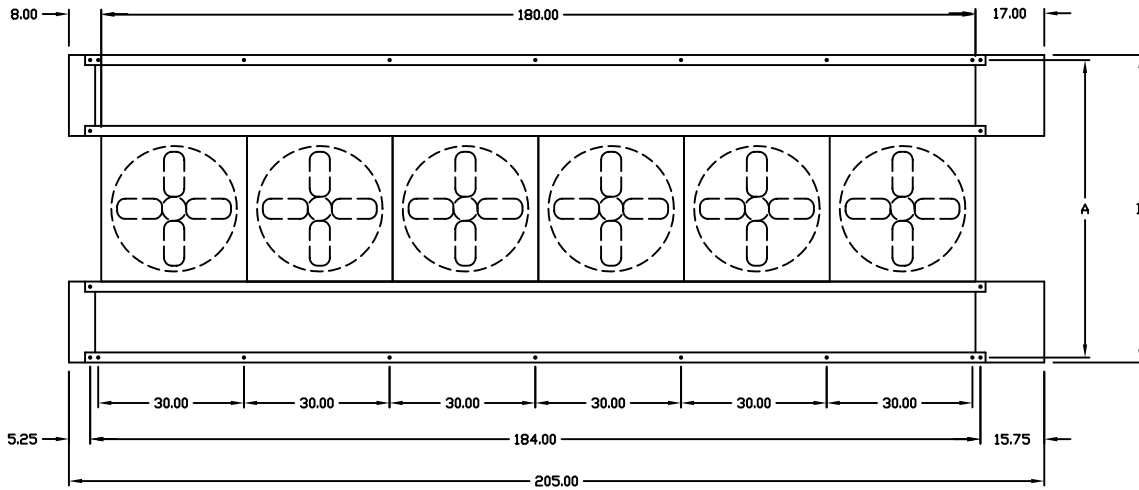
ROWS #	A	B
4	57.75	62.00
6	65.75	70.00
8	71.75	76.00



DESIGN SPECIFICATIONS	UNITS
UNIT COOLING CAPACITY	BTUH
ROOM TEMPERATURE	°F
SUCTION TEMPERATURE	°F
REFRIGERANT	-
AIR FLOW RATE	CFM
EXTERNAL STATIC PRESSURE	INWG
NOMINAL FIN SPACING	FINS/IN
TOTAL SURFACE AREA	FT ²
APPROXIMATE WEIGHT	LBS.

SALES ORDER:	LINE:	NO.	CHANGE DESCRIPTION	DATE	CHK'D	
CUSTOMER P.O.:						
CUSTOMER NAME:						
JOB NAME:						
TAG UNIT:						
MODEL: STC5F 30"						
ITEM NO.:						
NO. REQ'D:		DATE:		DRAWN:		
SHEET						REV.
TOLERANCE: ±0.50"						

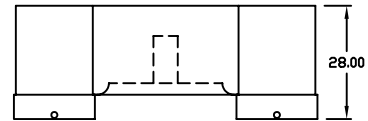
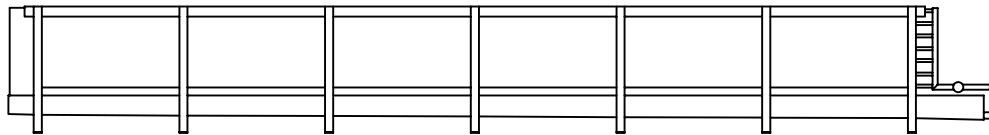
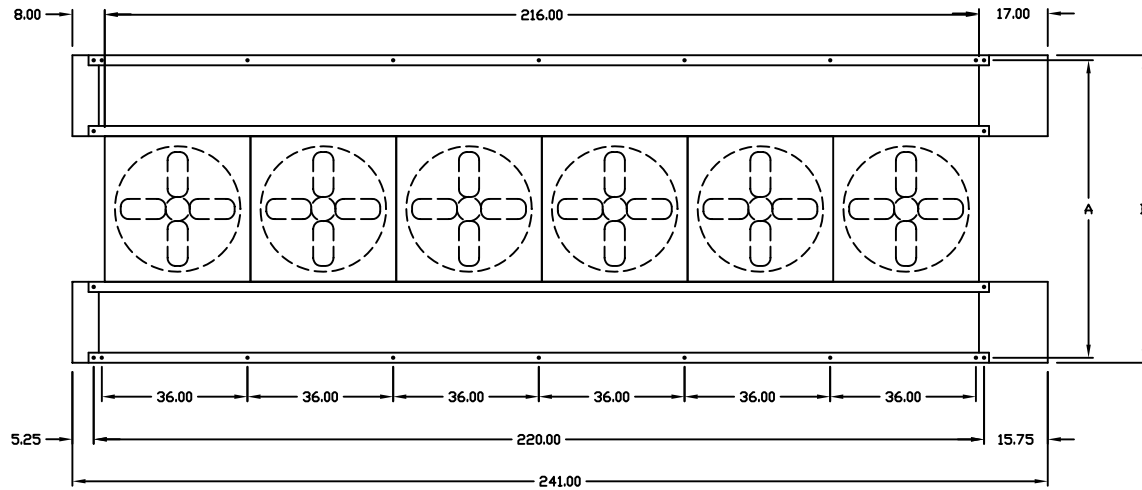
ROWS #	A	B
4	51.75	56.00
6	59.75	64.00
8	65.75	70.00



DESIGN SPECIFICATIONS	UNITS
UNIT COOLING CAPACITY	BTUH
ROOM TEMPERATURE	°F
SUCTION TEMPERATURE	°F
REFRIGERANT	-
AIR FLOW RATE	CFM
EXTERNAL STATIC PRESSURE	INWG
NOMINAL FIN SPACING	FINS/IN
TOTAL SURFACE AREA	FT ²
APPROXIMATE WEIGHT	LBS.

SALES ORDER:	LINE:	NO.	CHANGE DESCRIPTION	DATE	CHK'D
CUSTOMER P.O.:					
REVISIONS					
CUSTOMER NAME:					
JOB NAME:					
TAG UNIT:					
MODEL: STC6F 24"					
ITEM NO.:					
NO. REQ'D:	DATE:	DRAWN:			REV.
SHEET					
TOLERANCE: ±0.50"					

ROWS #	A	B
4	57.75	62.00
6	65.75	70.00
8	71.75	76.00



DESIGN SPECIFICATIONS	UNITS
UNIT COOLING CAPACITY	BTUH
ROOM TEMPERATURE	°F
SUCTION TEMPERATURE	°F
REFRIGERANT	-
AIR FLOW RATE	CFM
EXTERNAL STATIC PRESSURE	INWG
NOMINAL FIN SPACING	FINS/IN
TOTAL SURFACE AREA	FT ²
APPROXIMATE WEIGHT	LBS.

SALES ORDER:	LINE:	NO.	CHANGE DESCRIPTION	DATE	CHK'D
CUSTOMER P.O.:		REVISIONS			
CUSTOMER NAME:					
JOB NAME:					
TAG UNIT:					
MODEL: STC6F 30"					
ITEM NO.:					
NO. REQ'D:	DATE:	DRAWN:			REV.
SHEET					
TOLERANCE: ±0.50"					