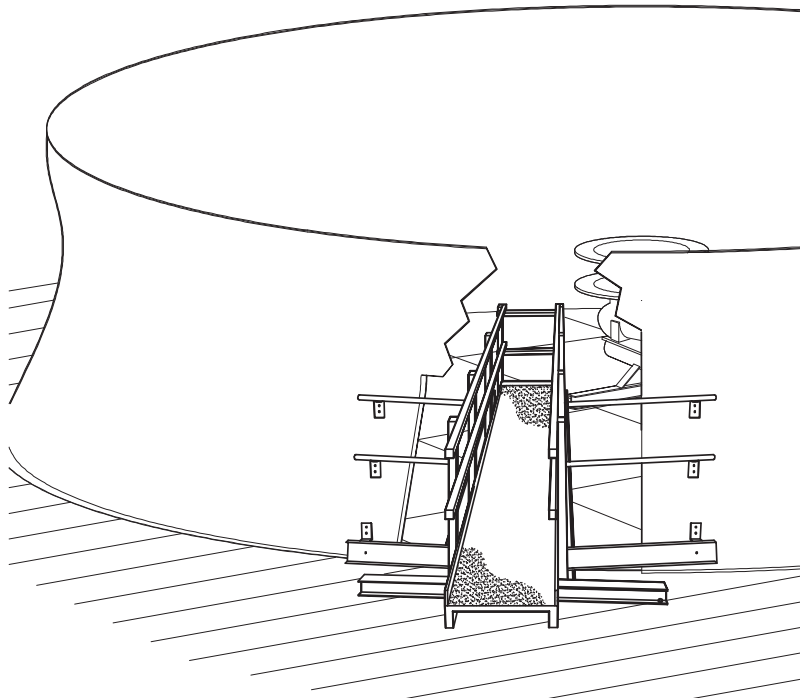


# Catwalk – temporary access

INSTALLATION - MAINTENANCE

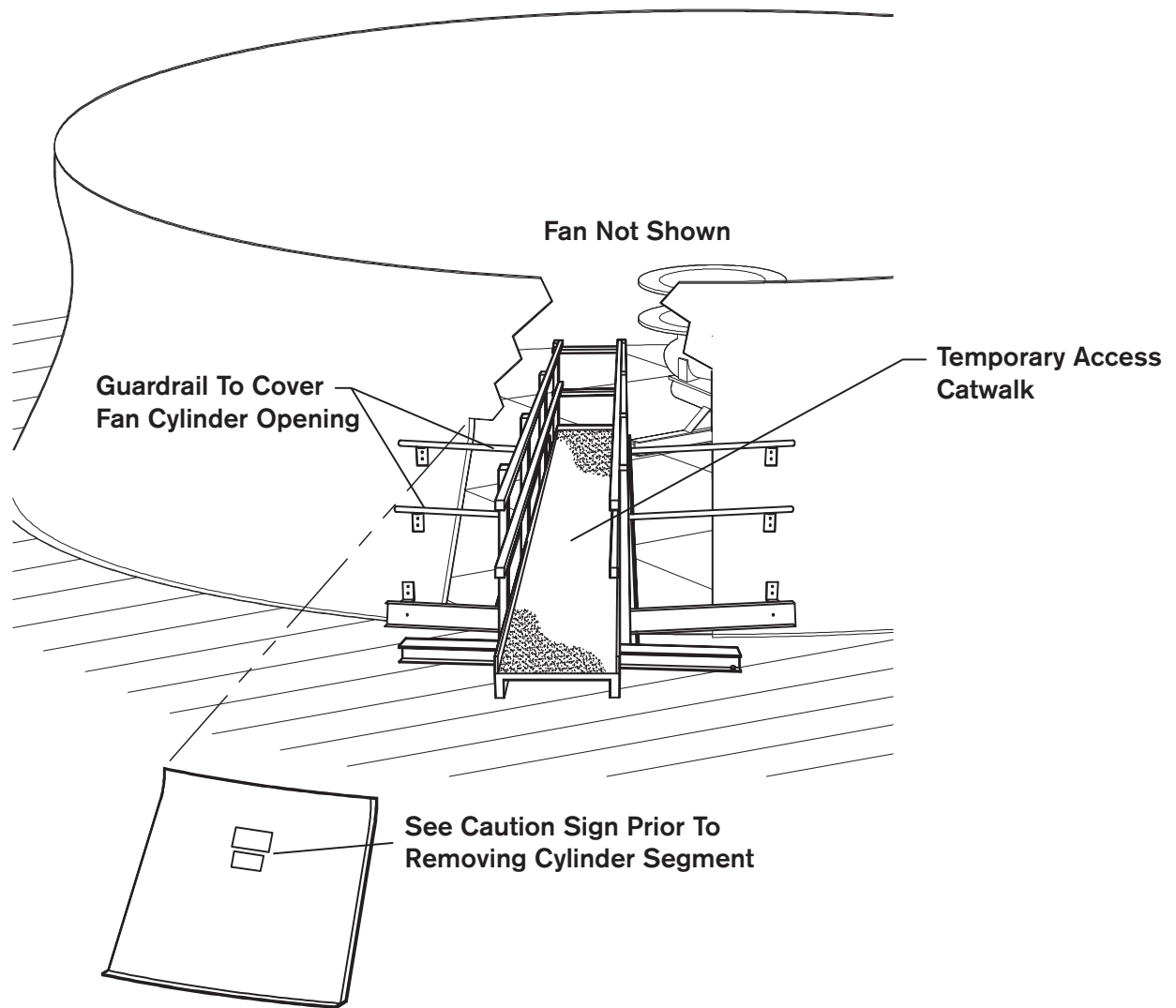
Z0430502\_A ISSUED 06/2017

READ AND UNDERSTAND THIS MANUAL PRIOR TO OPERATING OR SERVICING THIS PRODUCT.



---

catwalk components



---

## catwalk installation

---

### **⚠ Warning**

***Always shut off electrical power to the tower fan motor prior to performing any inspections that may involve physical contact with the mechanical or electrical equipment in or on the tower. Lock out and tag out any electrical switches to prevent others from turning the power back on. Service personnel must wear proper personal protective clothing and equipment. Locking out electrical devices will not prevent the fan from spinning freely. Secure the fan before working inside the fan area.***

***Review all site and owner safety manuals and follow the most stringent requirements.***

***Follow all appropriate owner safety and lock-out procedures before removing a fan cylinder access segment or using the mechanical equipment temporary access catwalk.***

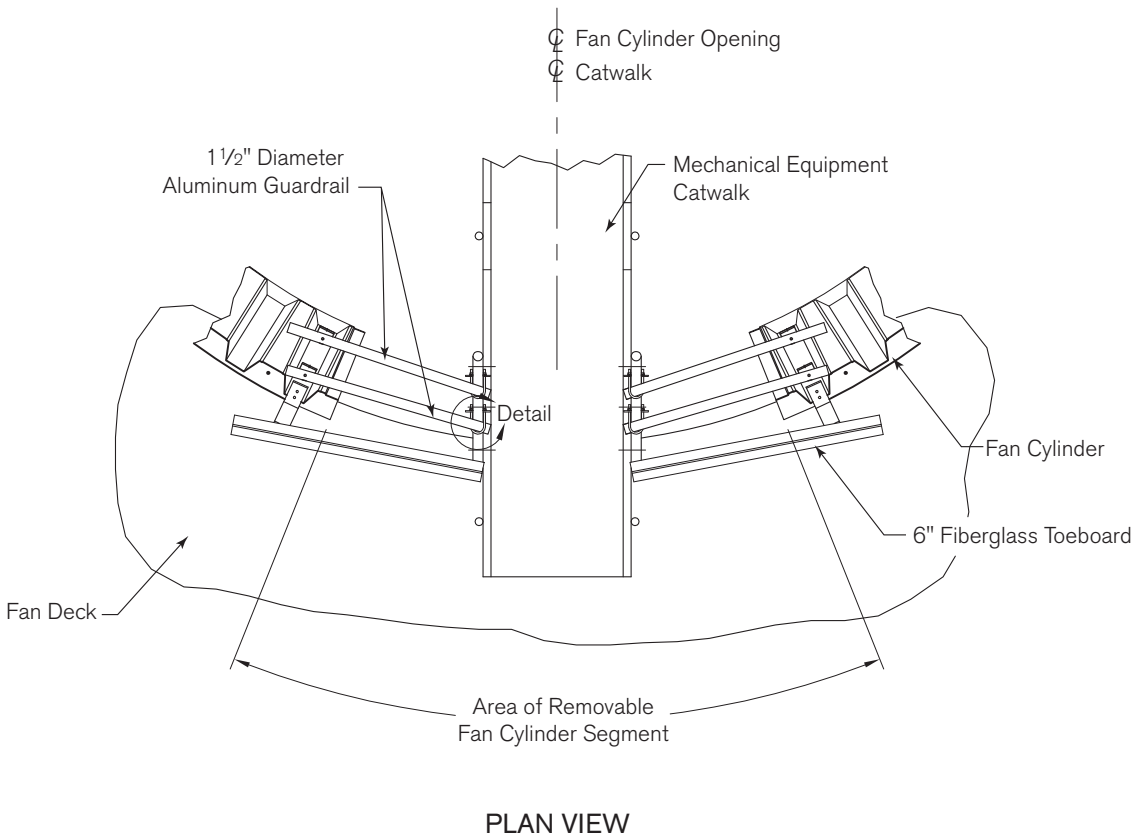
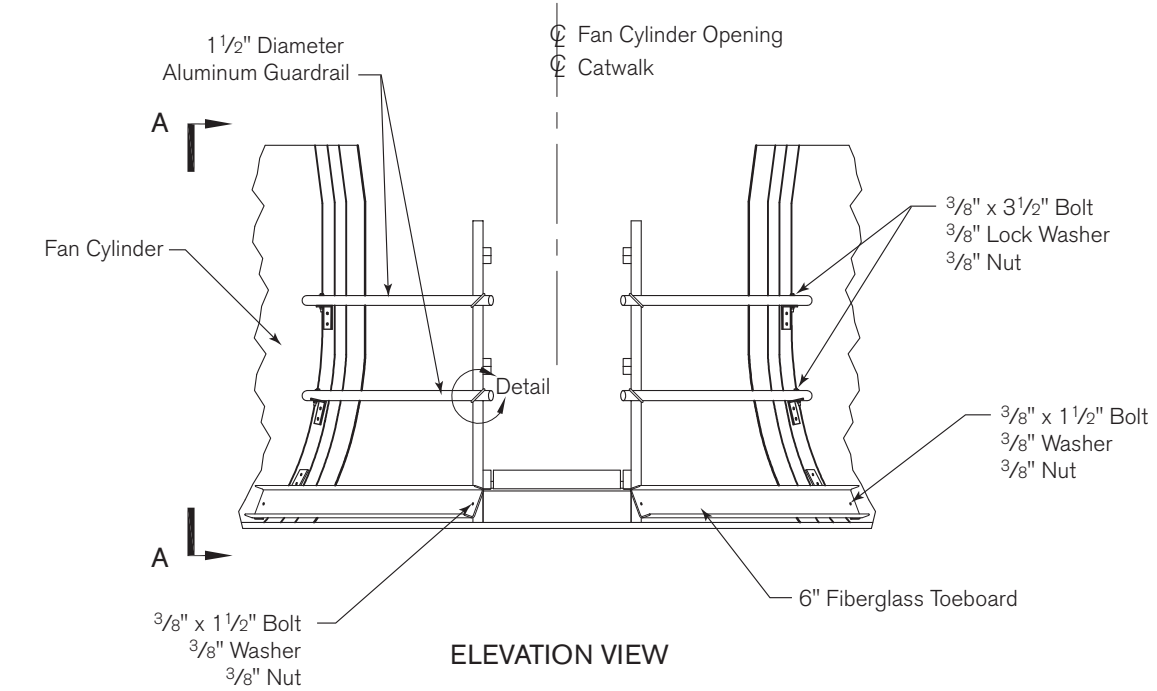
***Do not attempt use if there is a potential for lightning storms or inclement weather.***

***Safety requirements for personal tie-off or fall protection shall be followed at all times.***

- 1–Remove and store the fan cylinder access segment and protect the opening per OSHA and owner safety requirements. Collect all loose hardware that was removed and inspect before reuse.
- 2–Inspect the temporary access catwalk for damage or other defects that could impact the safe load posted on the catwalk section. Verify all hardware, brackets, beams, guardrail, etc. are on hand for a complete and safe installation.
- 3–Visually inspect the permanently installed guide track in each fan cell opening for damage and/or missing brackets or hardware.
- 4–Damaged parts should be repaired by qualified personnel or replaced prior to use.
- 5–Keep loads below the capacity limits posted on the catwalk.
- 6–Handling the catwalk may require more than one person. Maneuver the access catwalk into the removed fan cylinder segment opening using the guide track assembly which is permanently installed at each fan cell. The guide track may be at the fan deck level or raised slightly to clear steel support beams depending upon tower size and design.
- 7–Catwalk must slide under the retaining bar at the end of the guide rack.

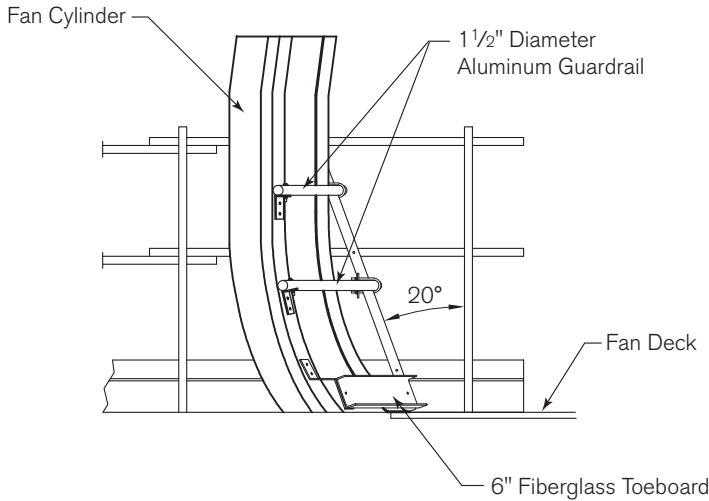
last page 

# guardrail installation – vertical rib fan cylinder

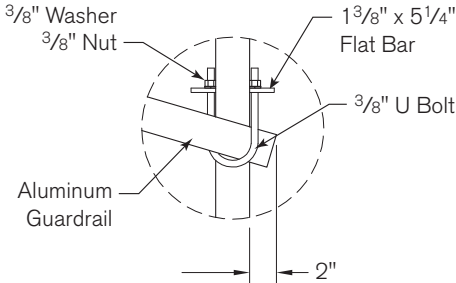


---

guardrail installation – vertical rib fan cylinder



VIEW A



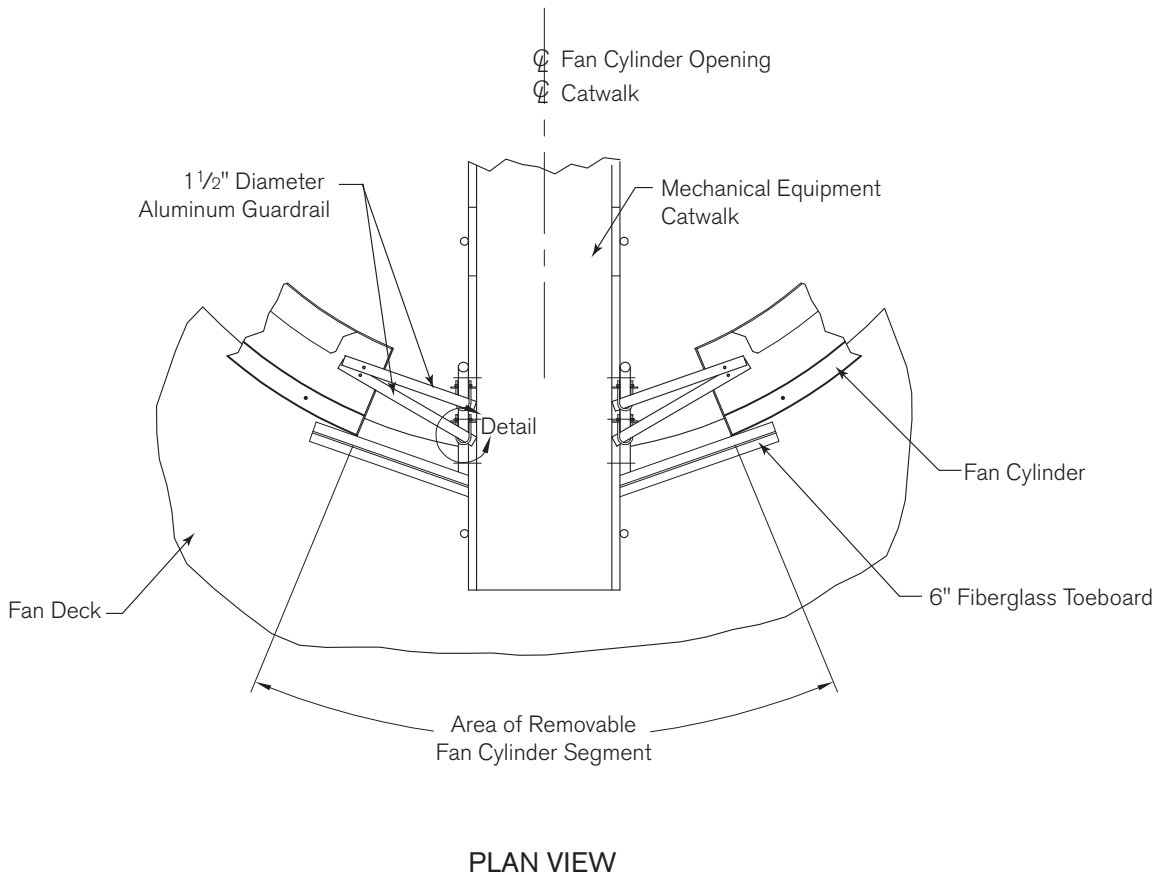
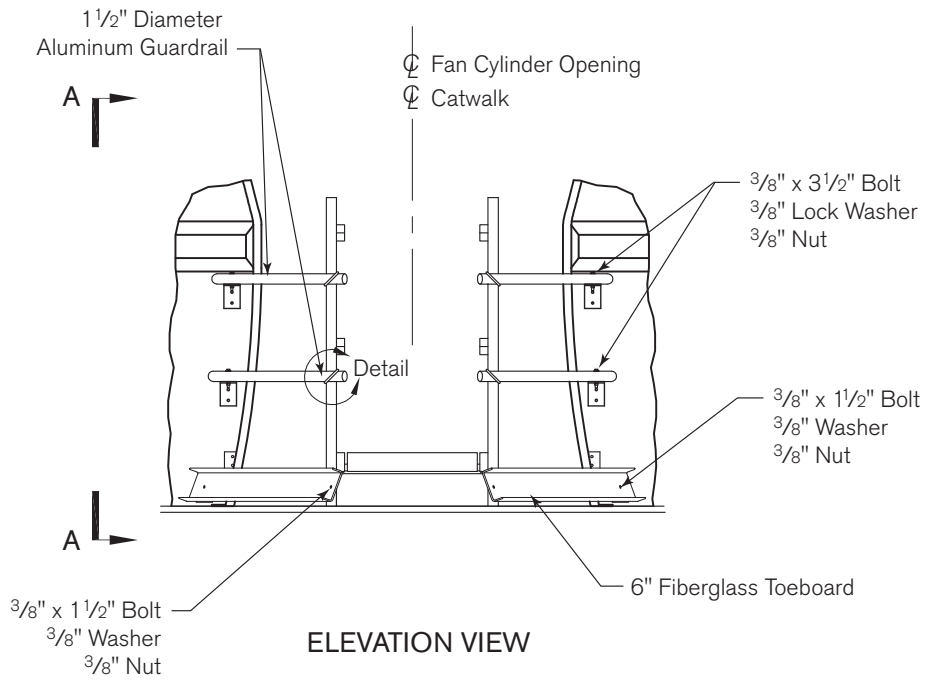
DETAIL  
Plain View

---

**⚠ Caution**

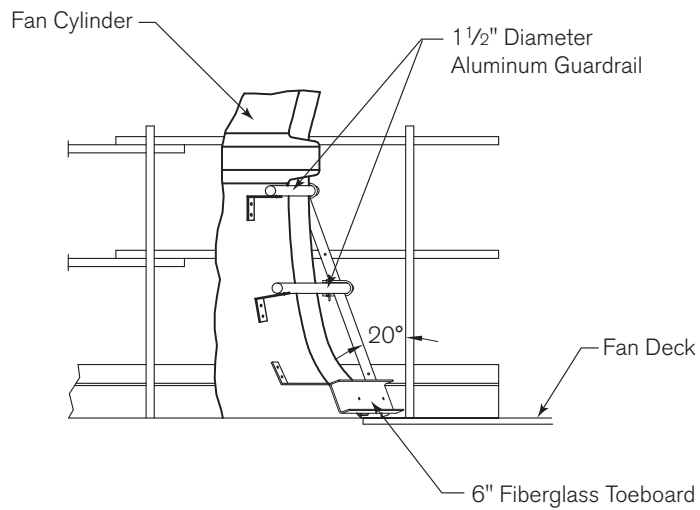
*Overtightening the hardware could result in damage to the fan cylinder and the guardrail.*

# guardrail installation – horizontal rib fan cylinder

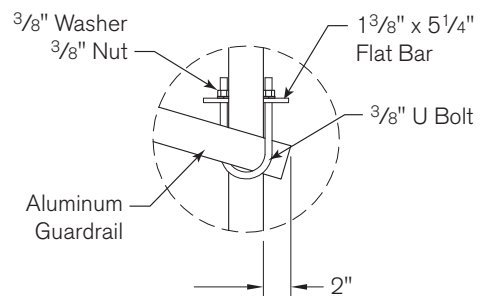


---

## guardrail installation – horizontal rib fan cylinder



VIEW A



DETAIL  
Plain View

---

**⚠ Caution**

*Overtightening the hardware could result in damage to the fan cylinder and the guardrail.*

8—On raised installations, a temporary catwalk support beam is supplied to support the end of the temporary catwalk on the fan deck.

9—Once the catwalk is in position under the retaining bar, install the fan cylinder guardrail on each side of the catwalk. Refer to illustrations within this manual.

---

**⚠ Warning**

*The guardrail is designed to laterally brace the catwalk. Do not use the catwalk without the guardrail installed.*

10—When fan area maintenance is complete, the instructions are reversed. Remove temporary access catwalk and then the fan cylinder guardrail from the fan cell. The catwalk, guardrail, support beam and any attaching hardware should be stored and secured on the fan deck in the area designated by the owner or in storage restraints if provided.

---

**⚠ Caution**

*The temporary access catwalk may be slippery. Watch your step.*

---

**⚠ Warning**

*The owner shall provide guarded openings and follow all OSHA and site safety regulations if the openings are not immediately closed by reinstalling the fan cylinder access panels.*

---

**⚠ Caution**

*The temporary access catwalk must be removed from the fan opening prior to starting the fan.*

---

**SPX COOLING TECHNOLOGIES, INC.**

7401 WEST 129 STREET  
OVERLAND PARK, KS 66213 USA  
913 664 7400 | [spxcooling@spx.com](mailto:spxcooling@spx.com)  
[spxcooling.com](http://spxcooling.com)

Z0430502\_A (2013-1402) | ISSUED 06/2017

COPYRIGHT © 2017 SPX CORPORATION

In the interest of technological progress, all products are subject to design and/or material change without notice.

