

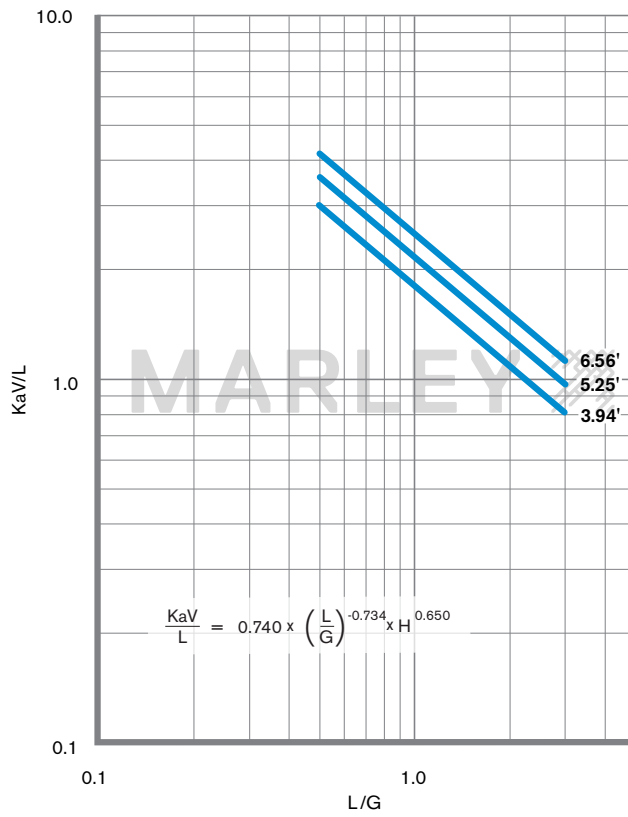
Marley DF254 film fill is designed to significantly reduce the risk of biological fouling without sacrificing high-performance heat transfer.

- Bottom support low-clog log fill configuration
- Open, angular cross-corrugations allow debris and biological growth foulant to pass, while providing maximum surface area and turbulence to develop efficient heat transfer
- Texturing creates thermal capability improvement with little effect on fouling
- Low pressure drop in an aerodynamic, durable design
- Easily adapted to your tower's configuration
- May be installed in multiple layers to accommodate for various fill heights and/or desired duties
- Thermoformed from .020" thick, UV inhibited, chemically-resistant PVC (polyvinyl chloride)
- Flame spread rating is less than 25 per ASTM E-84 and is considered self-extinguishing

DF254 is now available worldwide for any counterflow cooling tower, regardless of a cooling tower's age, design or manufacturer.

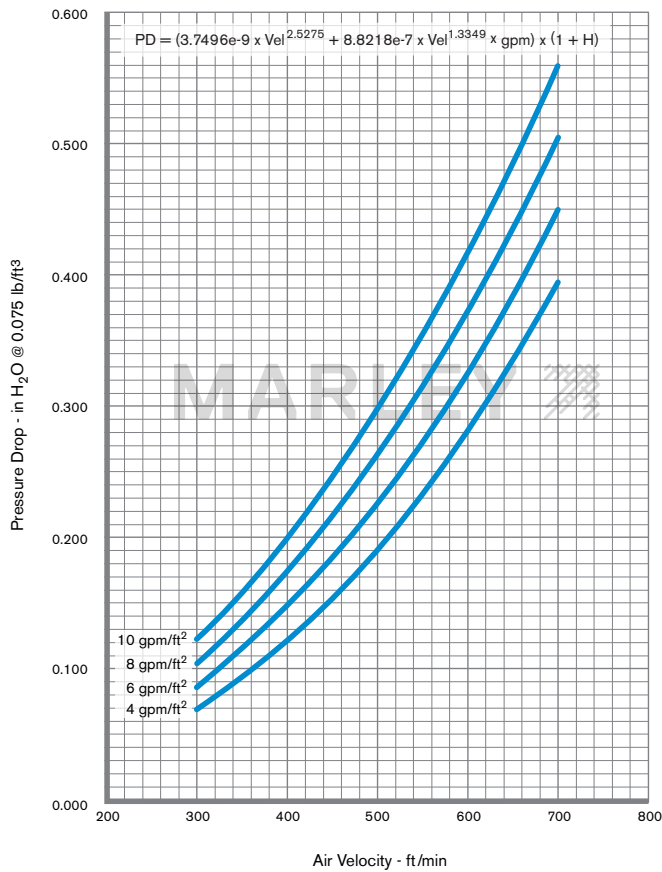
Contact your nearest Marley sales representative for more information. Locate your Marley sales representative at spxcooling.com/replocator

Marley DF254 Film Fill

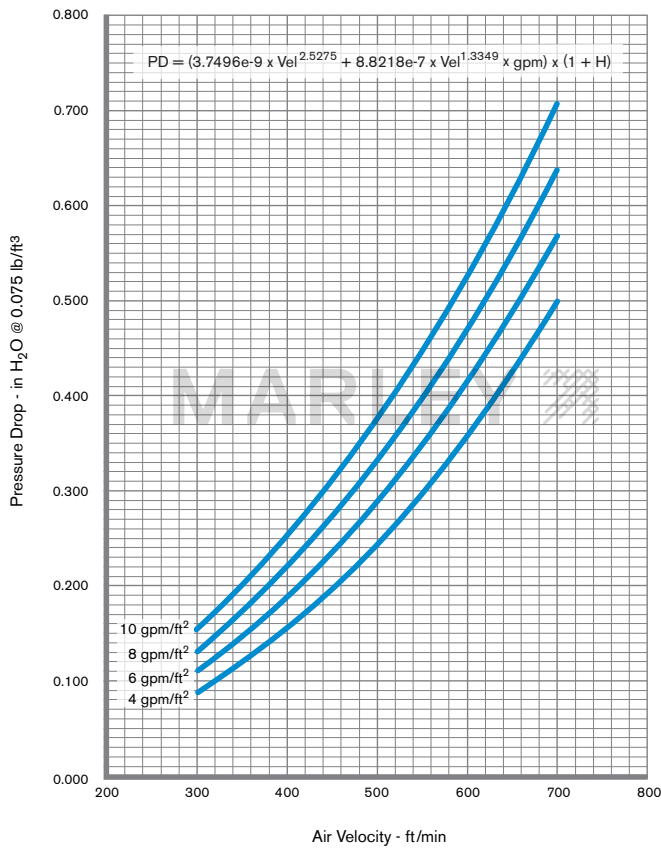


KaV/L

Note – Data is based on testing in a controlled environment with properly seasoned fill and results in application may deviate. SPX does not take responsibility for calculations to establish the size of the cooling tower.

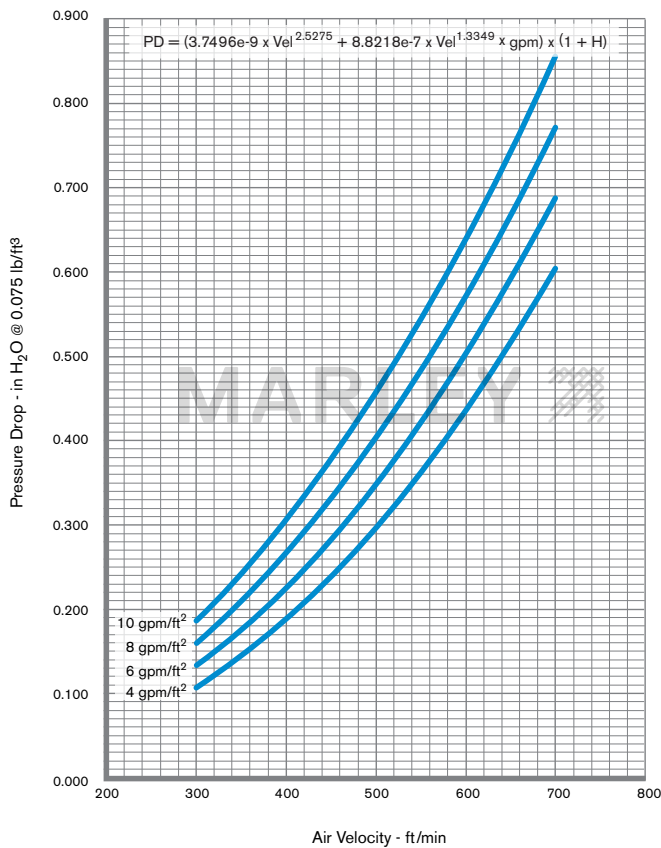


**Pressure Drop
3.94' Fill Height**



**Pressure Drop
5.25' Fill Height**

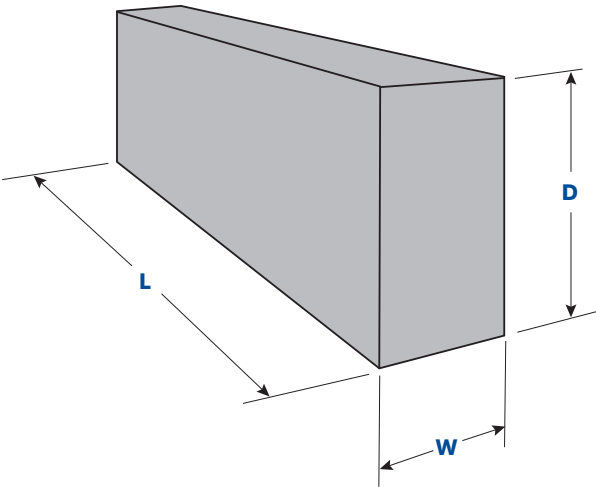
Note – Data is based on testing in a controlled environment with properly seasoned fill and results in application may deviate. SPX does not take responsibility for calculations to establish the size of the cooling tower.



**Pressure Drop
6.56' Fill Height**

PROPERTIES

Surface Area – 40 ft²/ft³ Flute Angle – 11°
 Sheet Spacing – 1" PVC Sheet Thickness Before Forming–20 mils (.020")
 Sheets per ft – 12 Dry Weight –1.75 lb/ft³



DF254 Pack Dimensions			
	L	W	D
Standard	72"	12"	47.25"
Minimum	48"	2"	15.75"
Maximum	120"	12"	47.25"

SUGGESTED SPECIFICATION

The fill will be used in counterflow cooling towers.

Construction and Materials

The fill shall be film type, constructed of multiple sheets of thermoformed PVC. Each sheet shall contain a pattern of angular cross-corrugations to develop the necessary heat transfer capabilities. Alternate reversal of corrugation angularity on adjacent sheets will establish the fill sheet spacing.

The fill shall be designed to be bottom-supported with a minimum number of supports.

Fill Depth (air travel)

The fill depth shall be chosen to provide the proper thermal performance. To accommodate for various fill heights and/or desired duties, the fill may be installed in multiple layers.

Note – Data is based on testing in a controlled environment with properly seasoned fill and results in application may deviate. SPX does not take responsibility for calculations to establish the size of the cooling tower.

SPX COOLING TECHNOLOGIES MALAYSIA SDN BHD

UNIT 505, BLOCK B, PHILEO DAMANSARA 2
 NO. 15 JALAN 16/11 OFF JALAN DAMANSARA
 46350 PETALING JAYA, MALAYSIA
 60 3 7947 7800 | th.my.enquiry@spx.com
 spxcooling.com

sea_SP-DF254-C | ISSUED 1/2018
 © 2010-2018 SPX COOLING TECHNOLOGIES INC | ALL RIGHTS RESERVED
 In the interest of technological progress, all products are subject to design and/or material change without notice.

