

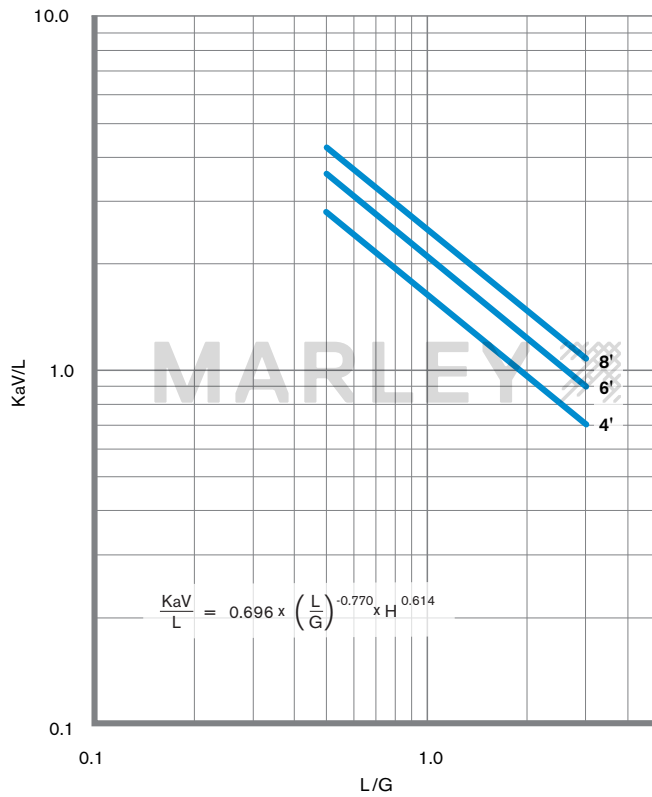
Marley MVC20 fill combines properties related to a fill pack's ability to allow substances to migrate through it, while maintaining thermal efficiency.

- Bottom support low-clog log fill configuration
- Each module consists of vertically channeled flat and corrugated surfaces, which essentially avoids contact between the sheets, thus eliminating water concentration
- The horizontal corrugations and their location within the sheet promote optimum mixing of air and water
- The flutes are vertically and aerodynamically shaped resulting in a reduction of pressure drop
- The sheets are bonded to form modules which can be dimensioned to fit any application
- Thermoformed from .015" thick, UV inhibited, chemically-resistant PVC (polyvinyl chloride)
- Flame spread rating is less than 25 per ASTM E-84 and is considered self-extinguishing

MVC20 is now available worldwide for any counterflow cooling tower, regardless of a cooling tower's age, design or manufacturer.

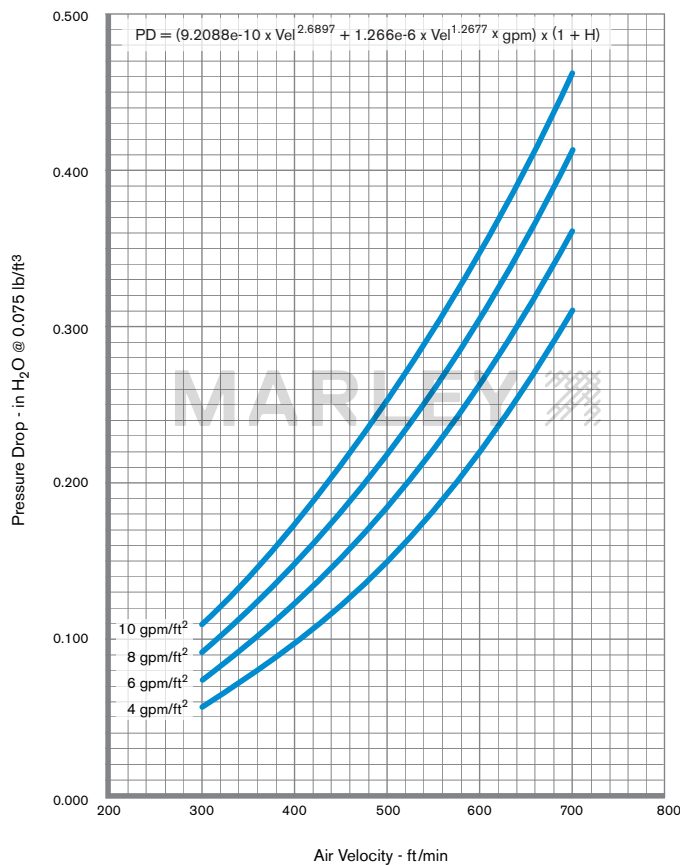
Contact your nearest Marley sales representative for more information. Locate your Marley sales representative at [spxcooling.com/relocator](http://spxcooling.com/relocator)

# Marley MVC20 Film Fill

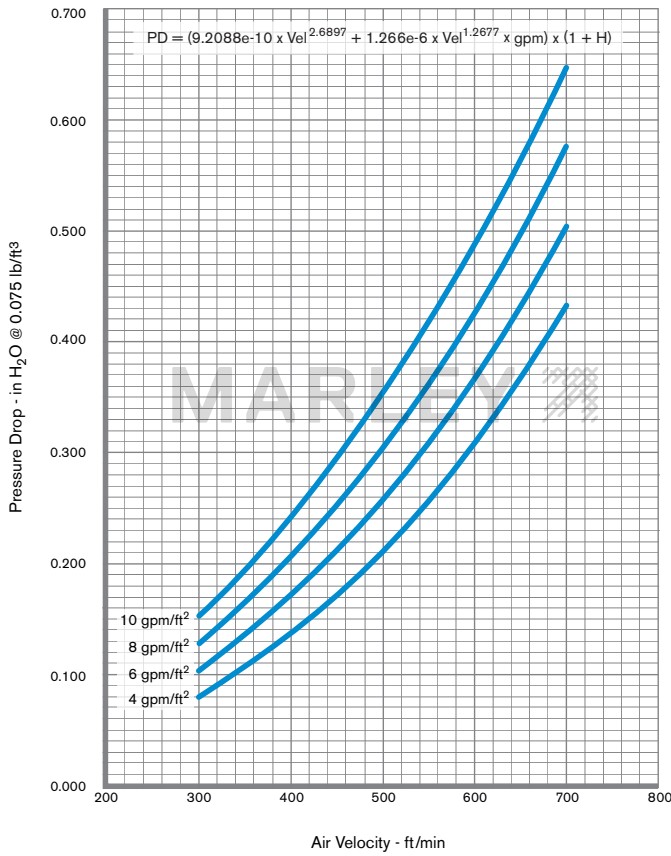


**KaV/L**

**Note** – Data is based on testing in a controlled environment with properly seasoned fill and results in application may deviate. SPX does not take responsibility for calculations to establish the size of the cooling tower.

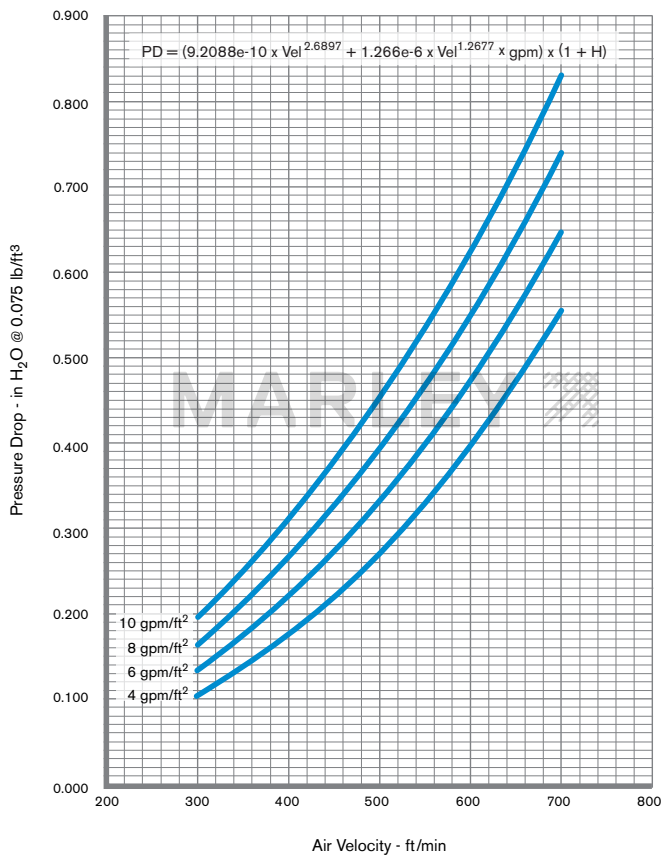


**Pressure Drop  
4'-0 Fill Height**



### Pressure Drop 6'-0 Fill Height

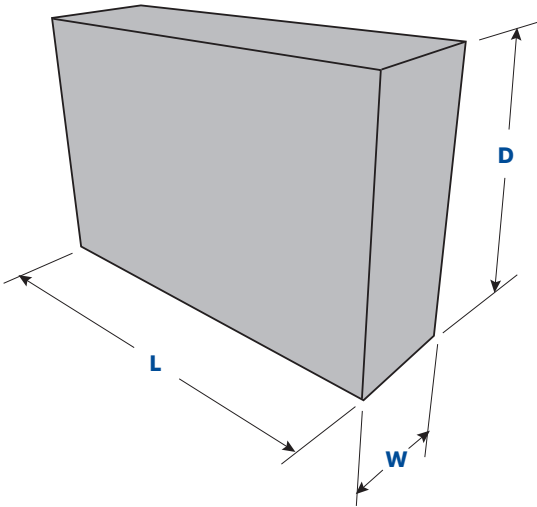
**Note** – Data is based on testing in a controlled environment with properly seasoned fill and results in application may deviate. SPX does not take responsibility for calculations to establish the size of the cooling tower.



### Pressure Drop 8'-0 Fill Height

**PROPERTIES**

Surface Area – 38 ft<sup>2</sup>/ft<sup>3</sup>      PVC Sheet Thickness Before Forming–15 mils (.015")  
 Sheet Spacing – .80"      Dry Weight –1.64 lb/ft<sup>3</sup>  
 Sheets per ft – 15



MVC20 Pack Dimensions			
	<b>L</b>	<b>W</b>	<b>D</b>
Standard	72"	24"	48"
Minimum	48"	1.6"	16"
Maximum	120"	24"	48"

**SUGGESTED SPECIFICATION**

The fill will be used in counterflow cooling towers.

**Construction and Materials**

The fill shall be film type, constructed of multiple sheets of thermoformed PVC. Each sheet shall contain a pattern of vertically channeled flat and corrugated surfaces to develop the necessary heat transfer capabilities.

The fill shall be designed to be bottom-supported with a minimum number of supports.

**Fill Depth (air travel)**

The fill depth shall be chosen to provide the proper thermal performance. To accommodate for various fill heights and/or desired duties, the fill may be installed in multiple layers.

**Note** – Data is based on testing in a controlled environment with properly seasoned fill and results in application may deviate. SPX does not take responsibility for calculations to establish the size of the cooling tower.



**SPX COOLING TECHNOLOGIES MALAYSIA SDN BHD**

UNIT 505, BLOCK B, PHILEO DAMANSARA 2  
 NO. 15 JALAN 16/11 OFF JALAN DAMANSARA  
 46350 PETALING JAYA, MALAYSIA  
 60 3 7947 7800 | th.my.enquiry@spx.com  
 spxcooling.com

sea\_SP-MVC20-B | ISSUED 1/2018  
 © 2018 SPX COOLING TECHNOLOGIES INC | ALL RIGHTS RESERVED  
 In the interest of technological progress, all products are subject to design and/or material change without notice.

